



Chipsmall Limited consists of a professional team with an average of over 10 year of expertise in the distribution of electronic components. Based in Hongkong, we have already established firm and mutual-benefit business relationships with customers from,Europe,America and south Asia,supplying obsolete and hard-to-find components to meet their specific needs.

With the principle of “Quality Parts,Customers Priority,Honest Operation,and Considerate Service”,our business mainly focus on the distribution of electronic components. Line cards we deal with include Microchip,ALPS,ROHM,Xilinx,Pulse,ON,Everlight and Freescale. Main products comprise IC,Modules,Potentiometer,IC Socket,Relay,Connector.Our parts cover such applications as commercial,industrial, and automotives areas.

We are looking forward to setting up business relationship with you and hope to provide you with the best service and solution. Let us make a better world for our industry!



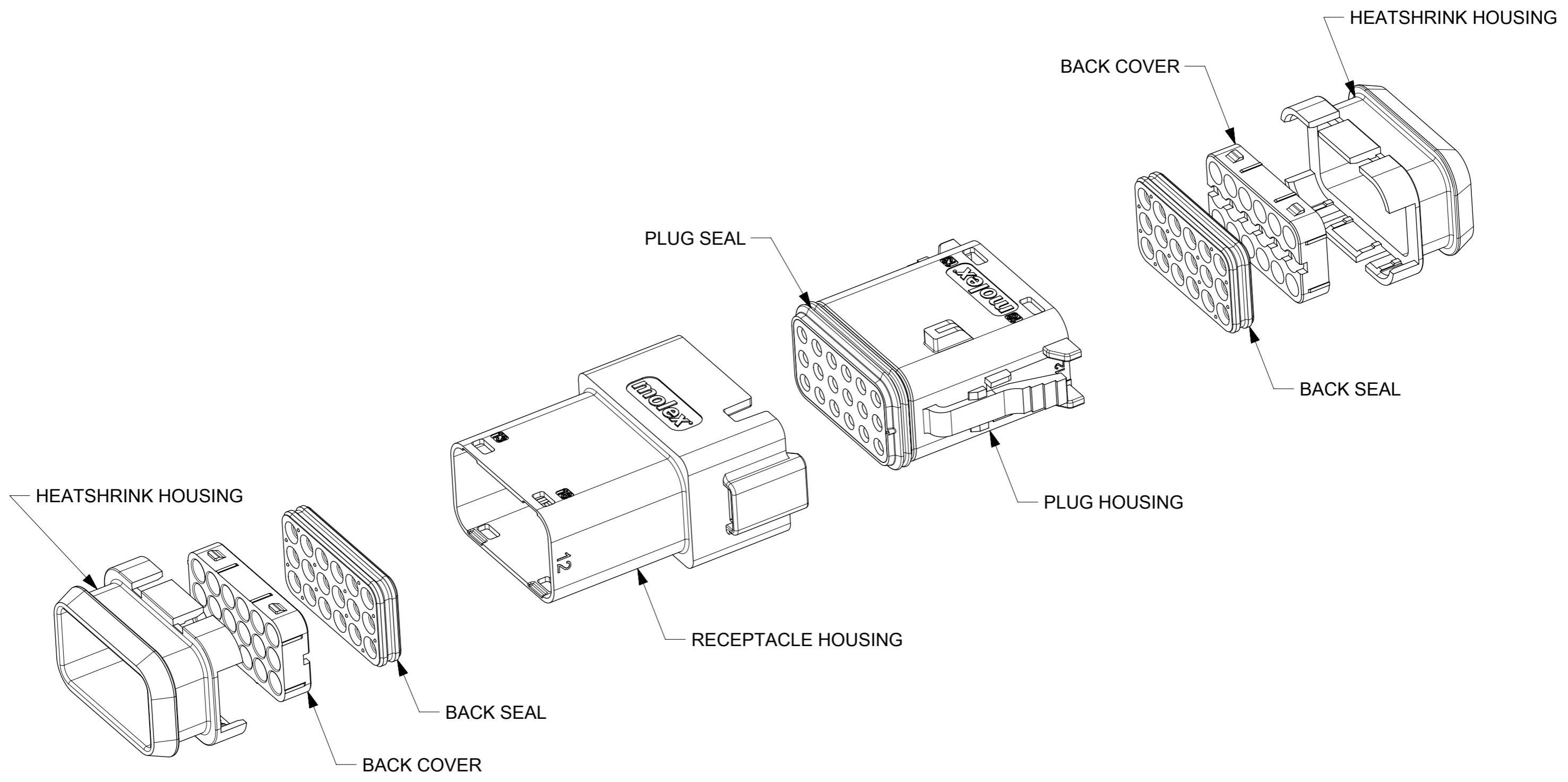
## Contact us

Tel: +86-755-8981 8866 Fax: +86-755-8427 6832

Email & Skype: info@chipsmall.com Web: www.chipsmall.com

Address: A1208, Overseas Decoration Building, #122 Zhenhua RD., Futian, Shenzhen, China

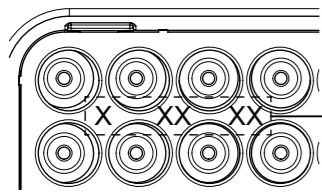
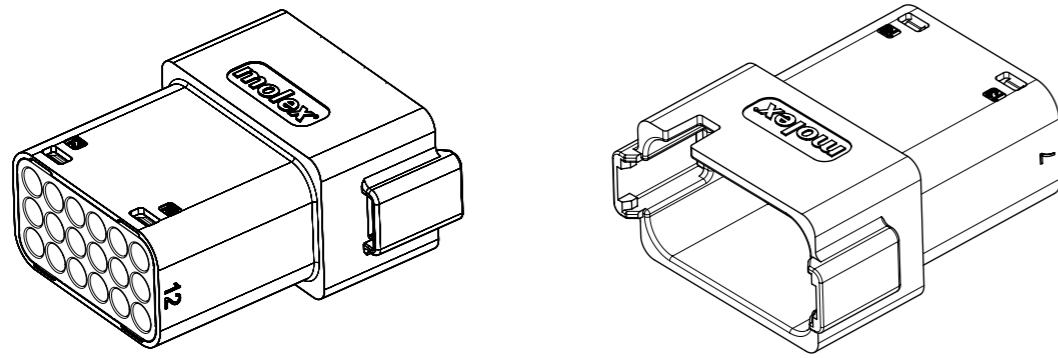




**NOTES**  
 1. SEE SHEETS 2 TO 7 FOR UNSPECIFIED NOTES, DIMENSIONS AND PART NUMBERS

THIS DRAWING CONTAINS INFORMATION THAT IS PROPRIETARY TO MOLEX ELECTRONIC TECHNOLOGIES, LLC AND SHOULD NOT BE USED WITHOUT WRITTEN PERMISSION													
<b>QUALITY SYMBOLS</b> ▽A = 0 ▽E = 0 ▽F = 0 ▼ = 0 ▽C = 0 ⊠ = 0 ■ = 0 ▽ = 0	EC NO: 102101 DRWN: JFLETCHER CHK'D: FDUGGAN APPR: JDWALLACE	2015/12/08 2016/01/08 2016/01/08	GENERAL TOLERANCES (UNLESS SPECIFIED)		DIMENSION UNITS	SCALE							
			ANGULAR TOL ± 2.0 °		MM	1.5:1							
			4 PLACES ±	DRWN BY		DATE		18CCT ML-XT CV CONNECTOR SYSTEM					
			3 PLACES ±	JFLETCHER		2015/12/08							
			2 PLACES ± 0.1	CHK'D BY		DATE		PRODUCT CUSTOMER DRAWING					
			1 PLACE ± 0.2	FDUGGAN		2016/01/08							
			0 PLACES ±	APPR BY		DATE		SERIES	MATERIAL NUMBER	CUSTOMER			
			DRAFT WHERE APPLICABLE MUST REMAIN WITHIN DIMENSIONS	JDWALLACE		2016/01/08		93443	SEE CHART	GENERAL MARKET			
				DRAWING SIZE		THIRD ANGLE PROJECTION		DOCUMENT NUMBER		DOC TYPE	DOC PART	SHEET NUMBER	
				A3				934430070		PSD	000	1 OF 7	

18CCT RECEPTACLE CONNECTOR



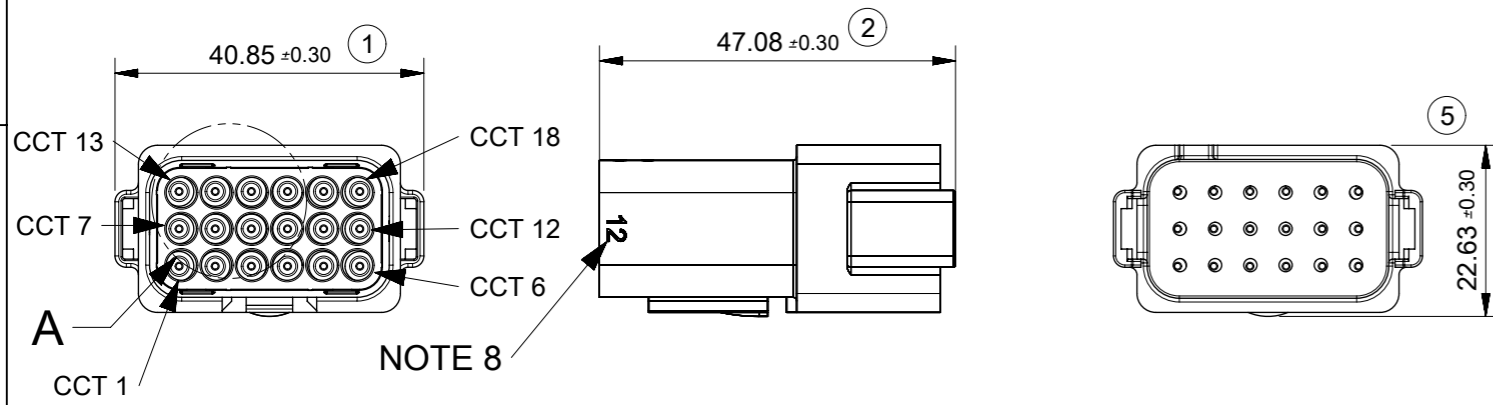
DETAIL A  
SCALE 2:1

DATE CODE: X XX XX  
X — DAY: 1- 7

X — WEEK: 01 - 52

X — YEAR: 00 - 99

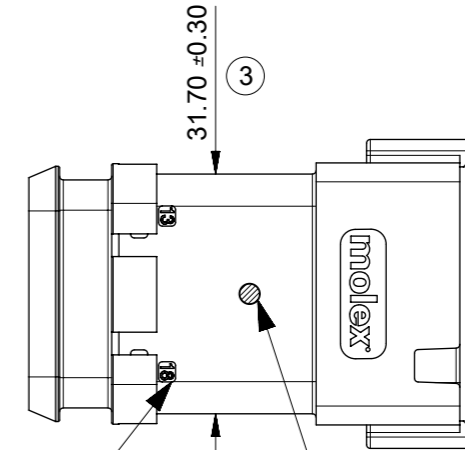
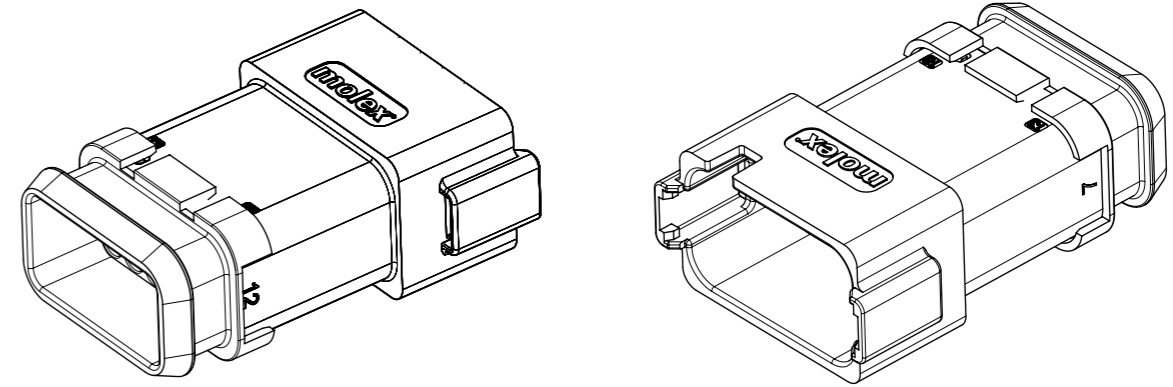
EXAMPLE: 11315 = DAY 1, WEEK 13, YEAR 15  
i.e. 23rd OF MARCH 2015



NOTE 8

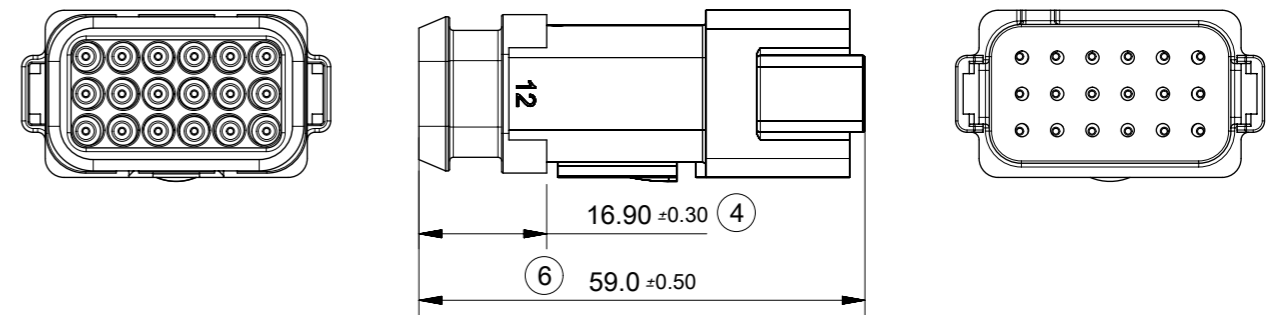
- NOTES**
- MATERIALS**  
HOUSING: NYLON 30% GF  
BACK SEAL: HIGH CONSISTENCY RUBBER
  - CIRCUIT IDENTIFICATION**
  - JACKET RANGE = Ø1.4MM TO 3.05MM**
  - SEE SHEET 3 FOR FINAL PART NUMBER DESIGNATION**
  - SEE 934430010 PS P FOR PRODUCT SPECIFICATION**
  - SEE 934430002 PS K OR 934430010 PS K FOR PACKAGING SPECIFICATION**
  - ASSEMBLY AID CHECK MARK.**
  - CIRCUIT ID NUMBERS "7" & "12" ON EITHER SIDE  
LAST INSPECTION NUMBER 6**

18CCT RECEPTACLE CONNECTOR WITH  
HEATSHRINK HOUSING ULTRASONICALLY  
WELDED IN PLACE

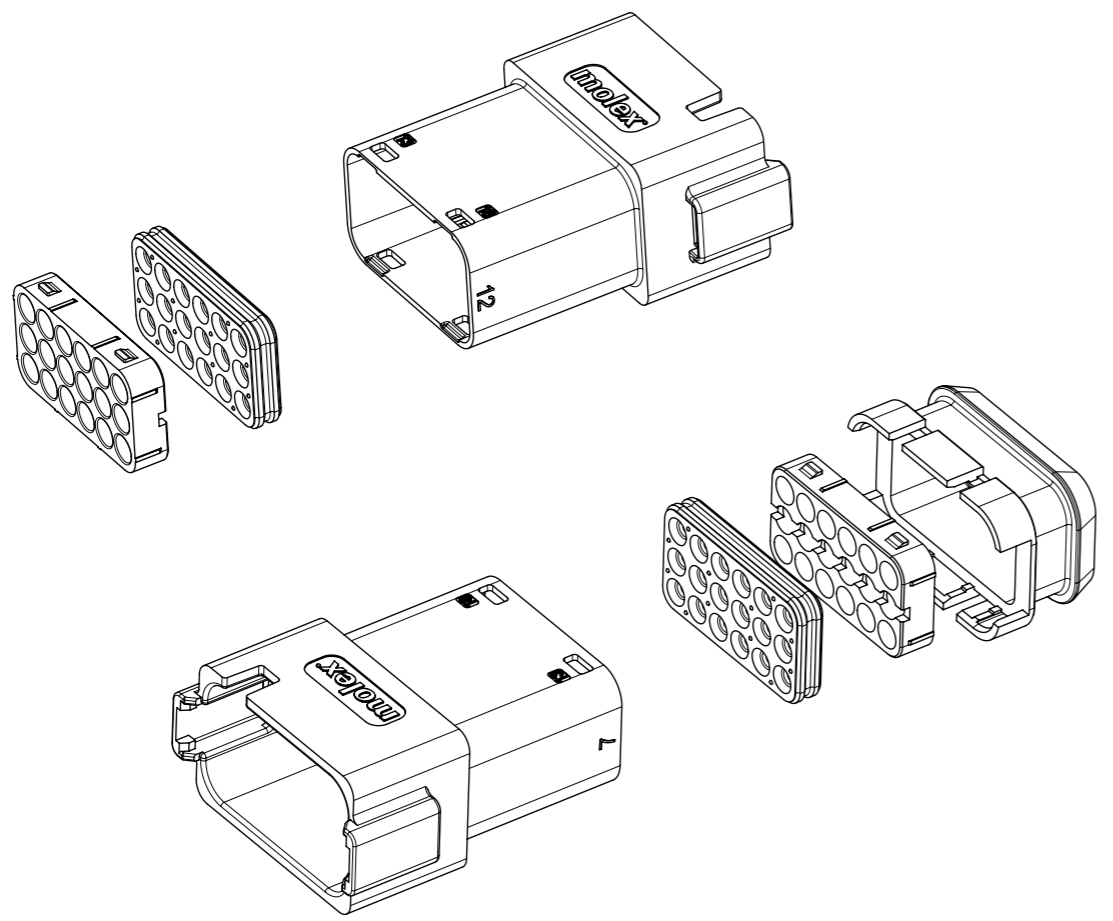
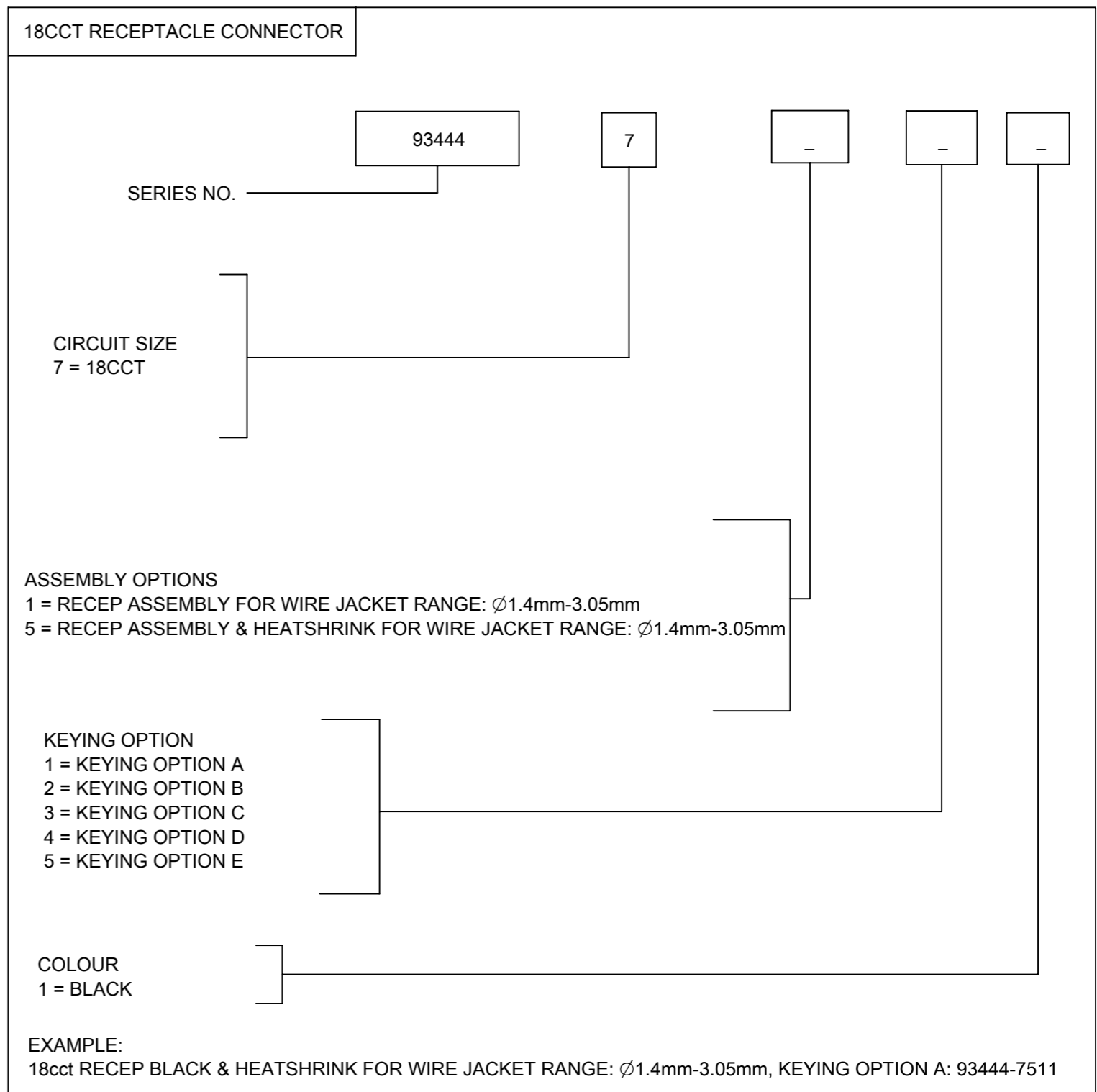


NOTE 2

NOTE 7



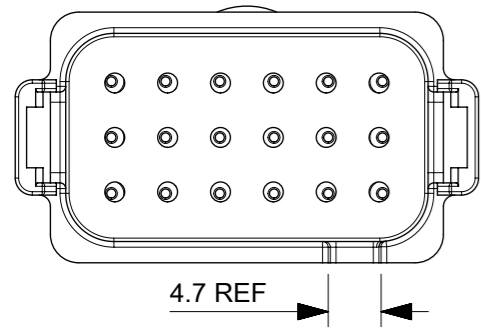
THIS DRAWING CONTAINS INFORMATION THAT IS PROPRIETARY TO MOLEX ELECTRONIC TECHNOLOGIES, LLC AND SHOULD NOT BE USED WITHOUT WRITTEN PERMISSION													
<b>QUALITY SYMBOLS</b> ▽A = 0 ▽E = 0 ▽F = 0 ▽ = 0 ▽C = 0 ▽X = 0 ▽ = 0 ▽ = 0	EC NO: 102101 DRWN: JFLETCHER CHK'D: FDUGGAN APPR: JDWALLACE	2015/12/08 2016/01/08 2016/01/08		GENERAL TOLERANCES (UNLESS SPECIFIED) ANGULAR TOL ± 2.0 °		DIMENSION UNITS: MM SCALE: 1:1							
		4 PLACES ± 3 PLACES ± 2 PLACES ± 0.1 1 PLACE ± 0.2 0 PLACES ±		DRAFT WHERE APPLICABLE MUST REMAIN WITHIN DIMENSIONS		DRAWING SIZE: A3 THIRD ANGLE PROJECTION						18CCT ML-XT CV CONNECTOR SYSTEM	
		PRODUCT CUSTOMER DRAWING								SERIES: 93443 MATERIAL NUMBER: SEE CHART CUSTOMER: GENERAL MARKET			
		DOCUMENT NUMBER: 934430070								DOC TYPE: PSD DOC PART: 000 SHEET NUMBER: 2 OF 7			
		RELEASE STATUS: P1 RELEASE DATE: 08.01.2016 16:05:17											



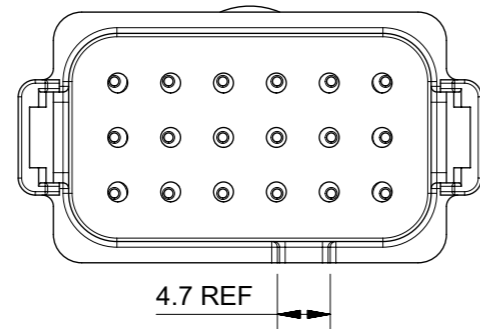
**NOTES**  
 1. SEE SHEET 2 FOR UNSPECIFIED NOTES AND DIMENSIONS

<b>QUALITY SYMBOLS</b> ▽A = 0 ▽E = 0 ▽F = 0 ▼ = 0 ▽C = 0 ⊗ = 0 ■ = 0 ▽ = 0	THIS DRAWING CONTAINS INFORMATION THAT IS PROPRIETARY TO MOLEX ELECTRONIC TECHNOLOGIES, LLC AND SHOULD NOT BE USED WITHOUT WRITTEN PERMISSION											
	EC NO: 102101 DRWN: JFLETCHER CHK'D: FDUGGAN REV APPR: JDWALLACE	2015/12/08 2016/01/08 2016/01/08		<b>GENERAL TOLERANCES (UNLESS SPECIFIED)</b> ANGULAR TOL ± 2.0 °		DIMENSION UNITS <b>MM</b>		SCALE <b>1:1</b>				
		4 PLACES ±		DRWN BY <b>JFLETCHER</b>		DATE <b>2015/12/08</b>		<b>18CCT ML-XT CV CONNECTOR SYSTEM</b>				
		3 PLACES ±		CHK'D BY <b>FDUGGAN</b>		DATE <b>2016/01/08</b>						
		2 PLACES ± 0.1		APPR BY <b>JDWALLACE</b>		DATE <b>2016/01/08</b>				<b>PRODUCT CUSTOMER DRAWING</b>		
		1 PLACE ± 0.2		DRAWING SIZE <b>A3</b>		THIRD ANGLE PROJECTION 				SERIES <b>93443</b>		MATERIAL NUMBER <b>SEE CHART</b>
	0 PLACES ±		DRAFT WHERE APPLICABLE MUST REMAIN WITHIN DIMENSIONS		DOCUMENT NUMBER <b>934430070</b>		DOC TYPE <b>PSD</b>		DOC PART <b>000</b>		SHEET NUMBER <b>3 OF 7</b>	

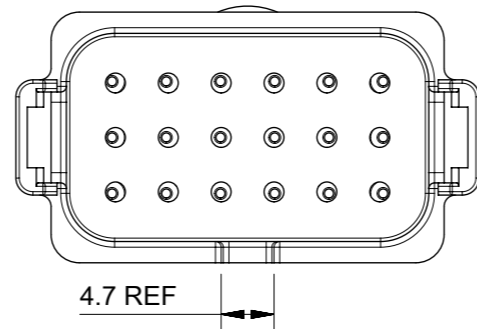
KEYING OPTION A



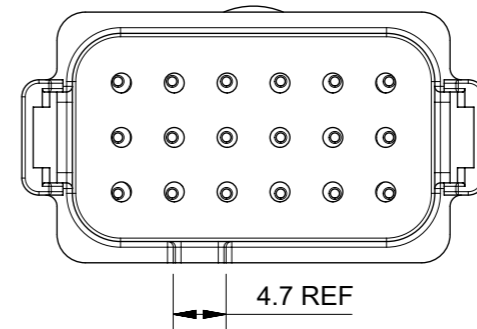
KEYING OPTION B



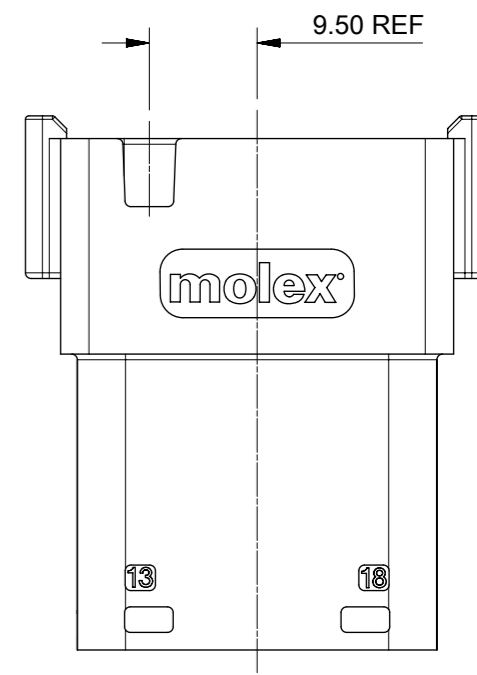
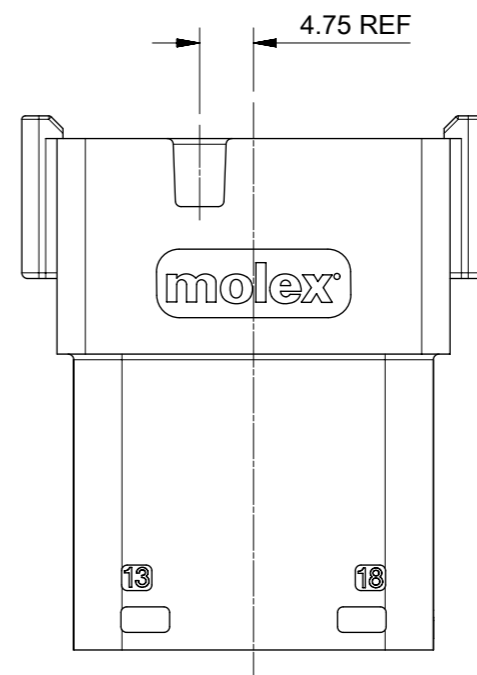
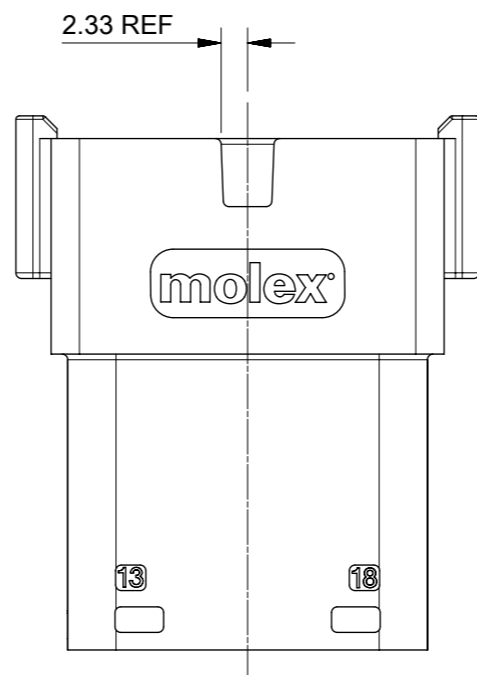
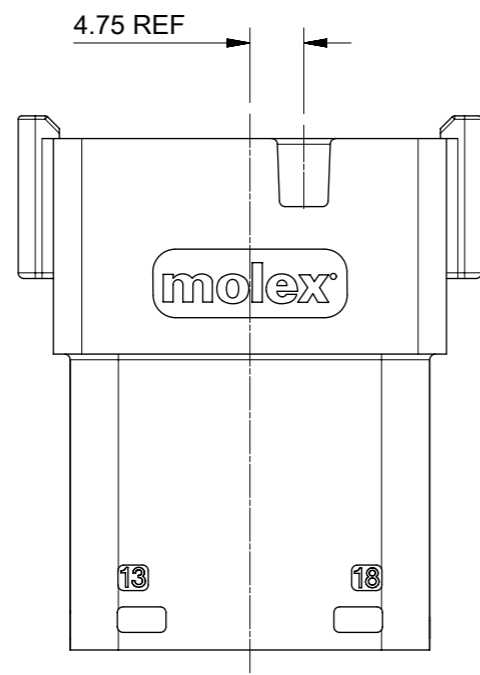
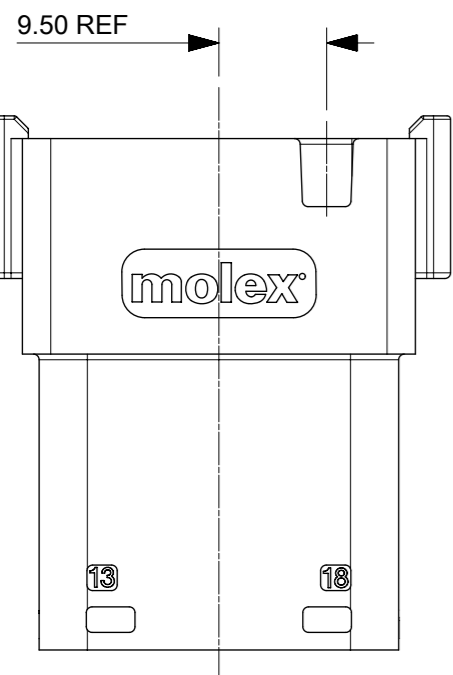
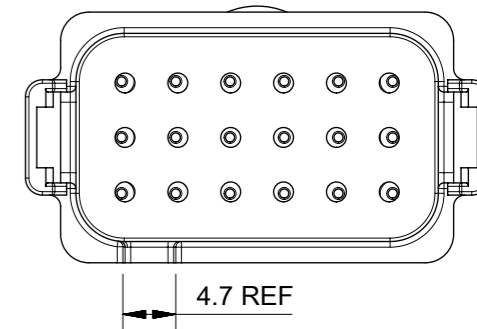
KEYING OPTION C



KEYING OPTION D



KEYING OPTION E



**NOTES**  
1. SEE SHEETS 2 & 3 FOR UNSPECIFIED NOTES AND DIMENSIONS

QUALITY SYMBOLS	
	= 0
	= 0
	= 0
	= 0
	= 0
	= 0
	= 0
	= 0
	= 0

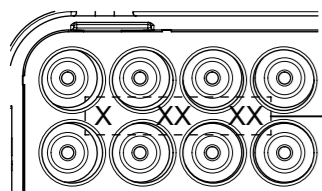
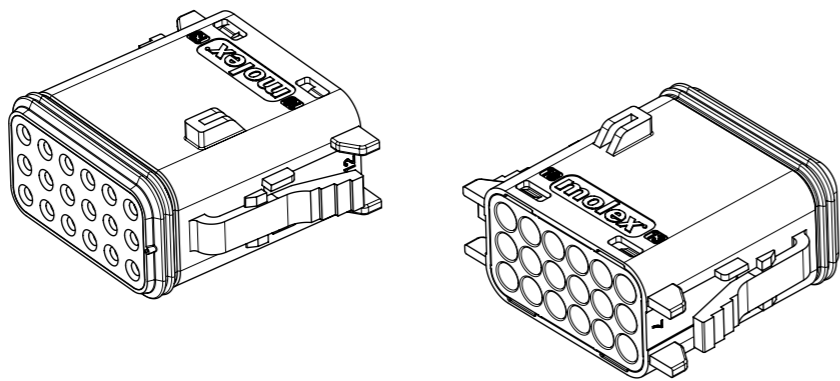
THIS DRAWING CONTAINS INFORMATION THAT IS PROPRIETARY TO MOLEX ELECTRONIC TECHNOLOGIES, LLC AND SHOULD NOT BE USED WITHOUT WRITTEN PERMISSION

EC NO: 102101 DRWN: JFLETCHER CHK'D: FDUGGAN REV APPR: JDWALLACE	2015/12/08	2016/01/08	2016/01/08
	GENERAL TOLERANCES (UNLESS SPECIFIED) ANGULAR TOL ± 2.0 °		
	4 PLACES	±	
	3 PLACES	±	
	2 PLACES	± 0.1	
1 PLACE	± 0.2		
0 PLACES	±		
DRAFT WHERE APPLICABLE MUST REMAIN WITHIN DIMENSIONS			

DIMENSION UNITS	SCALE
MM	1.5:1
DRWN BY	DATE
JFLETCHER	2015/12/08
CHK'D BY	DATE
FDUGGAN	2016/01/08
APPR BY	DATE
JDWALLACE	2016/01/08
DRAWING SIZE	THIRD ANGLE PROJECTION
A3	

<b>molex</b>			
18CCT ML-XT CV CONNECTOR SYSTEM			
PRODUCT CUSTOMER DRAWING			
SERIES	MATERIAL NUMBER	CUSTOMER	
93443	SEE CHART	GENERAL MARKET	
DOCUMENT NUMBER		DOC TYPE	DOC PART SHEET NUMBER
934430070		PSD	000 4 OF 7

18CCT PLUG CONNECTOR

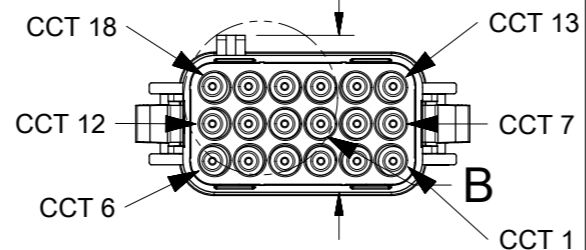
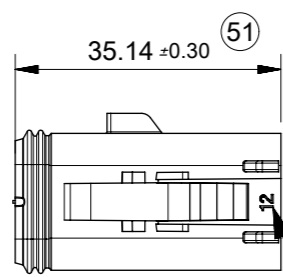
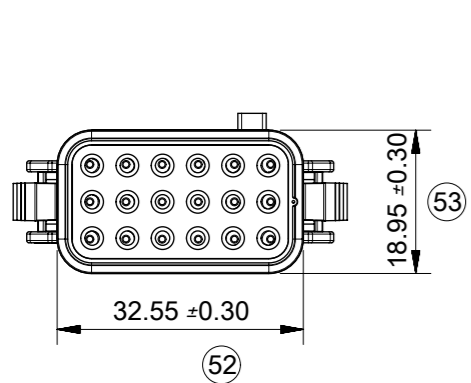


DETAIL B  
SCALE 2:1

DATE CODE: X XX XX  
X — DAY: 1- 7

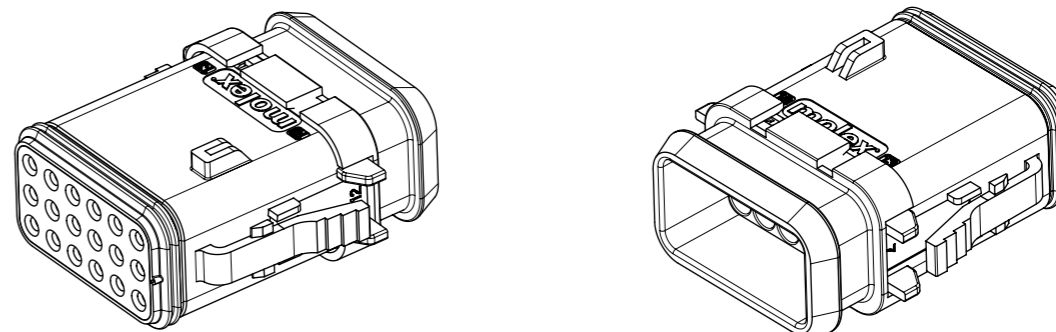
X — WEEK: 01 - 52  
X — YEAR: 00 - 99

EXAMPLE: 11315 = DAY 1, WEEK 13, YEAR 15  
i.e. 23rd OF MARCH 2015



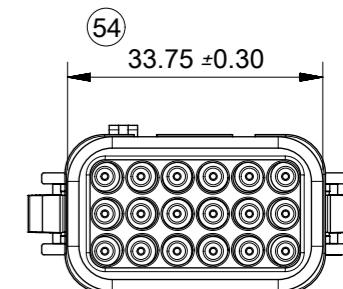
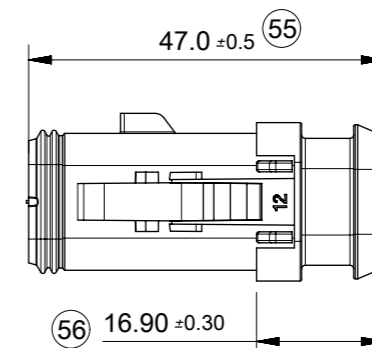
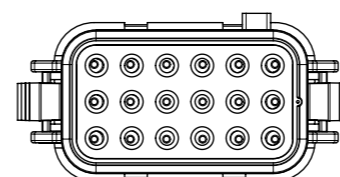
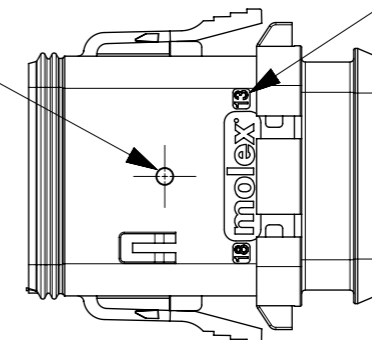
NOTE 6

18CCT PLUG CONNECTOR WITH  
HEATSHRINK HOUSING ULTRASONICALLY  
WELDED IN PLACE



NOTE 5

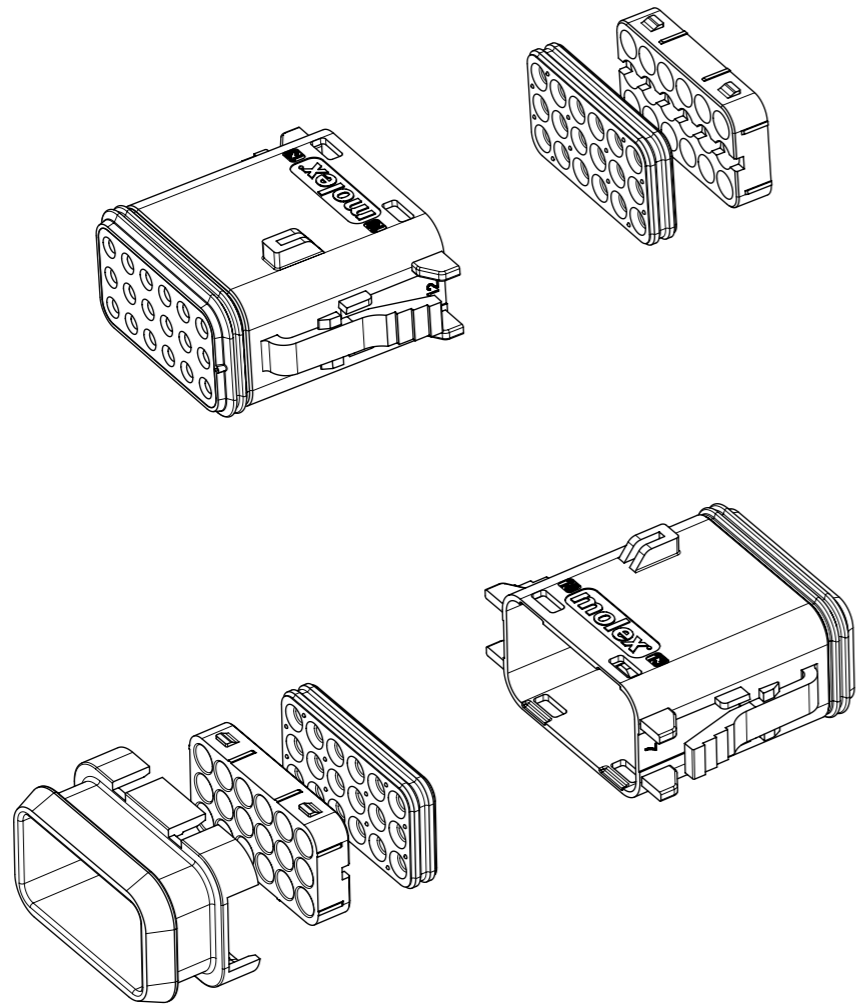
NOTE 2



NOTES

- MATERIALS  
HOUSING: NYLON 30% GF  
BACK SEAL: HIGH CONSISTENCY RUBBER  
PLUG SEAL: SILICONE RUBBER
- CIRCUIT IDENTIFICATION
- JACKET RANGE = Ø1.4MM TO 3.05MM
- SEE SHEET 6 FOR FINAL PART NUMBER DESIGNATION
- REFERENCE ASSEMBLY AID CHECK MARK
- CIRCUIT ID NUMBERS "7" & "12" ON EITHER SIDE  
LAST INSPECTION NUMBER 56

THIS DRAWING CONTAINS INFORMATION THAT IS PROPRIETARY TO MOLEX ELECTRONIC TECHNOLOGIES, LLC AND SHOULD NOT BE USED WITHOUT WRITTEN PERMISSION									
QUALITY SYMBOLS	2015/12/08 2016/01/08 2016/01/08	GENERAL TOLERANCES (UNLESS SPECIFIED)		DIMENSION UNITS	SCALE				
		4 PLACES ±	3 PLACES ±	MM	1:1				
▽ = 0	EC NO: 102101 DRWN: JFLETCHER CHK'D: FDUGGAN APPR: JDWALLACE	ANGULAR TOL ± 2.0 °	2 PLACES ± 0.1	DRWN BY	DATE	18CCT ML-XT CV CONNECTOR SYSTEM			
▽ = 0		1 PLACE ± 0.2	JFLETCHER	2015/12/08					
▽ = 0		0 PLACES ±	CHK'D BY	DATE	PRODUCT CUSTOMER DRAWING				
▽ = 0		DRAFT WHERE APPLICABLE MUST REMAIN WITHIN DIMENSIONS	FDUGGAN	2016/01/08					
▽ = 0			APPR BY	DATE	SERIES	MATERIAL NUMBER	CUSTOMER		
▽ = 0			JDWALLACE	2016/01/08	93443	SEE CHART	GENERAL MARKET		
▽ = 0		DRAWING SIZE	THIRD ANGLE PROJECTION	DOCUMENT NUMBER		DOC TYPE	DOC PART	SHEET NUMBER	
		A3		934430070		PSD	000	5 OF 7	



18CCT PLUG CONNECTOR

SERIES NO. 93445

CIRCUIT SIZE  
7 = 18CCT

ASSEMBLY OPTIONS

- 1 = PLUG ASSEMBLY FOR WIRE JACKET RANGE:  $\varnothing$ 1.4mm-3.05mm
- 5 = PLUG ASSEMBLY & HEATSHRINK FOR WIRE JACKET RANGE:  $\varnothing$ 1.4mm-3.05mm

KEYING OPTION

- 1 = KEYING OPTION A
- 2 = KEYING OPTION B
- 3 = KEYING OPTION C
- 4 = KEYING OPTION D
- 5 = KEYING OPTION E

COLOUR  
1 = BLACK

EXAMPLE:

18cct PLUG BLACK & HEATSHRINK FOR WIRE JACKET RANGE:  $\varnothing$ 1.4mm-3.05mm, KEYING OPTION A: 93445-7511

NOTES  
1. SEE SHEET 5 FOR UNSPECIFIED NOTES AND DIMENSIONS

<p>QUALITY SYMBOLS</p> <p>▽A = 0</p> <p>▽E = 0</p> <p>▽F = 0</p> <p>▼ = 0</p> <p>▽C = 0</p> <p>⊗ = 0</p> <p>■ = 0</p> <p>▽ = 0</p>	THIS DRAWING CONTAINS INFORMATION THAT IS PROPRIETARY TO MOLEX ELECTRONIC TECHNOLOGIES, LLC AND SHOULD NOT BE USED WITHOUT WRITTEN PERMISSION										
	<p>2015/12/08</p> <p>2016/01/08</p> <p>2016/01/08</p>	GENERAL TOLERANCES (UNLESS SPECIFIED)		DIMENSION UNITS	SCALE						
		ANGULAR TOL ± 2.0 °		MM	1:1						
		<p>EC NO: 102101</p> <p>DRWN: JFLETCHER</p> <p>CHK'D: FDUGGAN</p> <p>REV APPR: JDWALLACE</p>	4 PLACES ±	DRWN BY	DATE	<p>18CCT ML-XT CV CONNECTOR SYSTEM</p>					
			3 PLACES ±	JFLETCHER	2015/12/08						
			2 PLACES ± 0.1	CHK'D BY	DATE						
	1 PLACE ± 0.2	FDUGGAN	2016/01/08	<p>PRODUCT CUSTOMER DRAWING</p>							
	0 PLACES ±	APPR BY	DATE								
	DRAFT WHERE APPLICABLE MUST REMAIN WITHIN DIMENSIONS		JDWALLACE	2016/01/08	SERIES	MATERIAL NUMBER	CUSTOMER				
			DRAWING SIZE	THIRD ANGLE PROJECTION	93443	SEE CHART	GENERAL MARKET				
		A3		DOCUMENT NUMBER		DOC TYPE	DOC PART	SHEET NUMBER			
				934430070	PSD	000	6 OF 7				

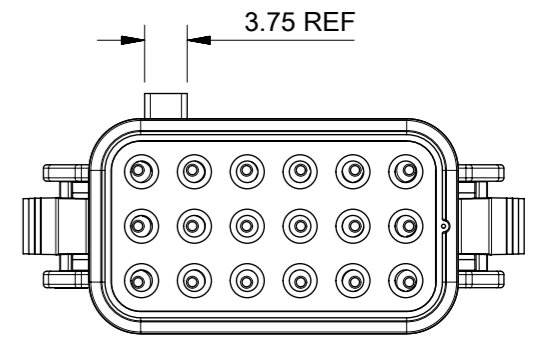
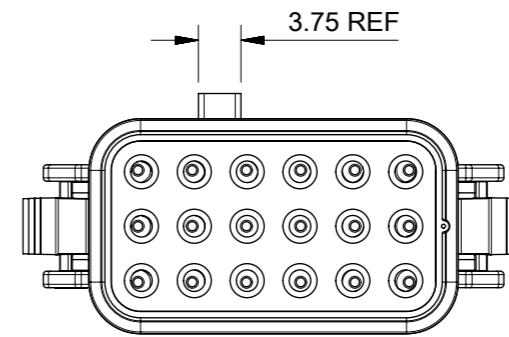
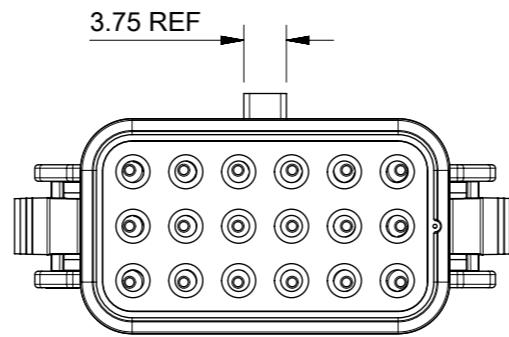
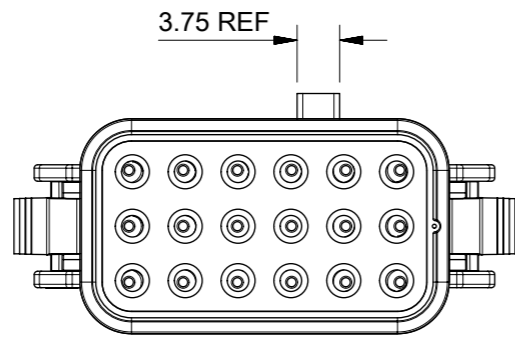
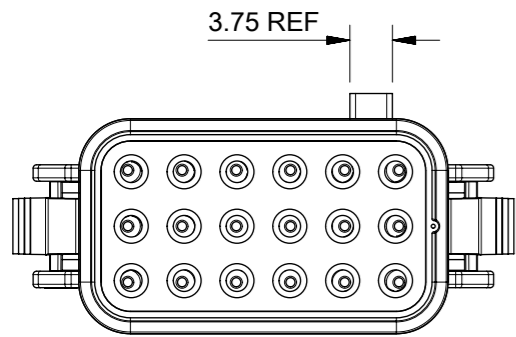
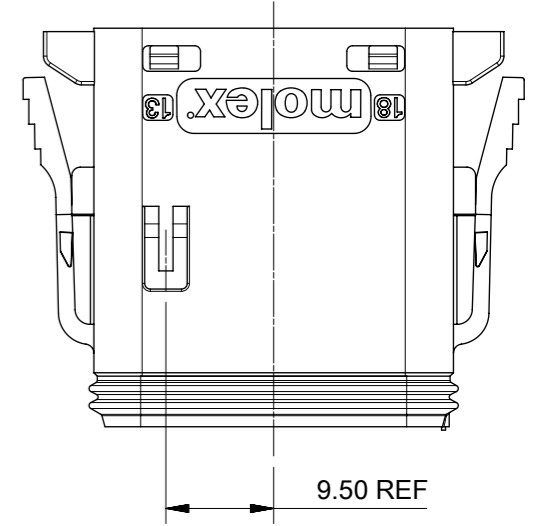
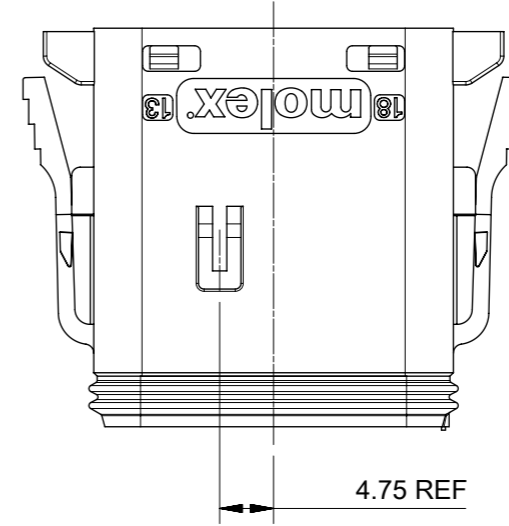
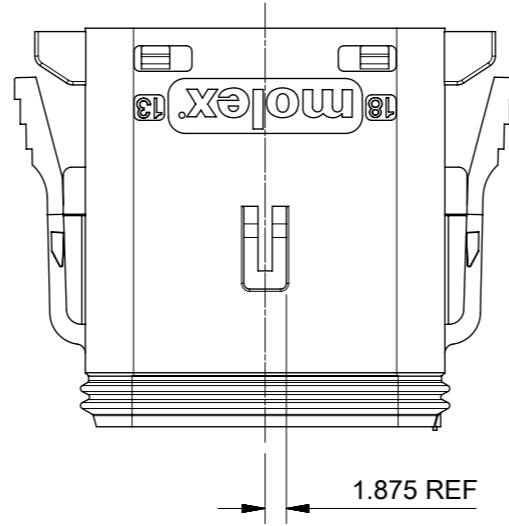
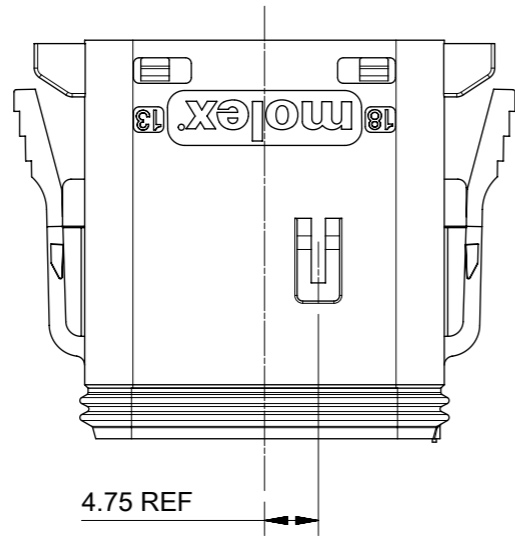
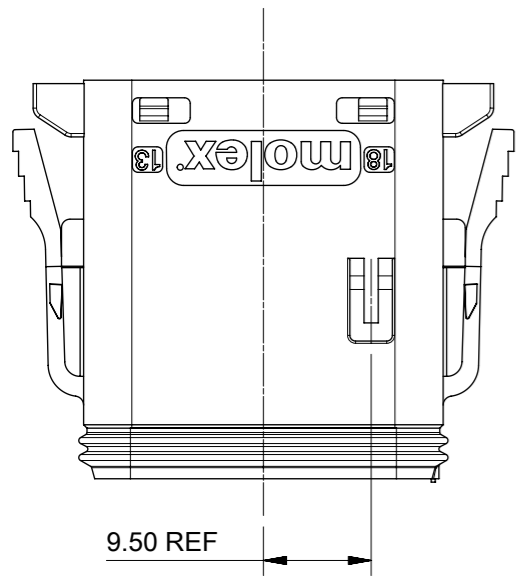
KEYING OPTION A

KEYING OPTION B

KEYING OPTION C

KEYING OPTION D

KEYING OPTION E



NOTES:  
1. SEE SHEETS 5 & 6 FOR UNSPECIFIED NOTES AND DIMENSIONS

QUALITY SYMBOLS	
	= 0
	= 0
	= 0
	= 0
	= 0
	= 0
	= 0
	= 0
	= 0

THIS DRAWING CONTAINS INFORMATION THAT IS PROPRIETARY TO MOLEX ELECTRONIC TECHNOLOGIES, LLC AND SHOULD NOT BE USED WITHOUT WRITTEN PERMISSION

EC NO: 102101 DRWN: JFLETCHER CHK'D: FDUGGAN REV APPR: JDWALLACE	2015/12/08	GENERAL TOLERANCES (UNLESS SPECIFIED) ANGULAR TOL ± 2.0 ° 4 PLACES ± 3 PLACES ± 2 PLACES ± 0.1 1 PLACE ± 0.2 0 PLACES ± DRAFT WHERE APPLICABLE MUST REMAIN WITHIN DIMENSIONS	DIMENSION UNITS	SCALE
	2016/01/08		MM	1.5:1
	2016/01/08		DRWN BY	DATE
			JFLETCHER	2015/12/08
			CHK'D BY	DATE
	FDUGGAN	2016/01/08		
	APPR BY	DATE		
	JDWALLACE	2016/01/08	DRAWING SIZE	THIRD ANGLE PROJECTION
			A3	

<b>molex</b>			
18CCT ML-XT CV CONNECTOR SYSTEM			
PRODUCT CUSTOMER DRAWING			
SERIES	MATERIAL NUMBER	CUSTOMER	
93443	SEE CHART	GENERAL MARKET	
DOCUMENT NUMBER		DOC TYPE	DOC PART
934430070		PSD	000
		DOC PART	SHEET NUMBER
		000	7 OF 7