



Chipsmall Limited consists of a professional team with an average of over 10 year of expertise in the distribution of electronic components. Based in Hongkong, we have already established firm and mutual-benefit business relationships with customers from,Europe,America and south Asia,supplying obsolete and hard-to-find components to meet their specific needs.

With the principle of "Quality Parts,Customers Priority,Honest Operation,and Considerate Service",our business mainly focus on the distribution of electronic components. Line cards we deal with include Microchip,ALPS,ROHM,Xilinx,Pulse,ON,Everlight and Freescale. Main products comprise IC,Modules,Potentiometer,IC Socket,Relay,Connector.Our parts cover such applications as commercial,industrial, and automotives areas.

We are looking forward to setting up business relationship with you and hope to provide you with the best service and solution. Let us make a better world for our industry!



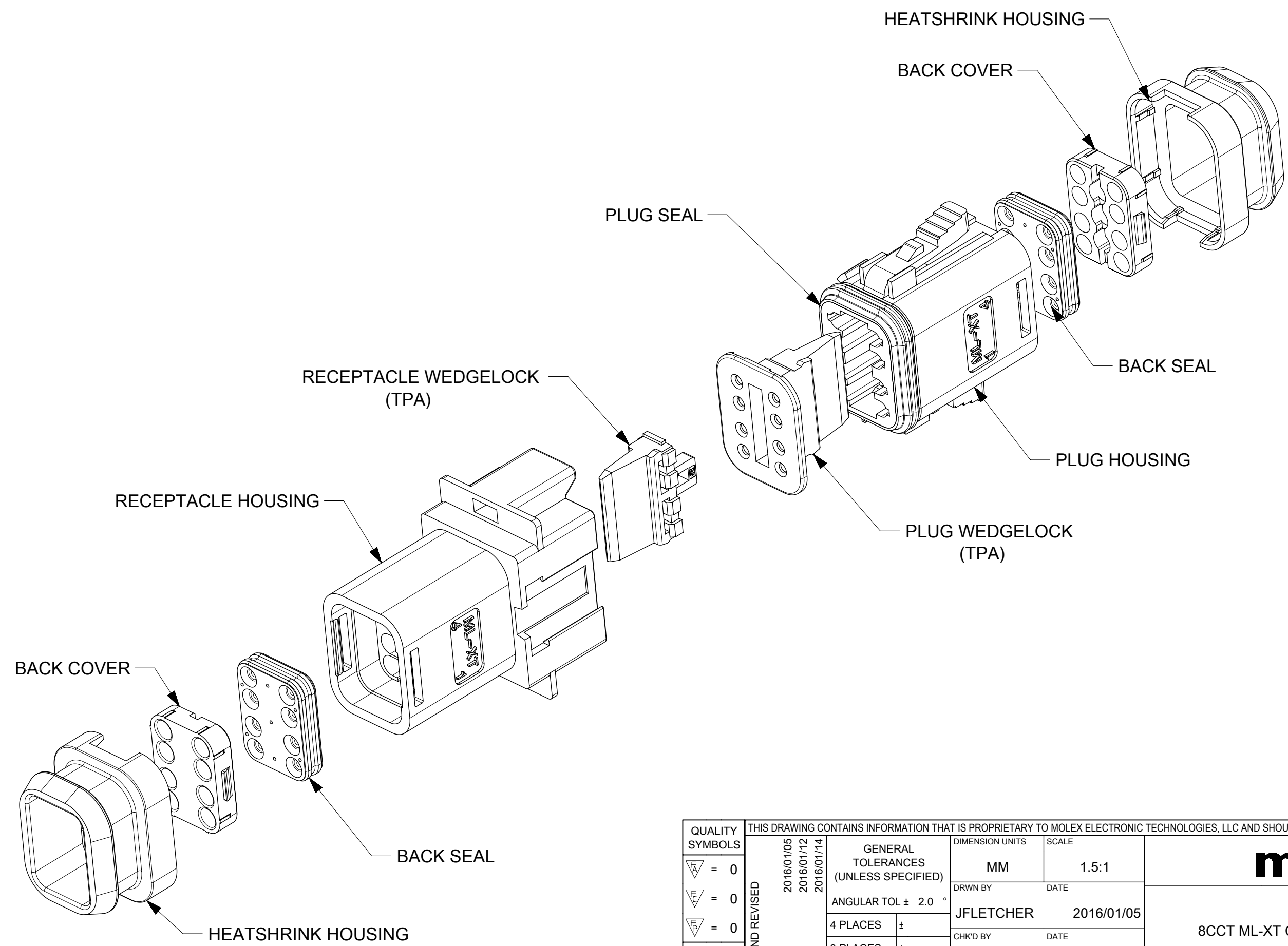
Contact us

Tel: +86-755-8981 8866 Fax: +86-755-8427 6832

Email & Skype: info@chipsmall.com Web: www.chipsmall.com

Address: A1208, Overseas Decoration Building, #122 Zhenhua RD., Futian, Shenzhen, China

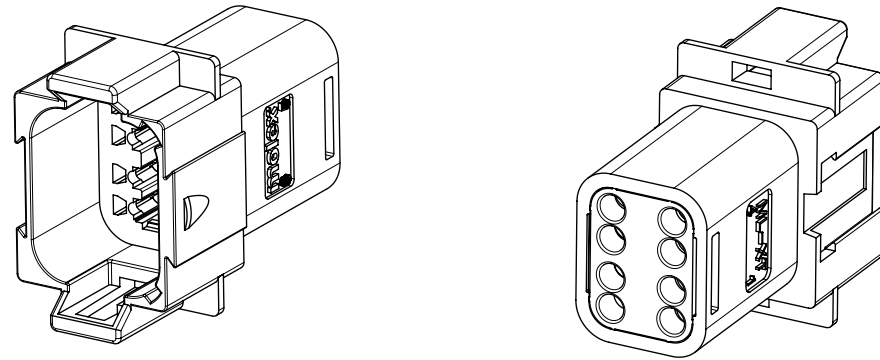




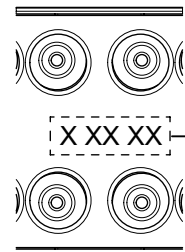
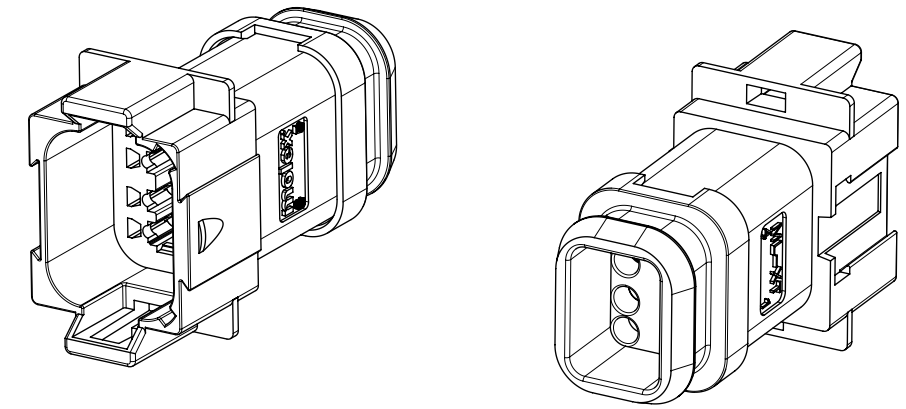
NOTES:
 1. SEE SHEETS 2 - 9 FOR UNSPECIFIED NOTES, DIMENSIONS & PART NUMBERS

THIS DRAWING CONTAINS INFORMATION THAT IS PROPRIETARY TO MOLEX ELECTRONIC TECHNOLOGIES, LLC AND SHOULD NOT BE USED WITHOUT WRITTEN PERMISSION												
QUALITY SYMBOLS	REDRAWN AND REVISED EC NO: 102137 DRWN: JFLETCHER CHK'D: FDUGGAN APPR: JDWALLACE	GENERAL TOLERANCES (UNLESS SPECIFIED)		DIMENSION UNITS	SCALE							
		ANGULAR TOL ± 2.0 °		MM	1.5:1							
▽A = 0	EC NO: 102137 DRWN: JFLETCHER CHK'D: FDUGGAN APPR: JDWALLACE	4 PLACES ±	DATE	JFLETCHER	2016/01/05	8CCT ML-Xt CV CONNECTOR SYSTEM						
▽E = 0		3 PLACES ±		DATE	FDUGGAN							2016/01/12
▽F = 0		2 PLACES ± 0.1	DATE	JDWALLACE	2016/01/14	PRODUCT CUSTOMER DRAWING						
▼ = 0		1 PLACE ± 0.2	DATE	SERIES			MATERIAL NUMBER			CUSTOMER		
▽C = 0		0 PLACES ±	DATE	93443			SEE NOTES			GENERAL MARKET		
⊗ = 0		DRAFT WHERE APPLICABLE MUST REMAIN WITHIN DIMENSIONS		DRAWING SIZE	THIRD ANGLE PROJECTION		DOCUMENT NUMBER			DOC TYPE	DOC PART	SHEET NUMBER
■ = 0	A	REV	A3			934430050			PSD	000	1 OF 9	
▽ = 0												

8CCT RECEPTACLE CONNECTOR



8CCT RECEPTACLE CONNECTOR WITH HEATSHRINK HOUSING ULTRASONICALLY WELDED IN PLACE

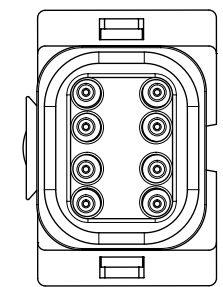
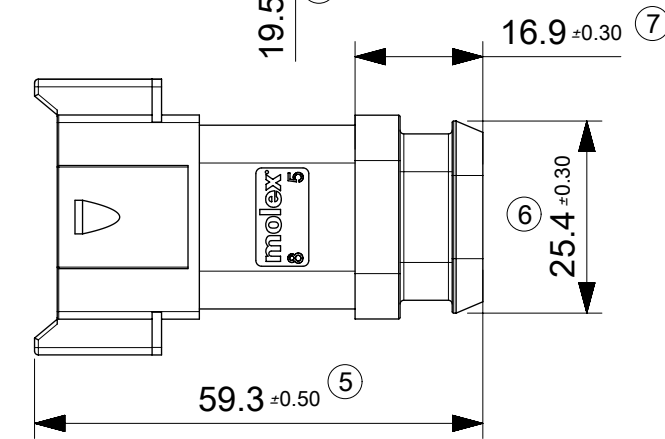
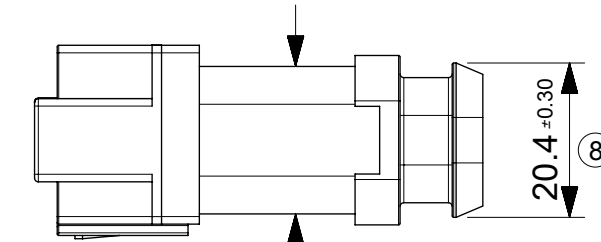
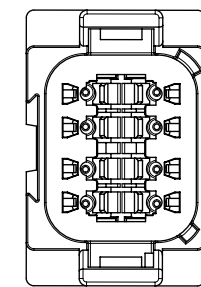
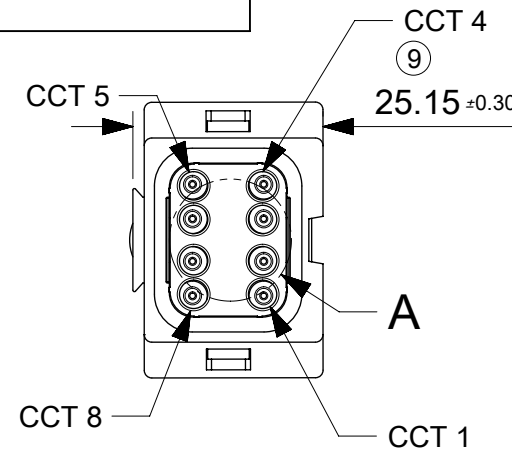
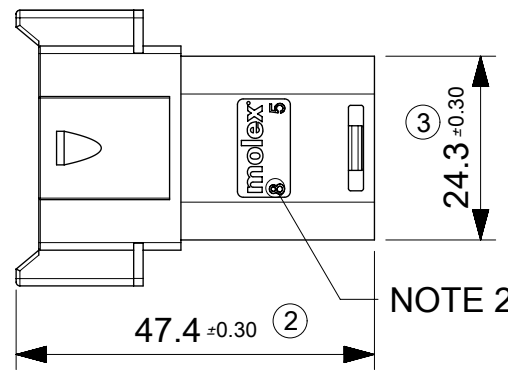
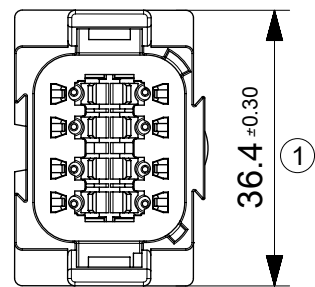


DETAIL A
SCALE 2:1

DATE CODE: X XX XX
X — DAY: 1- 7

X — WEEK: 01 - 52
X — YEAR: 00 - 99

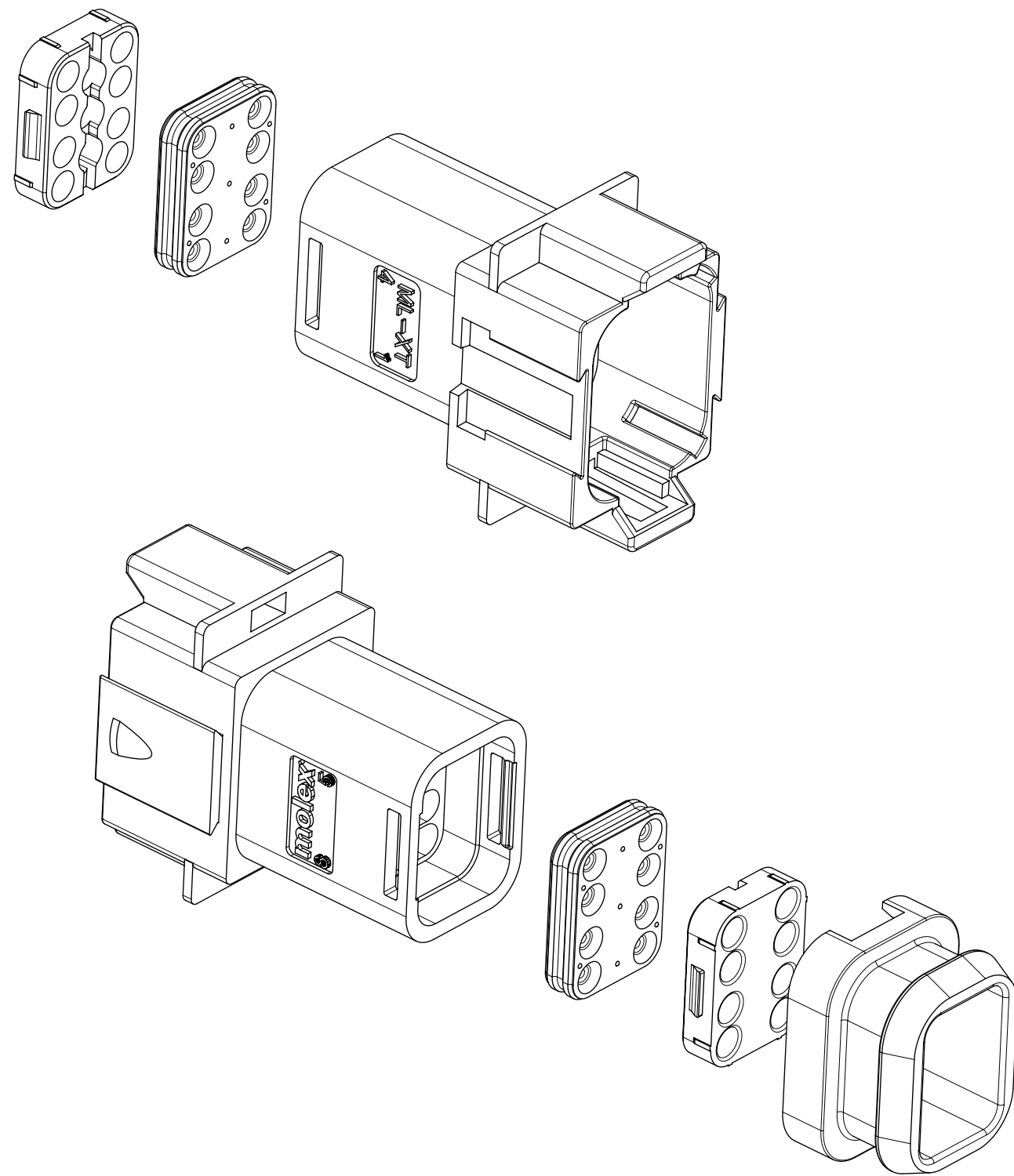
EXAMPLE: 11315 = DAY 1, WEEK 13, YEAR 15
i.e. 23rd OF MARCH 2015



NOTES

- MATERIAL
HOUSING: NYLON 30% GF
BACK SEAL: HIGH CONSISTENCY RUBBER
 - CIRCUIT IDENTIFICATION
 - JACKET RANGE LARGE = Ø2.7MM TO 3.6MM (SEAL COLOUR: LIGHT BLUE)
JACKET RANGE SMALL = Ø1.4MM TO 2.7MM (SEAL COLOUR: BURNT ORANGE)
 - SEE SHEET 3 FOR FINAL PART NUMBER DESIGNATION
 - SEE 934430010 PS P FOR PRODUCT SPECIFICATION
 - SEE 934430002 PS K OR 934430010 PS K FOR PACKAGING SPECIFICATION
- INSPECTION NUMBERS 1-50 RESERVED FOR SHEET 2
LAST INSPECTION NUMBER: 9

THIS DRAWING CONTAINS INFORMATION THAT IS PROPRIETARY TO MOLEX ELECTRONIC TECHNOLOGIES, LLC AND SHOULD NOT BE USED WITHOUT WRITTEN PERMISSION																							
QUALITY SYMBOLS	REDRAWN AND REVISED	EC NO: 102137	DRWN: JFLETCHER	CHK'D: FDUGGAN	APPR: JDWALLACE	2016/01/05	2016/01/12	2016/01/14	GENERAL TOLERANCES (UNLESS SPECIFIED)		DIMENSION UNITS		SCALE										
									ANGULAR TOL ± 2.0 °		MM	1:1											
▽A = 0	▽E = 0	▽F = 0	▽ = 0	▽C = 0	▽X = 0	▽ = 0	▽ = 0	▽ = 0	DRAFT WHERE APPLICABLE MUST REMAIN WITHIN DIMENSIONS		DRAWING SIZE		THIRD ANGLE PROJECTION										
4 PLACES ±	3 PLACES ±	2 PLACES ± 0.1	1 PLACE ± 0.2	0 PLACES ±	A3		A		JDWALLACE		2016/01/14		PRODUCT CUSTOMER DRAWING										
DRWN BY		DATE		CHK'D BY		DATE		APPR BY		DATE		SERIES	MATERIAL NUMBER	CUSTOMER									
JFLETCHER		2016/01/05		FDUGGAN		2016/01/12		JDWALLACE		2016/01/14		93443	SEE NOTES	GENERAL MARKET									
DOCUMENT NUMBER			DOC TYPE			DOC PART			SHEET NUMBER			934430050			PSD			000			2 OF 9		



8CCT RECEPTACLE CONNECTOR

SERIES NO. 93444

CIRCUIT SIZE
5 = 8CCT

ASSEMBLY OPTIONS

- 1 = RECEPTACLE ASSEMBLY FOR WIRE JACKET RANGE \varnothing 1.4mm - 2.7mm
- 2 = RECEPTACLE ASSEMBLY FOR WIRE JACKET RANGE \varnothing 2.7mm - 3.6mm
- 5 = RECEPTACLE ASSEMBLY & HEATSHRINK FOR WIRE JACKET RANGE \varnothing 1.4mm - 2.7mm
- 6 = RECEPTACLE ASSEMBLY & HEATSHRINK FOR WIRE JACKET RANGE \varnothing 2.7mm - 3.6mm

KEYING / COLOUR OPTION

- 12 = KEYING OPTION A (GREY)
- 21 = KEYING OPTION B (BLACK)
- 33 = KEYING OPTION C (GREEN)
- 47 = KEYING OPTION D (BROWN)

EXAMPLE:

8CCT RECEP & HEATSHRINK FOR WIRE JACKET RANGE \varnothing 1.4mm-2.7mm, KEYING OPTION A (GREY): 93444-5512

NOTES

1. SEE SHEET 2 FOR UNSPECIFIED NOTES AND DIMENSIONS
2. BACK COVER COLOUR: BLACK
3. HEATSHRINK HOUSING COLOUR: BLACK

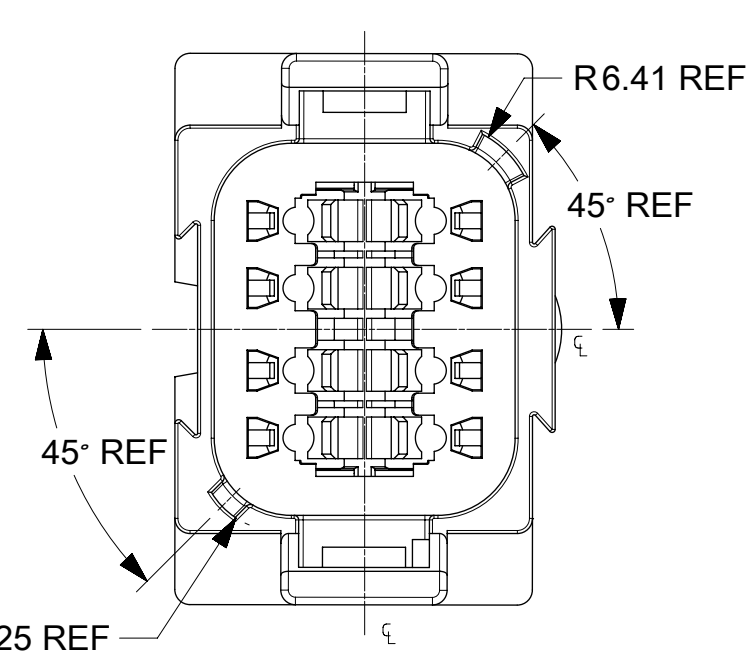
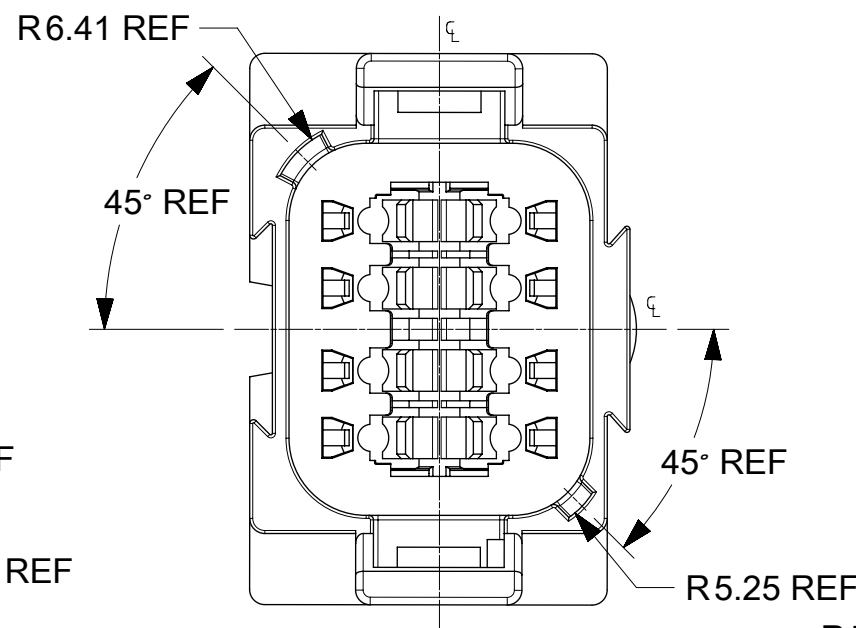
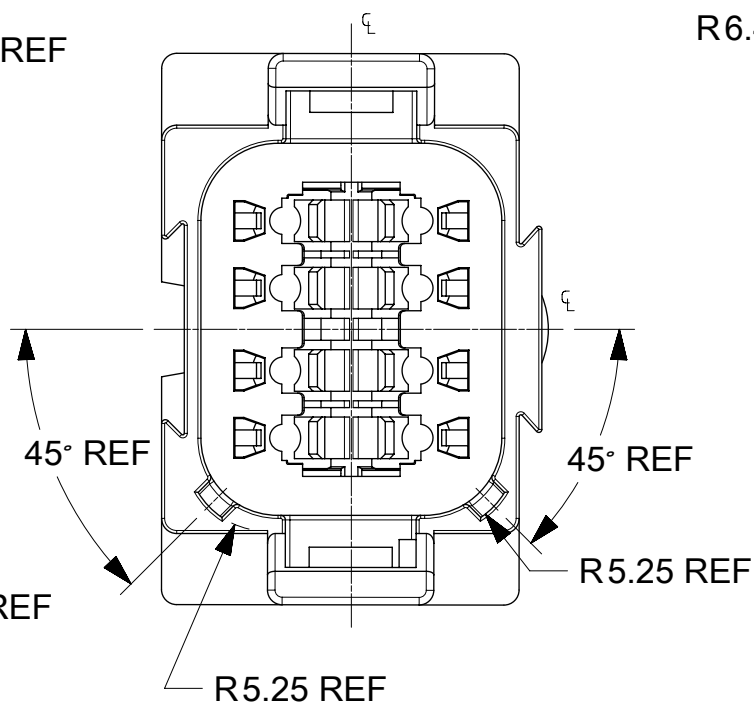
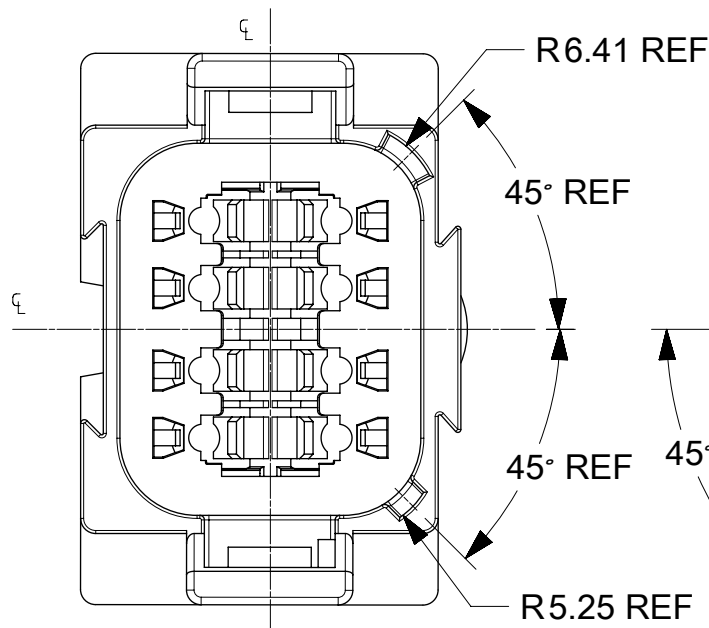
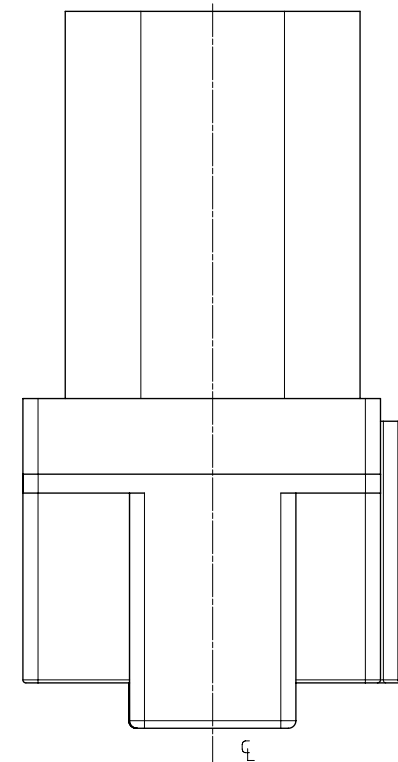
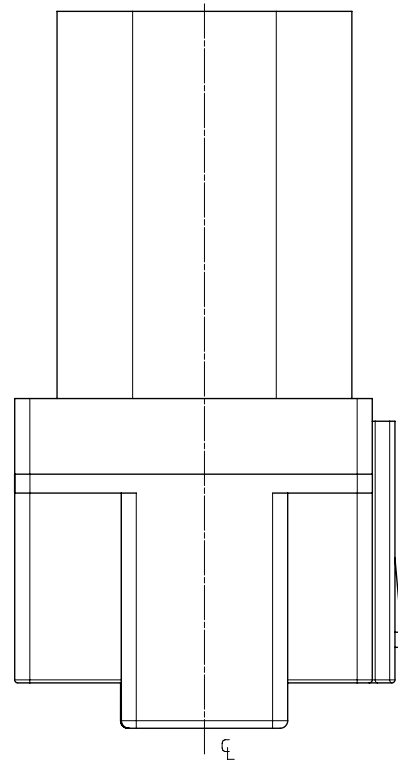
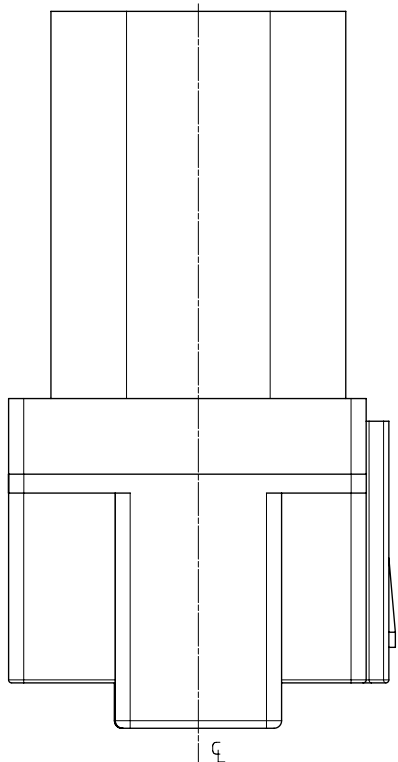
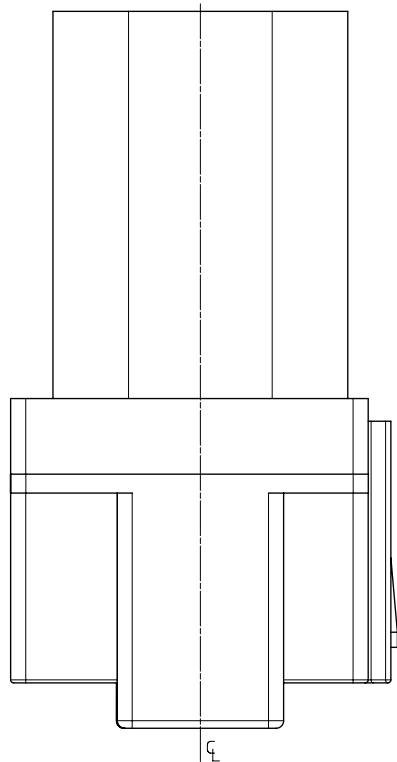
THIS DRAWING CONTAINS INFORMATION THAT IS PROPRIETARY TO MOLEX ELECTRONIC TECHNOLOGIES, LLC AND SHOULD NOT BE USED WITHOUT WRITTEN PERMISSION																			
QUALITY SYMBOLS		REDRAWN AND REVISED		GENERAL TOLERANCES (UNLESS SPECIFIED)		DIMENSION UNITS		SCALE											
∇ A	= 0	2016/01/05	DRWN: JFLETCHER	ANGULAR TOL \pm 2.0 °		MM		1.5:1											
∇ E	= 0	2016/01/12	CHK'D: FDUGGAN	4 PLACES \pm		DRWN BY		DATE		8CCT ML-XT CV CONNECTOR SYSTEM									
∇ F	= 0	2016/01/14	APPR: JDWALLACE	3 PLACES \pm		JFLETCHER		2016/01/05											
∇ B	= 0			2 PLACES \pm 0.1		CHK'D BY		DATE		PRODUCT CUSTOMER DRAWING									
∇ C	= 0			1 PLACE \pm 0.2		FDUGGAN		2016/01/12											
∇ D	= 0			0 PLACES \pm		APPR BY		DATE		<table border="1"> <tr> <td>SERIES</td><td>MATERIAL NUMBER</td><td>CUSTOMER</td> </tr> <tr> <td>93443</td><td>SEE NOTES</td><td>GENERAL MARKET</td> </tr> </table>		SERIES	MATERIAL NUMBER	CUSTOMER	93443	SEE NOTES	GENERAL MARKET		
SERIES	MATERIAL NUMBER	CUSTOMER																	
93443	SEE NOTES	GENERAL MARKET																	
\square	= 0	EC NO: 102137		DRAFT WHERE APPLICABLE MUST REMAIN WITHIN DIMENSIONS		DRAWING SIZE		THIRD ANGLE PROJECTION		<table border="1"> <tr> <td>DOCUMENT NUMBER</td><td>DOC TYPE</td><td>DOC PART</td><td>SHEET NUMBER</td> </tr> <tr> <td>934430050</td><td>PSD</td><td>000</td><td>3 OF 9</td> </tr> </table>		DOCUMENT NUMBER	DOC TYPE	DOC PART	SHEET NUMBER	934430050	PSD	000	3 OF 9
DOCUMENT NUMBER	DOC TYPE	DOC PART	SHEET NUMBER																
934430050	PSD	000	3 OF 9																
\blacksquare	= 0	A	REV			A3													
∇	= 0																		
RELEASE STATUS		P1	RELEASE DATE		14.01.2016	09:58:49													

KEYING OPTION A

KEYING OPTION B

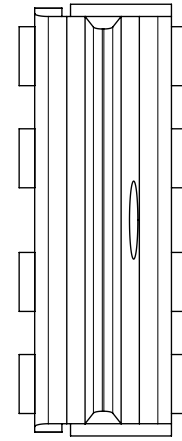
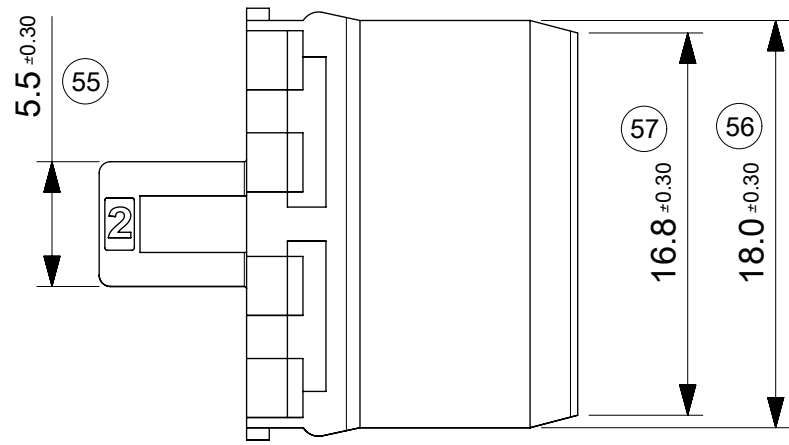
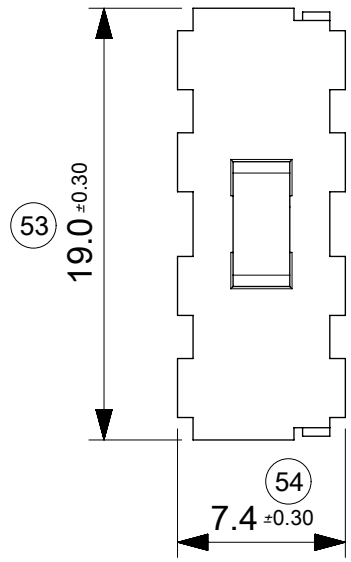
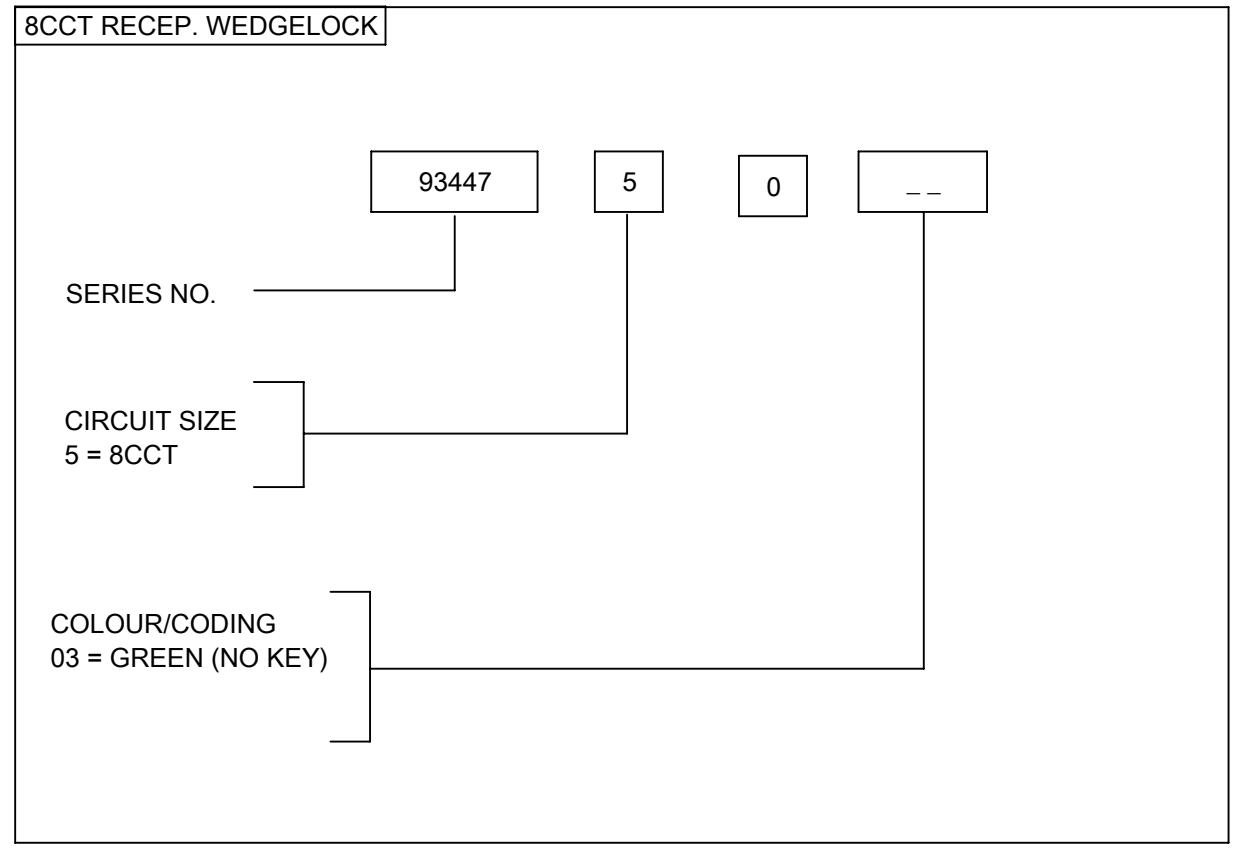
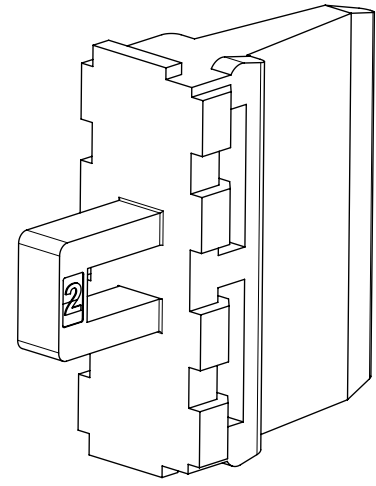
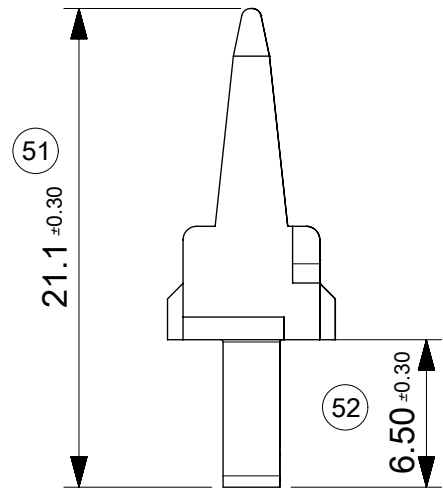
KEYING OPTION C

KEYING OPTION D



NOTES:
1. SEE SHEETS 2 & 3 FOR UNSPECIFIED NOTES & DIMENSIONS

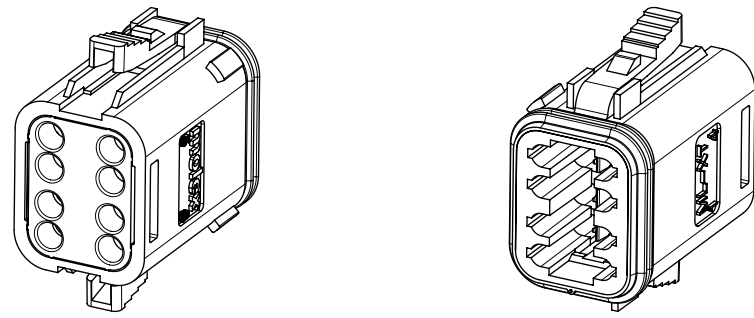
<p>QUALITY SYMBOLS</p> <p>▽A = 0</p> <p>▽E = 0</p> <p>▽F = 0</p> <p>▽ = 0</p> <p>▽C = 0</p> <p>⊗ = 0</p> <p>■ = 0</p> <p>▽ = 0</p>	THIS DRAWING CONTAINS INFORMATION THAT IS PROPRIETARY TO MOLEX ELECTRONIC TECHNOLOGIES, LLC AND SHOULD NOT BE USED WITHOUT WRITTEN PERMISSION										
	<p>REDRAWN AND REVISED</p> <p>EC NO: 102137</p> <p>DRWN: JFLETCHER</p> <p>CHK'D: FDUGGAN</p> <p>APPR: JDWALLACE</p>	<p>2016/01/05</p> <p>2016/01/12</p> <p>2016/01/14</p>	GENERAL TOLERANCES (UNLESS SPECIFIED)		DIMENSION UNITS	SCALE					
			ANGULAR TOL ± 2.0 °		MM	2:1					
			4 PLACES ±		DRWN BY	DATE	<p>8CCT ML-XT CV CONNECTOR SYSTEM</p>				
			3 PLACES ±		JFLETCHER	2016/01/05					
			2 PLACES ± 0.1		CHK'D BY	DATE					
	1 PLACE ± 0.2		FDUGGAN	2016/01/12	<p>PRODUCT CUSTOMER DRAWING</p>						
	0 PLACES ±		APPR BY	DATE							
	DRAFT WHERE APPLICABLE MUST REMAIN WITHIN DIMENSIONS		JDWALLACE	2016/01/14	SERIES	MATERIAL NUMBER	CUSTOMER				
			DRAWING SIZE		THIRD ANGLE PROJECTION		93443	SEE NOTES	GENERAL MARKET		
		A3			DOCUMENT NUMBER		DOC TYPE	DOC PART	SHEET NUMBER		
						934430050	PSD	000	4 OF 9		



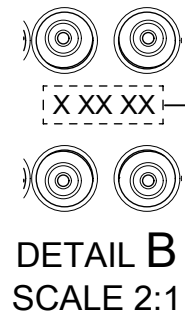
NOTES:
 1. MATERIAL: NYLON, 30% GLASS FILLED
 INSPECTION NUMBERS 51 - 100 USED FOR SHEET 5.
 LAST INSPECTION NUMBER 57

QUALITY SYMBOLS A = 0 E = 0 F = 0 G = 0 H = 0 I = 0 J = 0 K = 0 L = 0 M = 0 N = 0 O = 0 P = 0 Q = 0 R = 0 S = 0 T = 0 U = 0 V = 0 W = 0 X = 0 Y = 0 Z = 0	THIS DRAWING CONTAINS INFORMATION THAT IS PROPRIETARY TO MOLEX ELECTRONIC TECHNOLOGIES, LLC AND SHOULD NOT BE USED WITHOUT WRITTEN PERMISSION											
	REDRAWN AND REVISED EC NO: 102137 DRWN: JFLETCHER CHK'D: FDUGGAN REV APPR: JDWALLACE	GENERAL TOLERANCES (UNLESS SPECIFIED)		DIMENSION UNITS	SCALE							
		ANGULAR TOL ± 2.0 °		MM	3:1							
		4 PLACES ±	DRWN BY		DATE	8CCT ML-XT CV CONNECTOR SYSTEM						
		3 PLACES ±	JFLETCHER		2016/01/05							
		2 PLACES ± 0.1	CHK'D BY		DATE	PRODUCT CUSTOMER DRAWING						
	1 PLACE ± 0.2	FDUGGAN		2016/01/12								
	0 PLACES ±	APPR BY		DATE	SERIES		MATERIAL NUMBER		CUSTOMER			
	DRAFT WHERE APPLICABLE MUST REMAIN WITHIN DIMENSIONS		DRAWING SIZE		THIRD ANGLE PROJECTION		93443	SEE NOTES		GENERAL MARKET		
			A3				DOCUMENT NUMBER		DOC TYPE	DOC PART	SHEET NUMBER	
						934430050		PSD	000	5 OF 9		

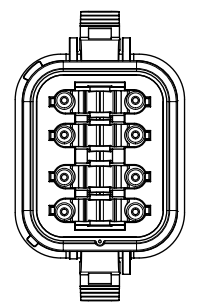
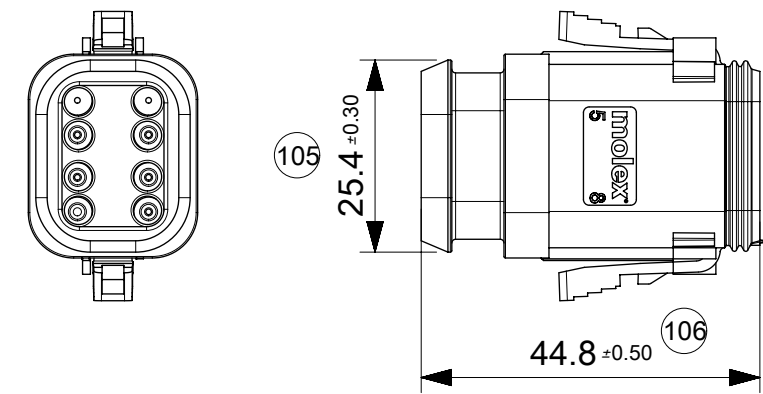
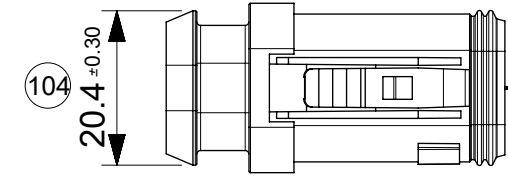
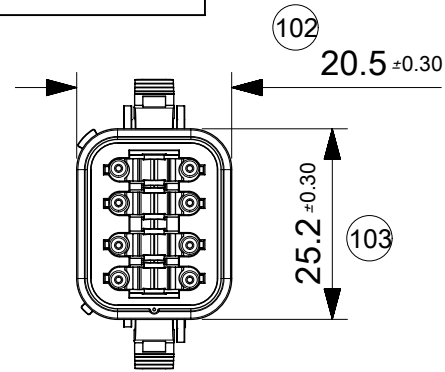
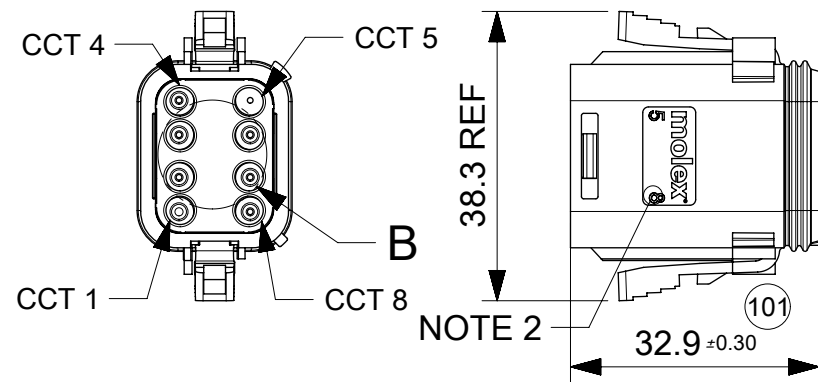
8CCT PLUG CONNECTOR



8CCT PLUG CONNECTOR WITH HEATSHRINK HOUSING ULTRASONICALLY WELDED IN PLACE



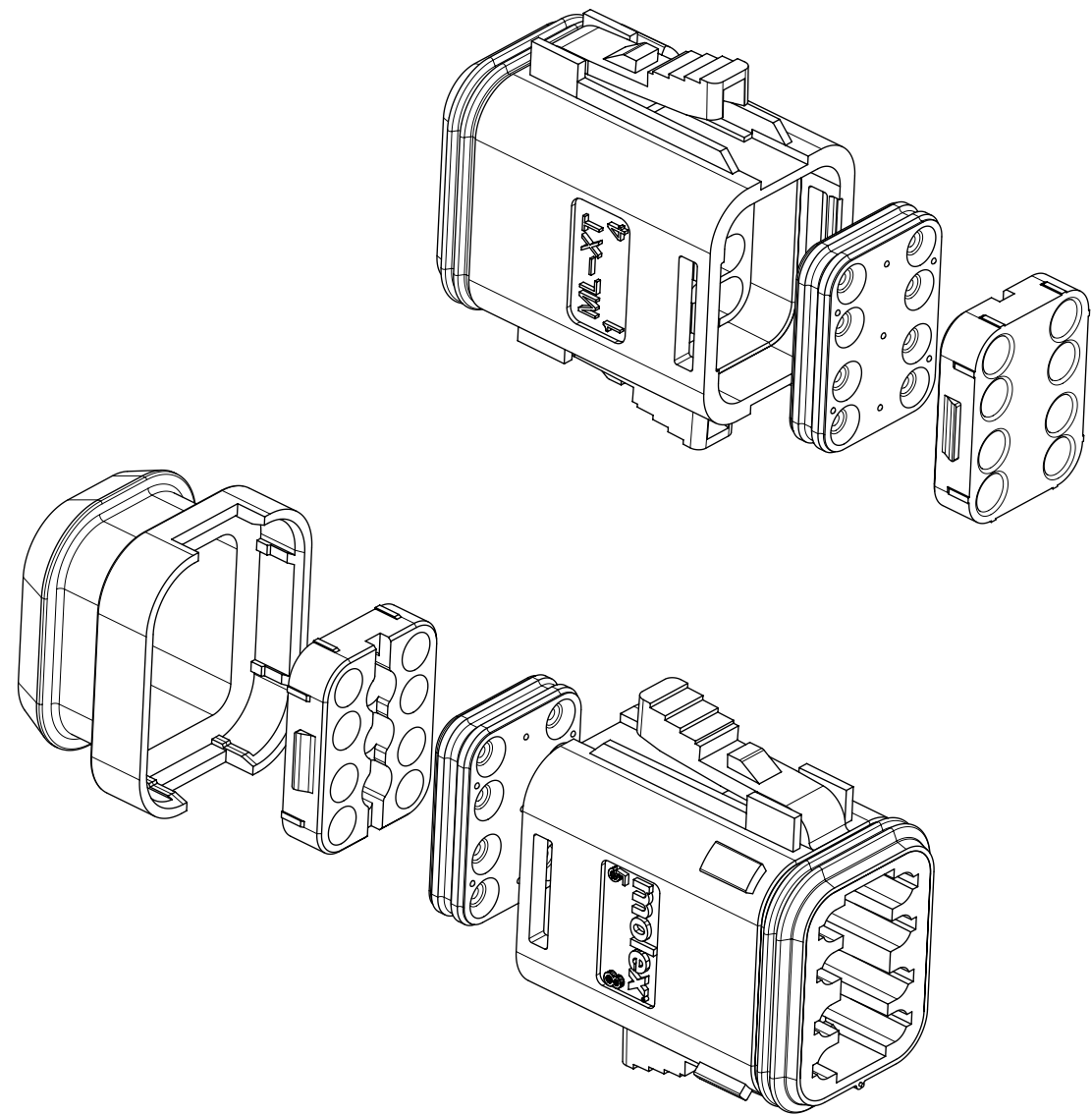
DATE CODE: X XX XX
 X — DAY: 1- 7
 X — WEEK: 01 - 52
 X — YEAR: 00 - 99
 EXAMPLE: 11315 = DAY 1, WEEK 13, YEAR 15
 i.e. 23rd OF MARCH 2015



NOTES

- MATERIAL
 HOUSING: NYLON 30% GF
 PLUG SEAL: SILICONE
 BACK SEAL: HIGH CONSISTENCY RUBBER
 - CIRCUIT IDENTIFICATION
 - JACKET RANGE LARGE = Ø2.7MM TO 3.6MM (SEAL COLOUR: LIGHT BLUE)
 JACKET RANGE SMALL = Ø1.4MM TO 2.7MM (SEAL COLOUR: BURNT ORANGE)
 - SEE SHEET 3 FOR FINAL PART NUMBER DESIGNATION
 - SEE 934430010 PS P FOR PRODUCT SPECIFICATION
 - SEE 934430002 PS K OR 934430010 PS K FOR PACKAGING SPECIFICATION
- INSPECTION NUMBERS 101-150 RESERVED FOR SHEET 6
 LAST INSPECTION NUMBER: 106

THIS DRAWING CONTAINS INFORMATION THAT IS PROPRIETARY TO MOLEX ELECTRONIC TECHNOLOGIES, LLC AND SHOULD NOT BE USED WITHOUT WRITTEN PERMISSION													
QUALITY SYMBOLS ▽ = 0 ▽ = 0 ▽ = 0 ▼ = 0 ▽ = 0 ⊗ = 0 ■ = 0 ▽ = 0	REDRAWN AND REVISED EC NO: 102137 DRWN: JFLETCHER CHK'D: FDUGGAN APPR: JDWALLACE	GENERAL TOLERANCES (UNLESS SPECIFIED)		DIMENSION UNITS	SCALE								
		ANGULAR TOL ± 2.0 °		MM	1:1								
		4 PLACES ±		DRWN BY	DATE								
		3 PLACES ±		JFLETCHER	2016/01/05	8CCT ML-XT CV CONNECTOR SYSTEM							
		2 PLACES ± 0.1		CHK'D BY	DATE								
		1 PLACE ± 0.2		FDUGGAN	2016/01/12	PRODUCT CUSTOMER DRAWING							
		0 PLACES ±		APPR BY	DATE								
		DRAFT WHERE APPLICABLE MUST REMAIN WITHIN DIMENSIONS		JDWALLACE	2016/01/14	SERIES	MATERIAL NUMBER	CUSTOMER					
				DRAWING SIZE		THIRD ANGLE PROJECTION		93443	SEE NOTES	GENERAL MARKET			
				A3			DOCUMENT NUMBER	DOC TYPE	DOC PART	SHEET NUMBER			
					934430050	PSD	000	6 OF 9					



8CCT PLUG CONNECTOR

SERIES NO.

93445

CIRCUIT SIZE
5 = 8CCT

5

ASSEMBLY OPTIONS

- 1 = PLUG ASSEMBLY FOR WIRE JACKET RANGE \varnothing 1.4mm - 2.7mm
- 2 = PLUG ASSEMBLY FOR WIRE JACKET RANGE \varnothing 2.7mm - 3.6mm
- 5 = PLUG ASSEMBLY & HEATSHRINK FOR WIRE JACKET RANGE \varnothing 1.4mm - 2.7mm
- 6 = PLUG ASSEMBLY & HEATSHRINK FOR WIRE JACKET RANGE \varnothing 2.7mm - 3.6mm

KEYING / COLOUR OPTION

- 12 = KEYING OPTION A (GREY)
- 21 = KEYING OPTION B (BLACK)
- 33 = KEYING OPTION C (GREEN)
- 47 = KEYING OPTION D (BROWN)

EXAMPLE:

8CCT PLUG & HEATSHRINK FOR WIRE JACKET RANGE \varnothing 1.4mm-2.7mm, KEYING OPTION A (GREY): 93445-5512

NOTES

1. SEE SHEET 6 FOR UNSPECIFIED NOTES AND DIMENSIONS
2. BACK COVER COLOUR: BLACK
3. HEATSHRINK HOUSING COLOUR: BLACK

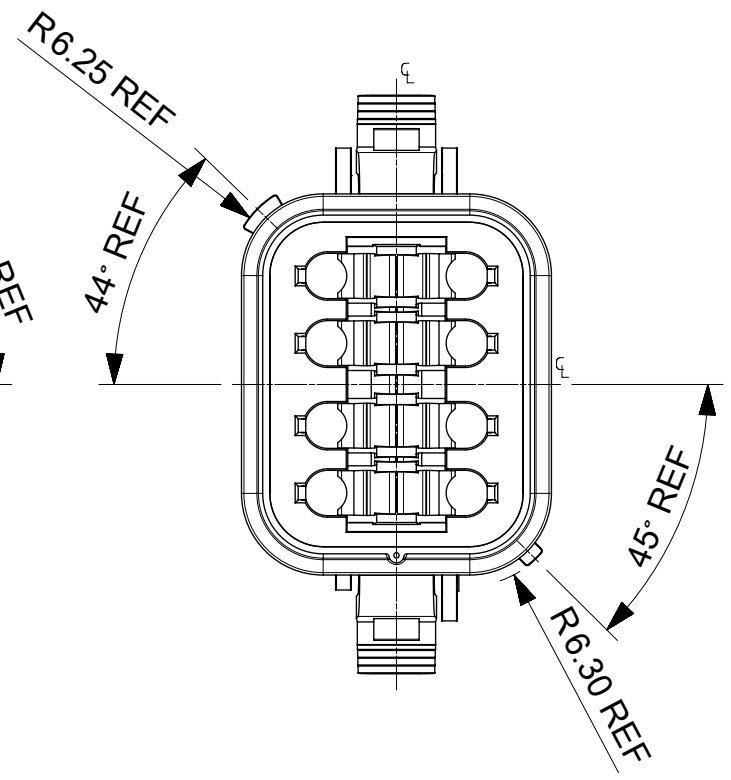
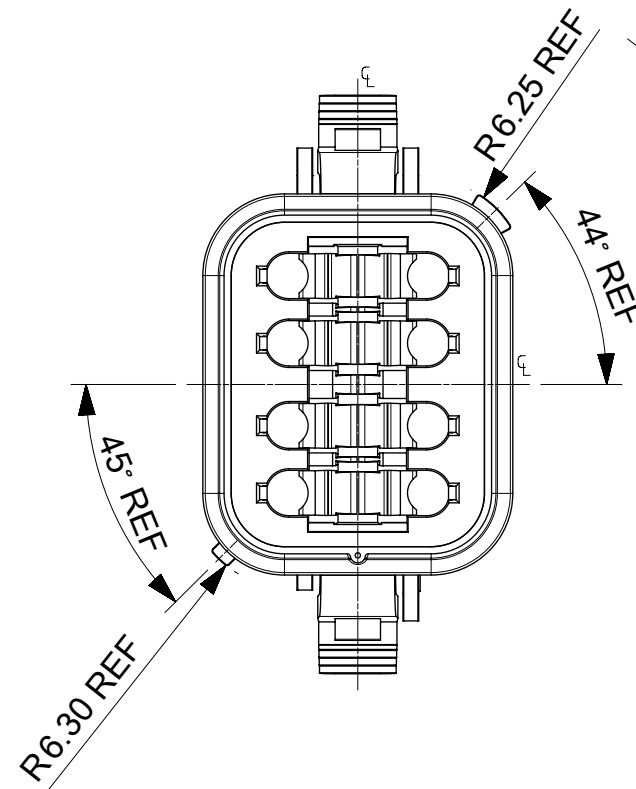
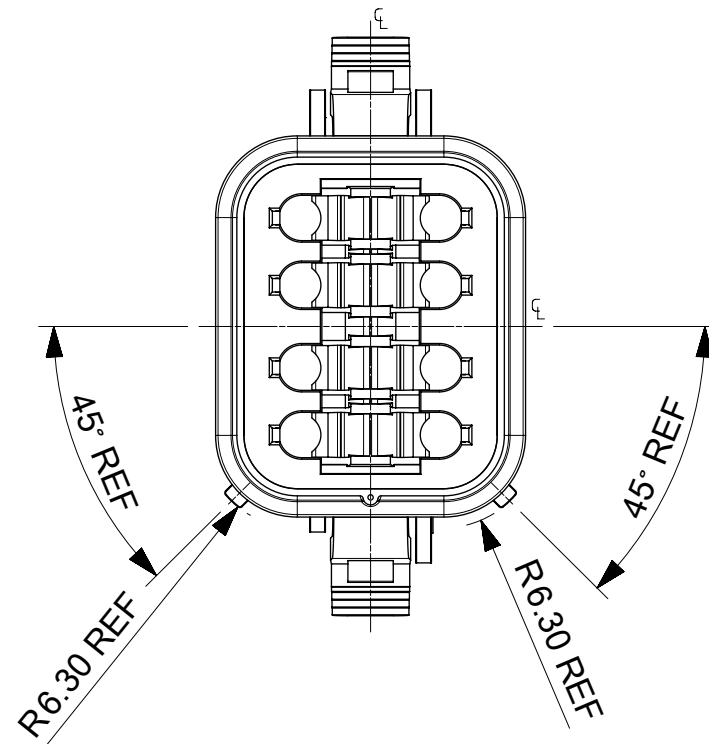
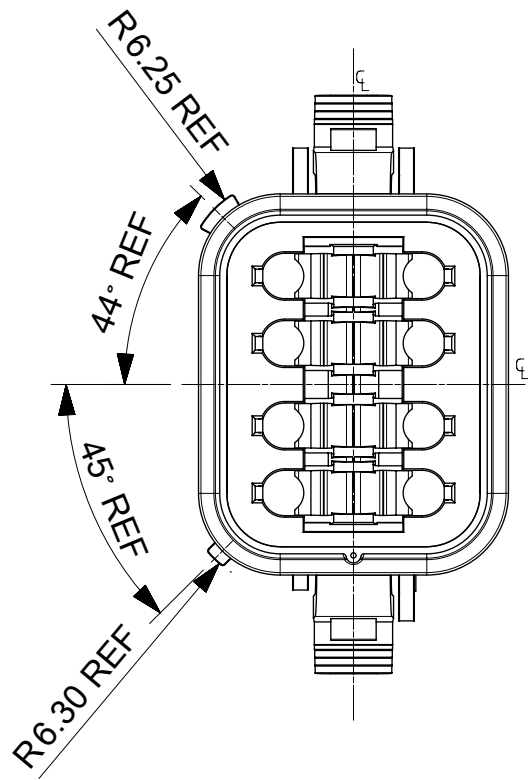
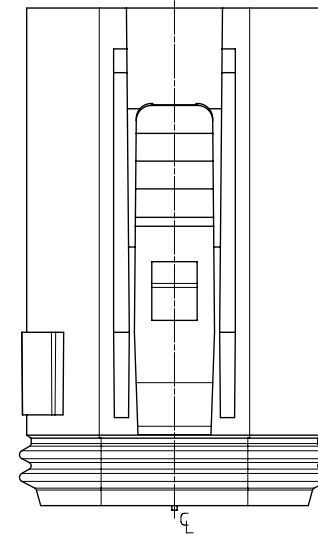
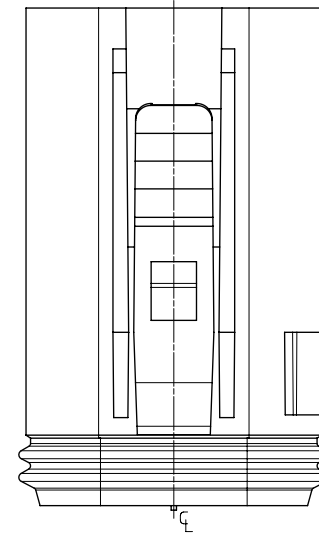
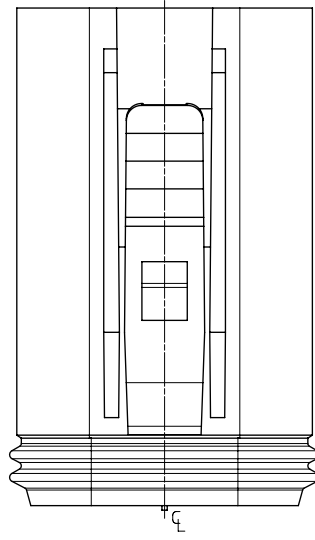
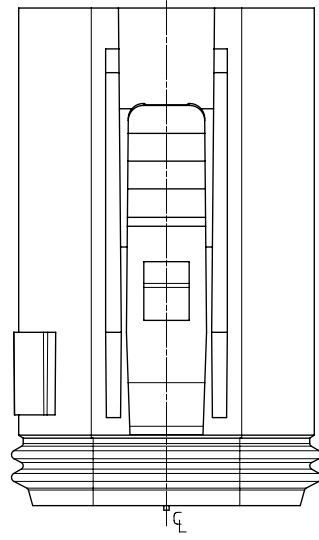
THIS DRAWING CONTAINS INFORMATION THAT IS PROPRIETARY TO MOLEX ELECTRONIC TECHNOLOGIES, LLC AND SHOULD NOT BE USED WITHOUT WRITTEN PERMISSION												
QUALITY SYMBOLS ▽A = 0 ▽E = 0 ▽F = 0 ▽G = 0 ▽H = 0 ▽I = 0 ▽J = 0 ▽K = 0 ▽L = 0	REDRAWN AND REVISED EC NO: 102137 DRWN: JFLETCHER CHK'D: FDUGGAN APPR: JDWALLACE	GENERAL TOLERANCES (UNLESS SPECIFIED) ANGULAR TOL \pm 2.0 °		DIMENSION UNITS MM	SCALE 1.5:1							
		4 PLACES \pm	DRWN BY JFLETCHER	DATE 2016/01/05								
		3 PLACES \pm	CHK'D BY FDUGGAN	DATE 2016/01/12	PRODUCT CUSTOMER DRAWING							
		2 PLACES \pm 0.1	APPR BY JDWALLACE	DATE 2016/01/14								
		1 PLACE \pm 0.2	DRAWING SIZE A3		THIRD ANGLE PROJECTION 		SERIES 93443	MATERIAL NUMBER SEE NOTES	CUSTOMER GENERAL MARKET			
		0 PLACES \pm	DRAFT WHERE APPLICABLE MUST REMAIN WITHIN DIMENSIONS		DOCUMENT NUMBER 934430050						DOC TYPE PSD	DOC PART 000

KEYING OPTION A

KEYING OPTION B

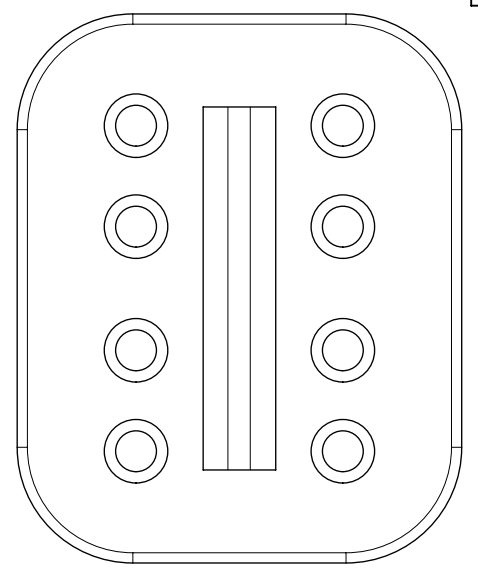
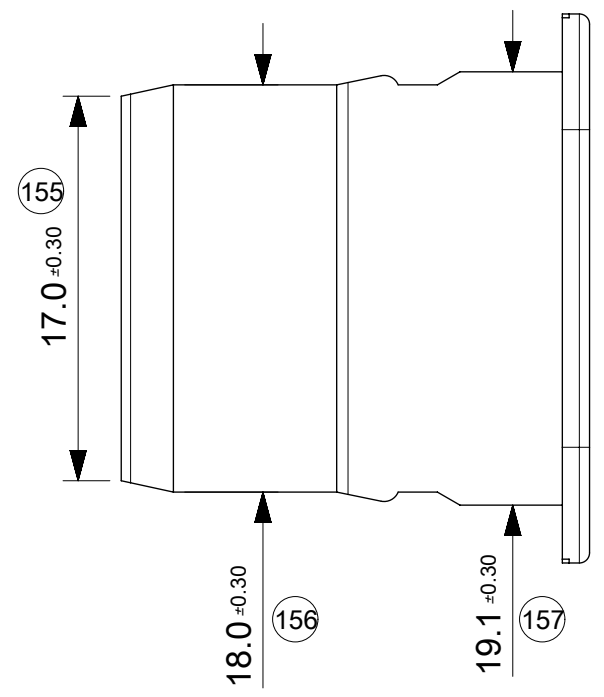
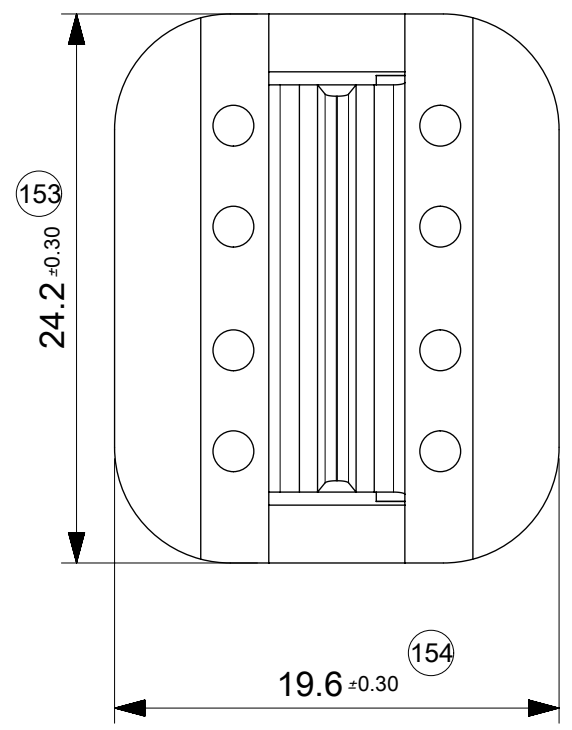
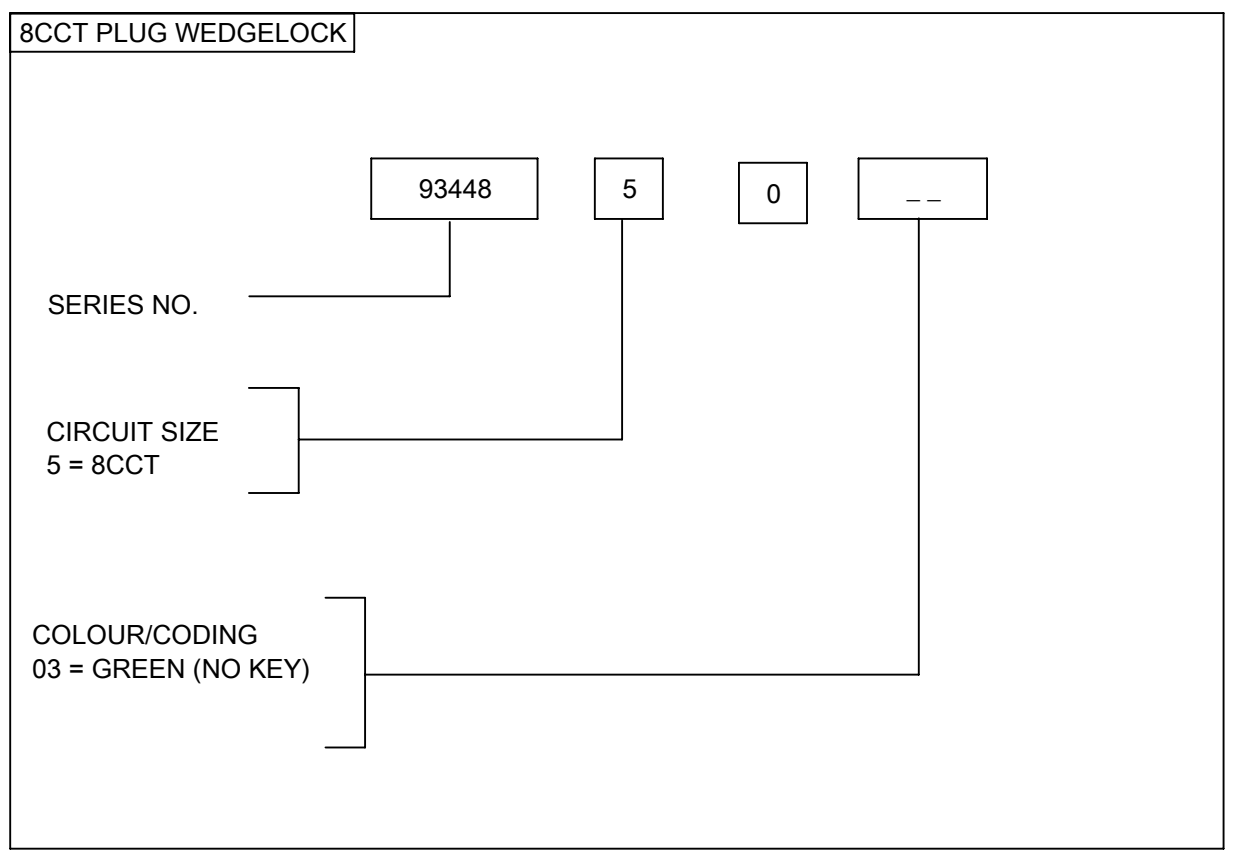
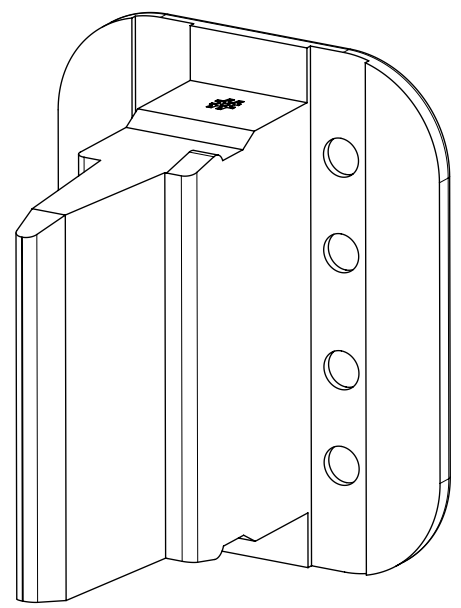
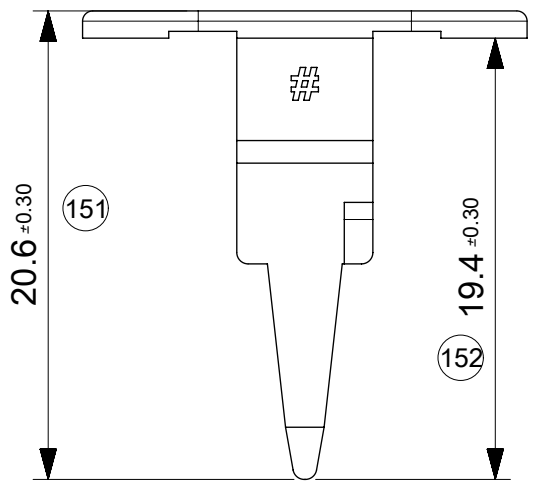
KEYING OPTION C

KEYING OPTION D



NOTES:
1. SEE SHEETS 6 & 7 FOR UNSPECIFIED NOTES & DIMENSIONS

<p>QUALITY SYMBOLS</p> <p>▽ = 0</p> <p>▽ = 0</p> <p>▽ = 0</p> <p>▼ = 0</p> <p>▽ = 0</p> <p>⊗ = 0</p> <p>■ = 0</p> <p>▽ = 0</p>				<p>THIS DRAWING CONTAINS INFORMATION THAT IS PROPRIETARY TO MOLEX ELECTRONIC TECHNOLOGIES, LLC AND SHOULD NOT BE USED WITHOUT WRITTEN PERMISSION</p>				<p>DRAWN AND REVISED</p> <p>EC NO: 102137</p> <p>DRWN: JFLETCHER</p> <p>CHK'D: FDUGGAN</p> <p>REV APPR: JDWALLACE</p> <p>2016/01/05</p> <p>2016/01/12</p> <p>2016/01/14</p>			<p>GENERAL TOLERANCES (UNLESS SPECIFIED)</p> <p>ANGULAR TOL ± 2.0 °</p> <table border="1"> <tr><td>4 PLACES</td><td>±</td></tr> <tr><td>3 PLACES</td><td>±</td></tr> <tr><td>2 PLACES</td><td>± 0.1</td></tr> <tr><td>1 PLACE</td><td>± 0.2</td></tr> <tr><td>0 PLACES</td><td>±</td></tr> </table> <p>DRAFT WHERE APPLICABLE MUST REMAIN WITHIN DIMENSIONS</p>		4 PLACES	±	3 PLACES	±	2 PLACES	± 0.1	1 PLACE	± 0.2	0 PLACES	±	<p>DIMENSION UNITS</p> <p>MM</p>		<p>SCALE</p> <p>2:1</p>		<p>molex</p> <p>8CCT ML-XT CV CONNECTOR SYSTEM</p>		
4 PLACES	±																												
3 PLACES	±																												
2 PLACES	± 0.1																												
1 PLACE	± 0.2																												
0 PLACES	±																												
<p>DRWN BY</p> <p>JFLETCHER</p>		<p>DATE</p> <p>2016/01/05</p>		<p>CHK'D BY</p> <p>FDUGGAN</p>		<p>DATE</p> <p>2016/01/12</p>		<p>PRODUCT CUSTOMER DRAWING</p>																					
<p>APPR BY</p> <p>JDWALLACE</p>		<p>DATE</p> <p>2016/01/14</p>		<p>DRAWING SIZE</p> <p>A3</p>		<p>THIRD ANGLE PROJECTION</p>		<p>SERIES</p> <p>93443</p>	<p>MATERIAL NUMBER</p> <p>SEE NOTES</p>		<p>CUSTOMER</p> <p>GENERAL MARKET</p>																		
<p>RELEASE STATUS</p> <p>P1</p>				<p>RELEASE DATE</p> <p>14.01.2016 09:58:49</p>				<p>DOCUMENT NUMBER</p> <p>934430050</p>		<p>DOC TYPE</p> <p>PSD</p>	<p>DOC PART</p> <p>000</p>	<p>SHEET NUMBER</p> <p>8 OF 9</p>																	



NOTES:
 1. MATERIAL: NYLON, 30% GLASS FILLED
 INSPECTION NUMBERS 151 - 200 USED FOR SHEET 9.
 LAST INSPECTION NUMBER 157

QUALITY SYMBOLS A = 0 E = 0 F = 0 G = 0 H = 0 I = 0 J = 0 K = 0 L = 0 M = 0 N = 0 O = 0 P = 0 Q = 0 R = 0 S = 0 T = 0 U = 0 V = 0 W = 0 X = 0 Y = 0 Z = 0	THIS DRAWING CONTAINS INFORMATION THAT IS PROPRIETARY TO MOLEX ELECTRONIC TECHNOLOGIES, LLC AND SHOULD NOT BE USED WITHOUT WRITTEN PERMISSION																												
	REDRAWN AND REVISED EC NO: 102137 DRWN: JFLETCHER CHK'D: FDUGGAN APPR: JDWALLACE	GENERAL TOLERANCES (UNLESS SPECIFIED)		DIMENSION UNITS	SCALE	<p>8CCT ML-XT CV CONNECTOR SYSTEM</p> <p>PRODUCT CUSTOMER DRAWING</p> <table border="1"> <tr> <td>SERIES</td> <td>MATERIAL NUMBER</td> <td colspan="2">CUSTOMER</td> </tr> <tr> <td>93443</td> <td>SEE NOTES</td> <td colspan="2">GENERAL MARKET</td> </tr> <tr> <td colspan="2">DOCUMENT NUMBER</td> <td>DOC TYPE</td> <td>DOC PART</td> <td>SHEET NUMBER</td> </tr> <tr> <td colspan="2">934430050</td> <td>PSD</td> <td>000</td> <td>9 OF 9</td> </tr> </table>						SERIES	MATERIAL NUMBER	CUSTOMER		93443	SEE NOTES	GENERAL MARKET		DOCUMENT NUMBER		DOC TYPE	DOC PART	SHEET NUMBER	934430050		PSD	000	9 OF 9
		SERIES	MATERIAL NUMBER	CUSTOMER																									
		93443	SEE NOTES	GENERAL MARKET																									
		DOCUMENT NUMBER		DOC TYPE	DOC PART							SHEET NUMBER																	
		934430050		PSD	000							9 OF 9																	
	ANGULAR TOL ± 2.0 °		MM	3:1																									
	4 PLACES ±	DRWN BY		DATE																									
	3 PLACES ±	JFLETCHER	2016/01/05																										
	2 PLACES ± 0.1	CHK'D BY		DATE																									
1 PLACE ± 0.2	FDUGGAN	2016/01/12																											
0 PLACES ±	APPR BY		DATE																										
DRAFT WHERE APPLICABLE MUST REMAIN WITHIN DIMENSIONS		JDWALLACE	2016/01/14																										
		DRAWING SIZE	THIRD ANGLE PROJECTION																										
		A3																											