



Chipsmall Limited consists of a professional team with an average of over 10 year of expertise in the distribution of electronic components. Based in Hongkong, we have already established firm and mutual-benefit business relationships with customers from,Europe,America and south Asia,supplying obsolete and hard-to-find components to meet their specific needs.

With the principle of “Quality Parts,Customers Priority,Honest Operation,and Considerate Service”,our business mainly focus on the distribution of electronic components. Line cards we deal with include Microchip,ALPS,ROHM,Xilinx,Pulse,ON,Everlight and Freescale. Main products comprise IC,Modules,Potentiometer,IC Socket,Relay,Connector.Our parts cover such applications as commercial,industrial, and automotives areas.

We are looking forward to setting up business relationship with you and hope to provide you with the best service and solution. Let us make a better world for our industry!



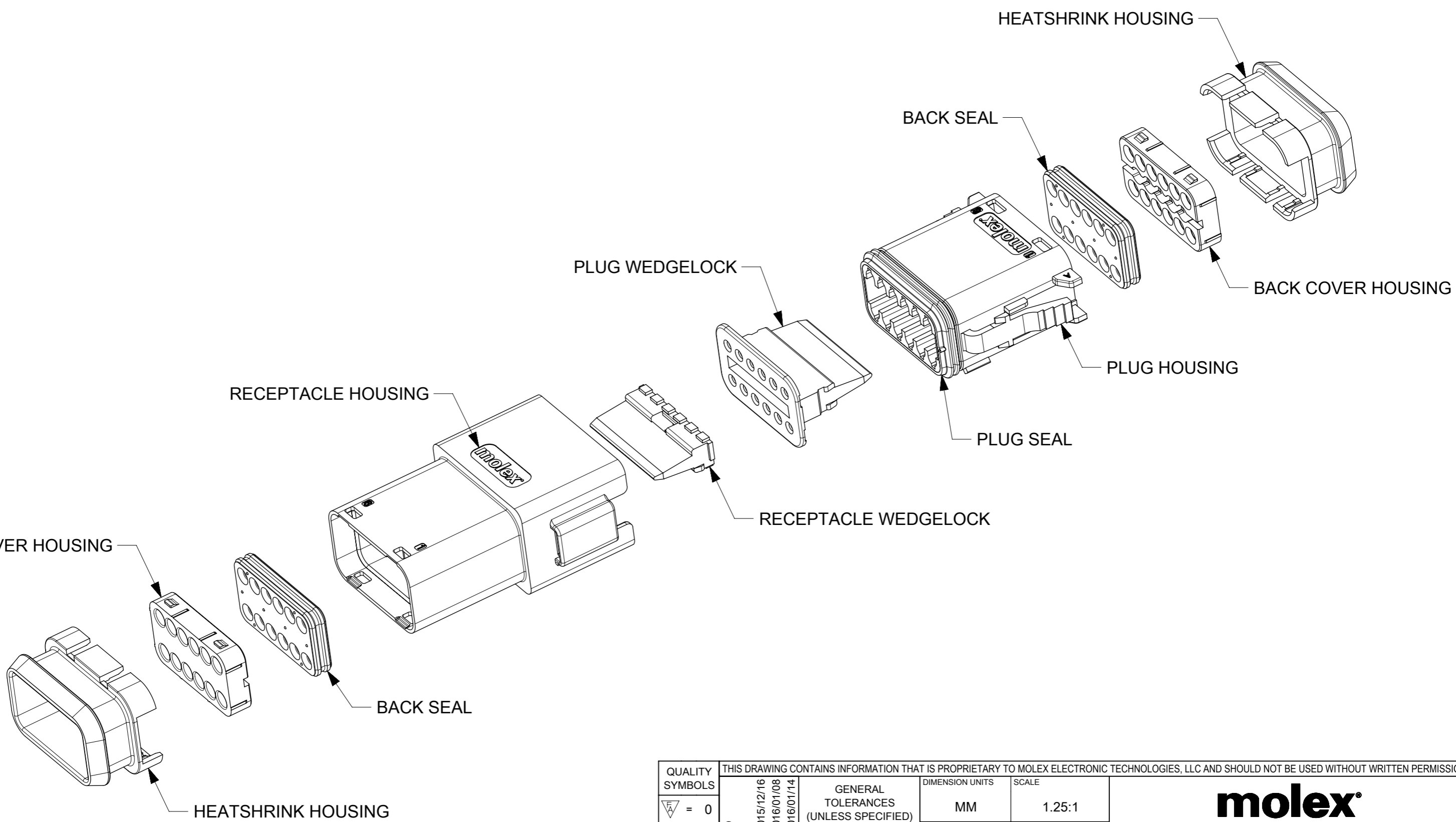
Contact us

Tel: +86-755-8981 8866 Fax: +86-755-8427 6832

Email & Skype: info@chipsmall.com Web: www.chipsmall.com

Address: A1208, Overseas Decoration Building, #122 Zhenhua RD., Futian, Shenzhen, China

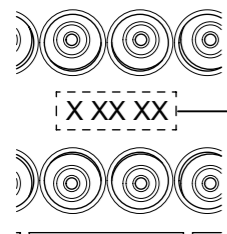
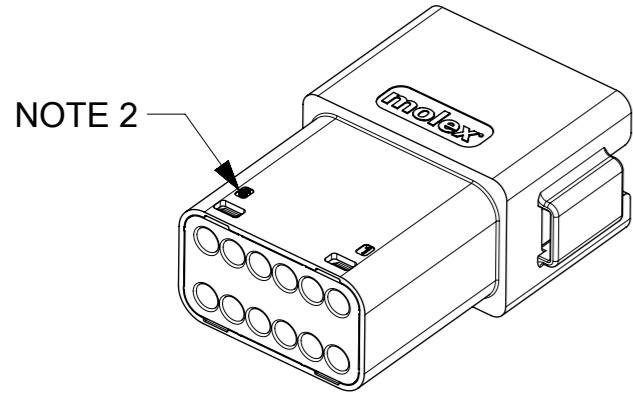




NOTES
1. SEE SHEETS 2 - 9 FOR UNSPECIFIED NOTES, DIMENSIONS & PART NUMBERS

THIS DRAWING CONTAINS INFORMATION THAT IS PROPRIETARY TO MOLEX ELECTRONIC TECHNOLOGIES, LLC AND SHOULD NOT BE USED WITHOUT WRITTEN PERMISSION											
QUALITY SYMBOLS ▽A = 0 ▽E = 0 ▽F = 0 ▼ = 0 ▽C = 0 ⊗ = 0 ■ = 0 ▽ = 0	REDRAWN AND REVISED EC NO: 102179 DRWN: JFLETCHER CHK'D: FDUGGAN REV APPR: JDWALLACE	2015/12/16 2016/01/08 2016/01/14	GENERAL TOLERANCES (UNLESS SPECIFIED) ANGULAR TOL ± 2.0 °		DIMENSION UNITS	SCALE					
			MM	1.25:1							
			4 PLACES ±	3 PLACES ±	DRWN BY	DATE	12CCT ML-XT CV CONNECTOR SYSTEM				
			2 PLACES ± 0.1	1 PLACE ± 0.2	JFLETCHER	2015/12/16					
			0 PLACES ±		CHK'D BY	DATE	PRODUCT CUSTOMER DRAWING				
					FDUGGAN	2016/01/08					
			DRAFT WHERE APPLICABLE MUST REMAIN WITHIN DIMENSIONS		APPR BY	DATE	SERIES: 93443 MATERIAL NUMBER: SEE NOTES CUSTOMER: GENERAL MARKET				
					JDWALLACE	2016/01/14					
					DRAWING SIZE	THIRD ANGLE PROJECTION	DOCUMENT NUMBER: 934430060 DOC TYPE: PSD DOC PART: 000 SHEET NUMBER: 1 OF 9				
					A3						

12CCT RECEPTACLE CONNECTOR

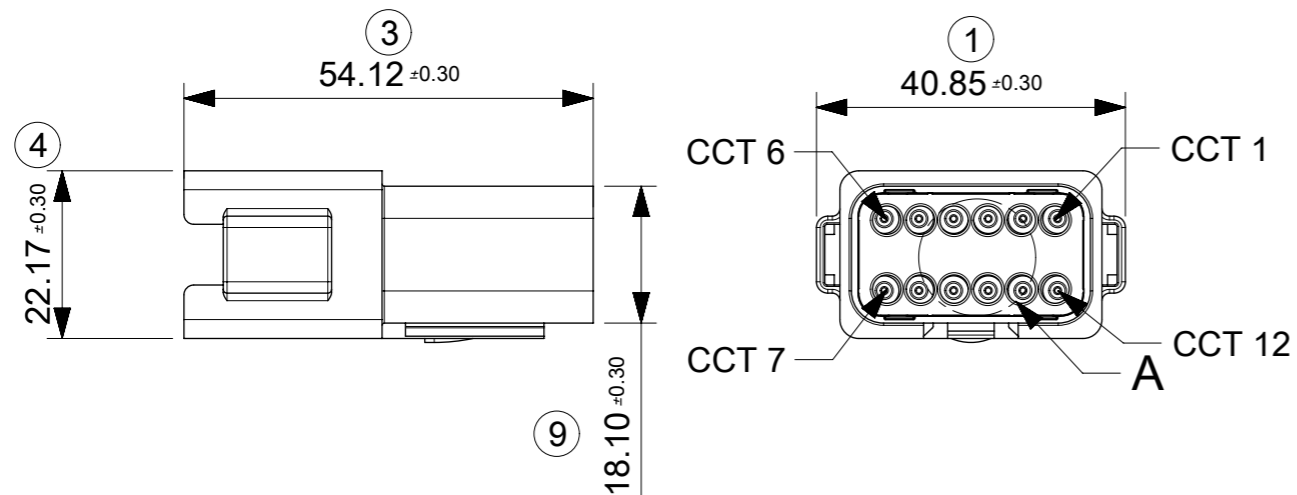


DETAIL A
SCALE 2:1

DATE CODE: X XX XX
X — DAY: 1- 7

X — WEEK: 01 - 52
X — YEAR: 00 - 99

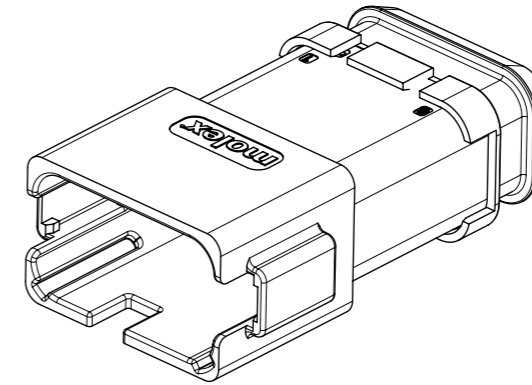
EXAMPLE: 11315 = DAY 1, WEEK 13, YEAR 15
i.e. 23rd OF MARCH 2015



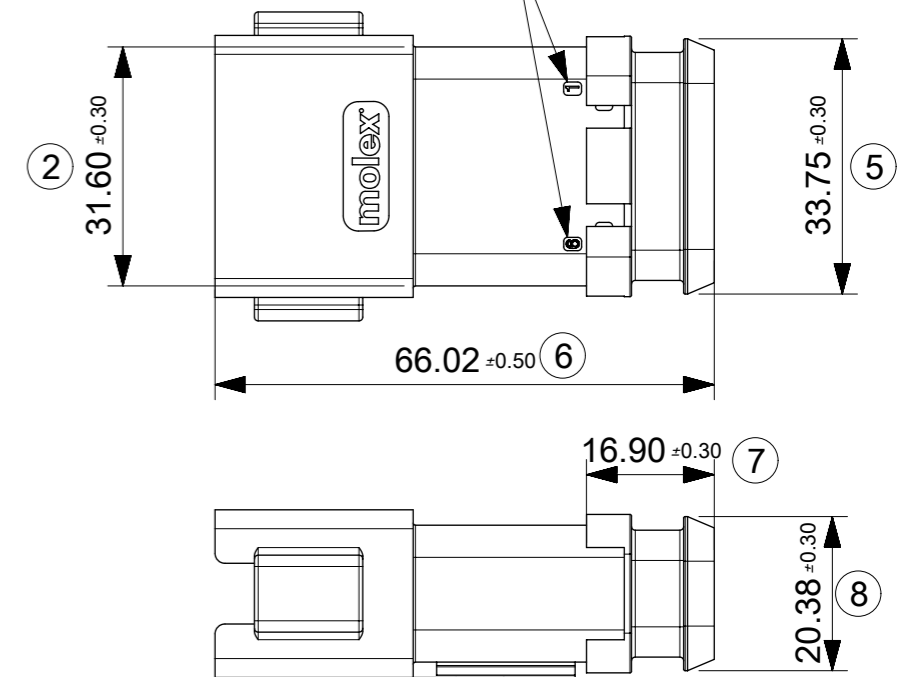
NOTES

- MATERIAL**
HOUSING: NYLON 30% GF
BACK SEAL: HIGH CONSISTENCY RUBBER
- CIRCUIT IDENTIFICATION**
- JACKET RANGE LARGE** = Ø2.7MM TO 3.6MM (SEAL COLOUR: LIGHT BLUE)
JACKET RANGE SMALL = Ø1.4MM TO 2.7MM (SEAL COLOUR: BURNT ORANGE)
- SEE SHEET 3 FOR FINAL PART NUMBER DESIGNATION
- SEE 934430010 PS P FOR PRODUCT SPECIFICATION
- SEE 934430002 PS K OR 934430010 PS K FOR PACKAGING SPECIFICATION
- INSPECTION NUMBERS 1-50 RESERVED FOR SHEET 2
- LAST INSPECTION NUMBER: 9

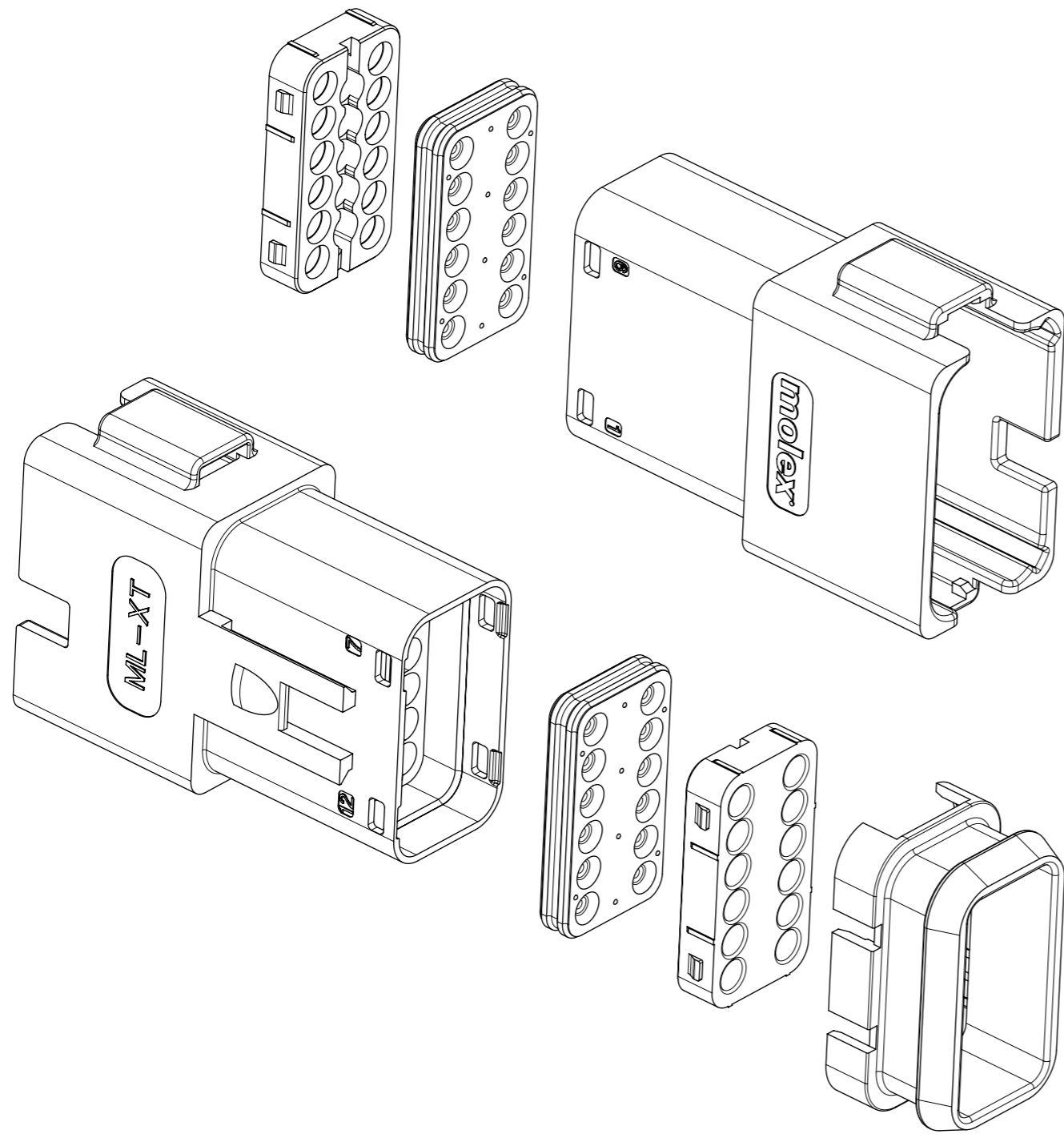
12CCT RECEPTACLE CONNECTOR WITH HEATSHRINK HOUSING ULTRASONICALLY WELDED IN PLACE



NOTE 2



THIS DRAWING CONTAINS INFORMATION THAT IS PROPRIETARY TO MOLEX ELECTRONIC TECHNOLOGIES, LLC AND SHOULD NOT BE USED WITHOUT WRITTEN PERMISSION																																		
QUALITY SYMBOLS	REDRAWN AND REVISED	EC NO: 102179	DRWN: JFLETCHER	CHK'D: FDUGGAN	APPR: JDWALLACE	2015/12/16	2016/01/08	2016/01/14	DIMENSION UNITS		SCALE		<p>12CCT ML-XT CV CONNECTOR SYSTEM</p> <p>PRODUCT CUSTOMER DRAWING</p> <table border="1"> <tr> <td>SERIES</td> <td>MATERIAL NUMBER</td> <td colspan="2">CUSTOMER</td> </tr> <tr> <td>93443</td> <td>SEE NOTES</td> <td colspan="2">GENERAL MARKET</td> </tr> <tr> <td colspan="2">DOCUMENT NUMBER</td> <td>DOC TYPE</td> <td>DOC PART</td> <td>SHEET NUMBER</td> </tr> <tr> <td colspan="2">934430060</td> <td>PSD</td> <td>000</td> <td>2 OF 9</td> </tr> </table>				SERIES	MATERIAL NUMBER	CUSTOMER		93443	SEE NOTES	GENERAL MARKET		DOCUMENT NUMBER		DOC TYPE	DOC PART	SHEET NUMBER	934430060		PSD	000	2 OF 9
									SERIES	MATERIAL NUMBER	CUSTOMER																							
93443	SEE NOTES	GENERAL MARKET																																
DOCUMENT NUMBER		DOC TYPE	DOC PART	SHEET NUMBER																														
934430060		PSD	000	2 OF 9																														
MM	1:1																																	
DRWN BY		DATE																																
JFLETCHER		2015/12/16																																
CHK'D BY		DATE																																
FDUGGAN		2016/01/08																																
APPR BY		DATE																																
JDWALLACE		2016/01/14																																
DRAWING SIZE		THIRD ANGLE PROJECTION																																
A3																																		
GENERAL TOLERANCES (UNLESS SPECIFIED)										ANGULAR TOL ± 2.0 °		DRAFT WHERE APPLICABLE MUST REMAIN WITHIN DIMENSIONS																						
4 PLACES ±		3 PLACES ±		2 PLACES ± 0.1		1 PLACE ± 0.2		0 PLACES ±																										



12CCT RECEPTACLE CONNECTOR

SERIES NO. 93444

CIRCUIT SIZE
6 = 12CCT

ASSEMBLY OPTIONS

- 1 = RECEPTACLE ASSEMBLY FOR WIRE JACKET RANGE \varnothing 1.4mm - 2.7mm
- 2 = RECEPTACLE ASSEMBLY FOR WIRE JACKET RANGE \varnothing 2.7mm - 3.6mm
- 5 = RECEPTACLE ASSEMBLY & HEATSHRINK FOR WIRE JACKET RANGE \varnothing 1.4mm - 2.7mm
- 6 = RECEPTACLE ASSEMBLY & HEATSHRINK FOR WIRE JACKET RANGE \varnothing 2.7mm - 3.6mm

KEYING / COLOUR OPTION

- 12 = KEYING OPTION A (GREY)
- 21 = KEYING OPTION B (BLACK)
- 33 = KEYING OPTION C (GREEN)
- 47 = KEYING OPTION D (BROWN)

EXAMPLE:

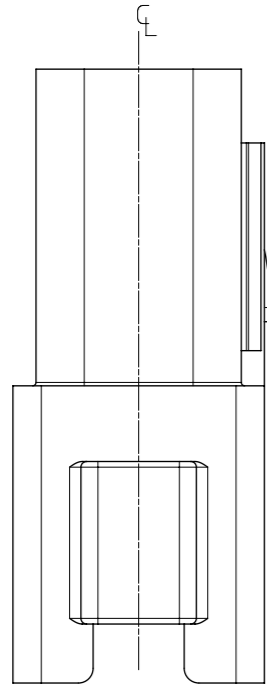
12CCT RECEPTACLE & HEATSHRINK FOR WIRE JACKET RANGE \varnothing 1.4mm-2.7mm, KEYING OPTION A (GREY): 93444-6512

NOTES

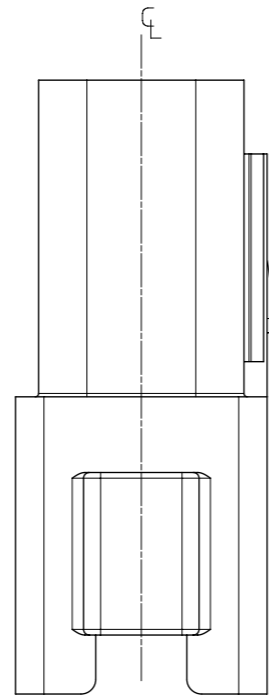
1. SEE SHEET 2 FOR UNSPECIFIED NOTES AND DIMENSIONS
2. BACK COVER COLOUR: BLACK
3. HEATSHRINK HOUSING COLOUR: BLACK

THIS DRAWING CONTAINS INFORMATION THAT IS PROPRIETARY TO MOLEX ELECTRONIC TECHNOLOGIES, LLC AND SHOULD NOT BE USED WITHOUT WRITTEN PERMISSION											
QUALITY SYMBOLS	A = 0 E = 0 EB = 0 ▼ = 0 C = 0 ⊗ = 0 ■ = 0 ▽ = 0	REDRAWN AND REVISED EC NO: 102179 DRWN: JFLETCHER CHK'D: FDUGGAN REV APPR: JDWALLACE	GENERAL TOLERANCES (UNLESS SPECIFIED)		DIMENSION UNITS	SCALE					
			ANGULAR TOL ± 2.0 °		MM	1.5:1					
			4 PLACES ±		DRWN BY	DATE	12CCT ML-XT CV CONNECTOR SYSTEM				
			3 PLACES ±		JFLETCHER	2015/12/16					
			2 PLACES ± 0.1		CHK'D BY	DATE	PRODUCT CUSTOMER DRAWING				
			1 PLACE ± 0.2		FDUGGAN	2016/01/08					
			0 PLACES ±		APPR BY	DATE	SERIES: 93443 MATERIAL NUMBER: SEE NOTES CUSTOMER: GENERAL MARKET				
			DRAFT WHERE APPLICABLE MUST REMAIN WITHIN DIMENSIONS		JDWALLACE	2016/01/14					
					DRAWING SIZE	THIRD ANGLE PROJECTION	DOCUMENT NUMBER		DOC TYPE	DOC PART	SHEET NUMBER
					A3		934430060		PSD	000	3 OF 9

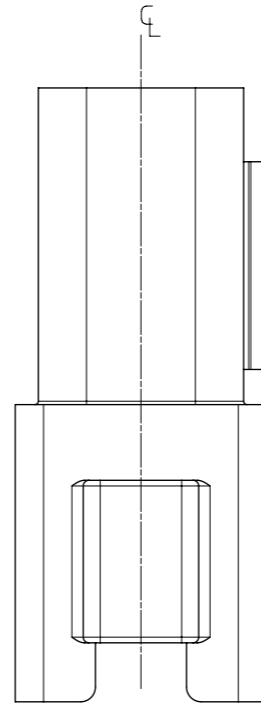
KEYING OPTION A



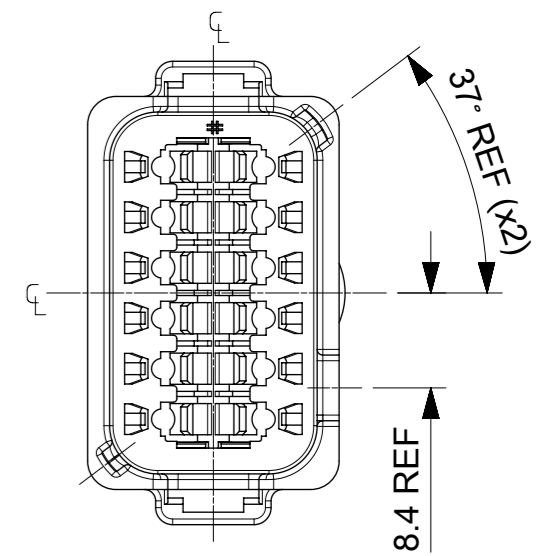
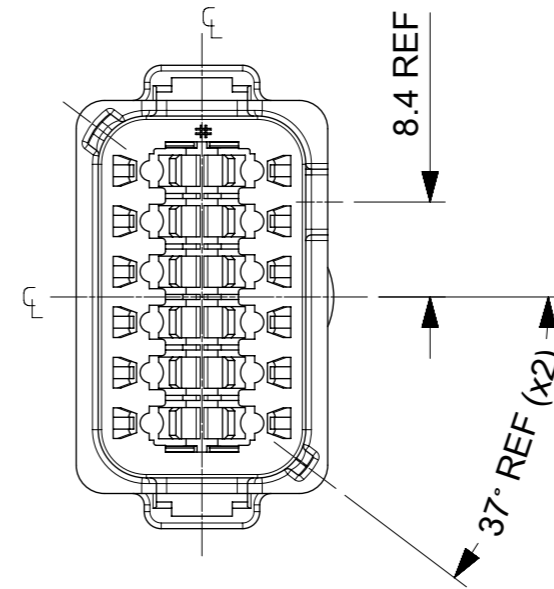
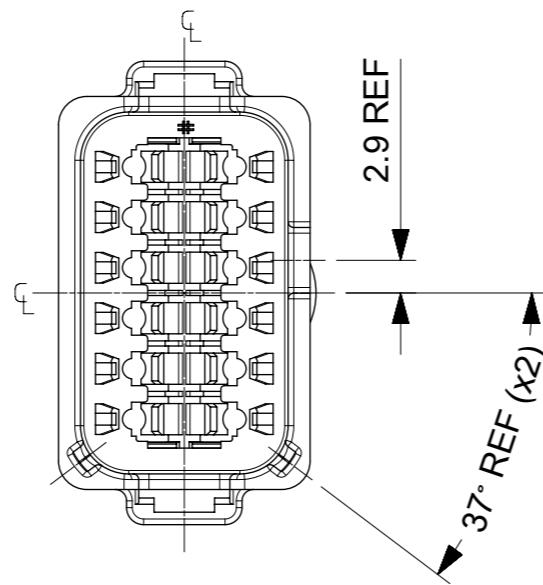
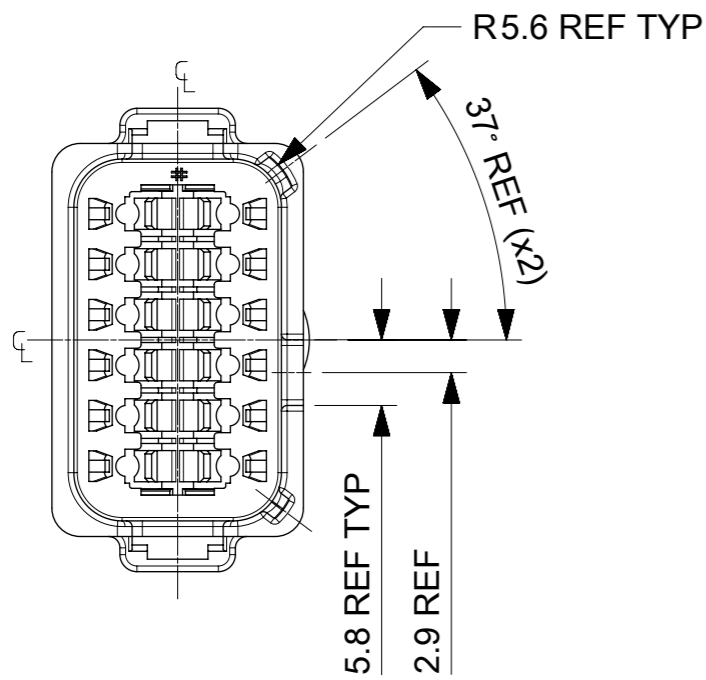
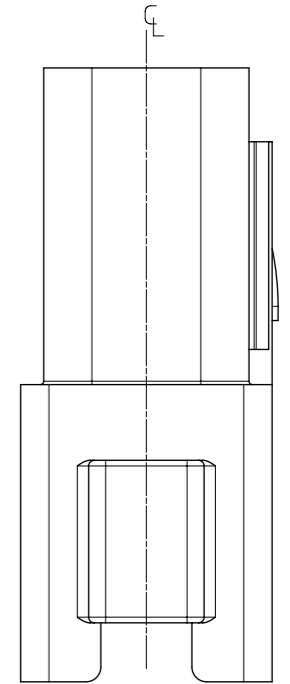
KEYING OPTION B



KEYING OPTION C

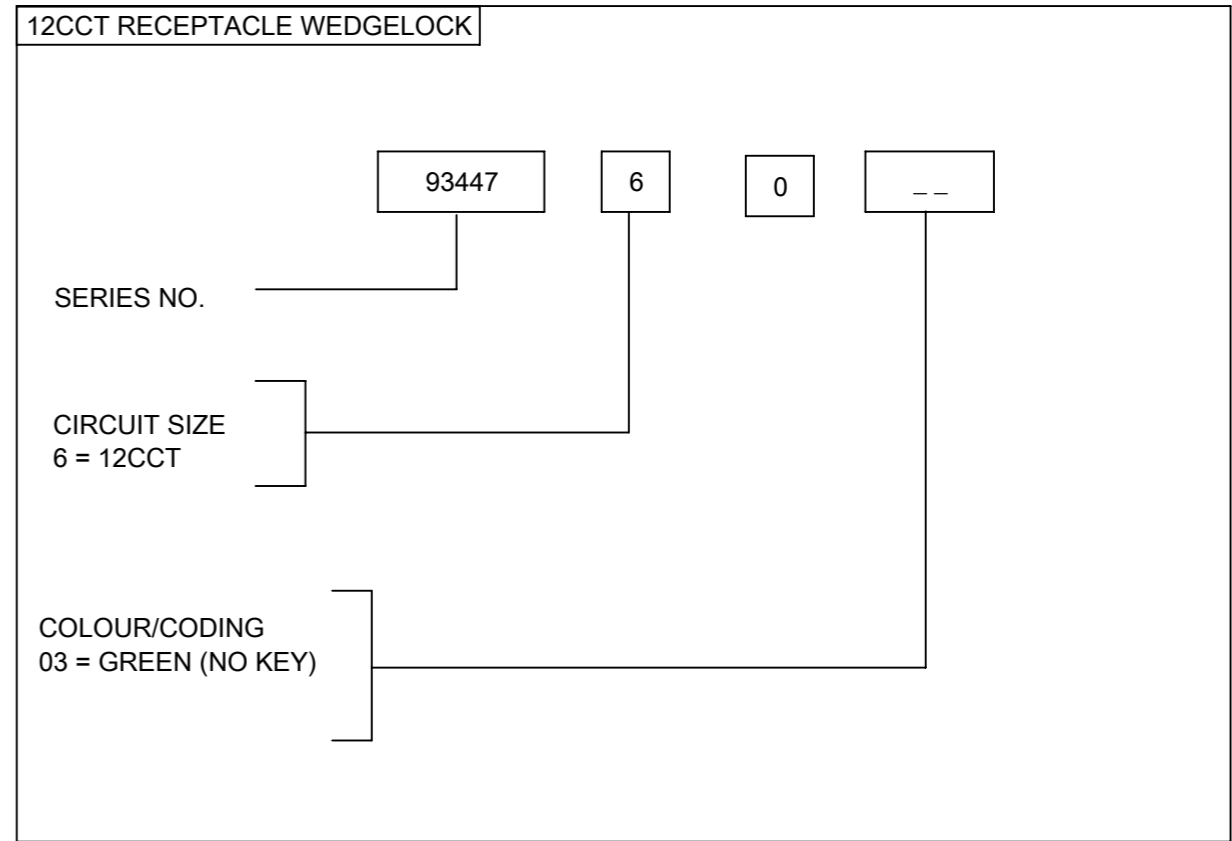
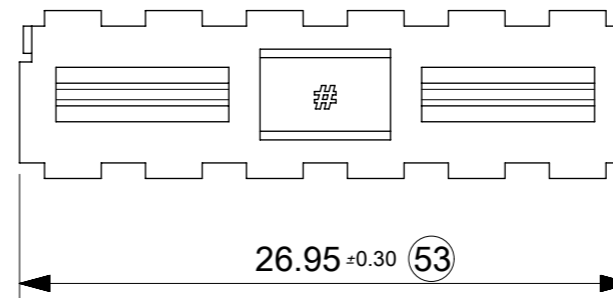
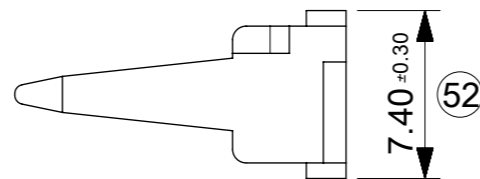
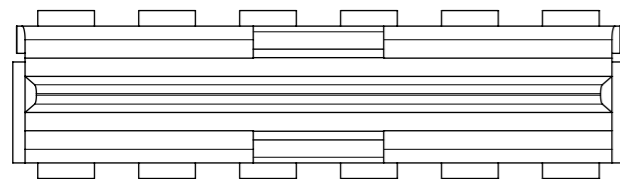
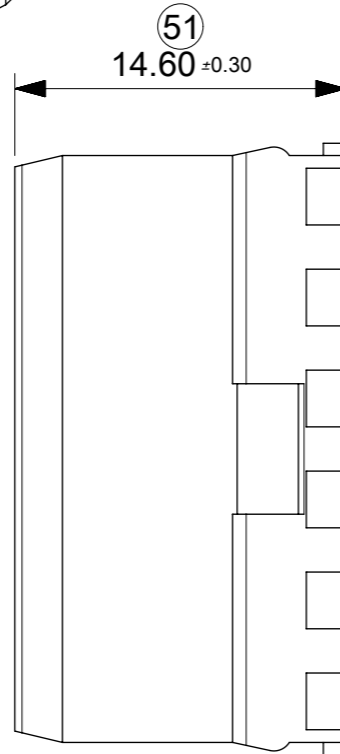
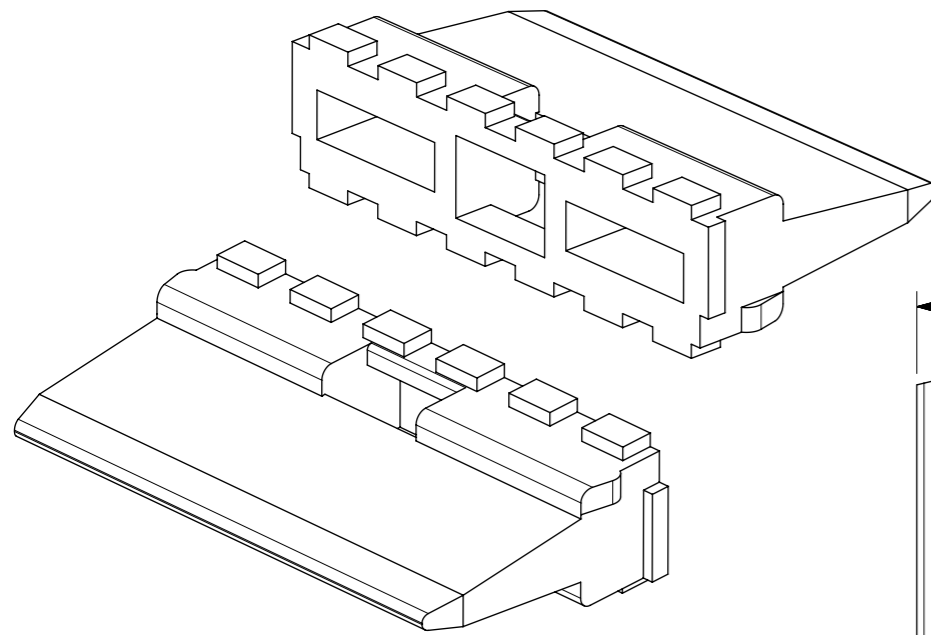


KEYING OPTION D



NOTES
1. SEE SHEETS 2 & 3 FOR UNSPECIFIED NOTES AND DIMENSIONS

THIS DRAWING CONTAINS INFORMATION THAT IS PROPRIETARY TO MOLEX ELECTRONIC TECHNOLOGIES, LLC AND SHOULD NOT BE USED WITHOUT WRITTEN PERMISSION													
QUALITY SYMBOLS		REDRAWN AND REVISED		GENERAL TOLERANCES (UNLESS SPECIFIED)		DIMENSION UNITS		SCALE					
▽A	= 0	2015/12/16	2016/01/08	ANGULAR TOL ± 2.0 °		MM		1.5:1	12CCT ML-XT CV CONNECTOR SYSTEM				
▽E	= 0	DRWN: JFLETCHER	CHK'D: FDUGGAN	4 PLACES	±	DRWN BY: JFLETCHER		DATE: 2015/12/16					
▽B	= 0	EC NO: 102179	REV: APPR: JDWALLACE	3 PLACES	±	CHK'D BY: FDUGGAN		DATE: 2016/01/08		PRODUCT CUSTOMER DRAWING			
▽C	= 0			2 PLACES	± 0.1	APPR BY: JDWALLACE		DATE: 2016/01/14					
▽D	= 0			1 PLACE	± 0.2	DRAWING SIZE: A3		THIRD ANGLE PROJECTION		SERIES: 93443	MATERIAL NUMBER: SEE NOTES	CUSTOMER: GENERAL MARKET	
▽	= 0			0 PLACES	±	DRAFT WHERE APPLICABLE MUST REMAIN WITHIN DIMENSIONS				DOCUMENT NUMBER: 934430060	DOC TYPE: PSD	DOC PART: 000	SHEET NUMBER: 4 OF 9
▽	= 0												

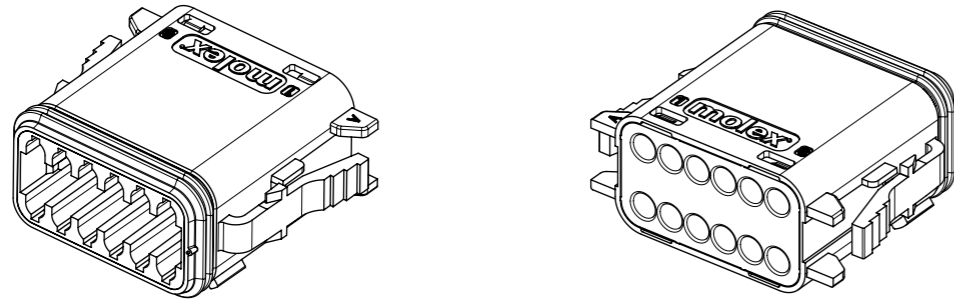


NOTES

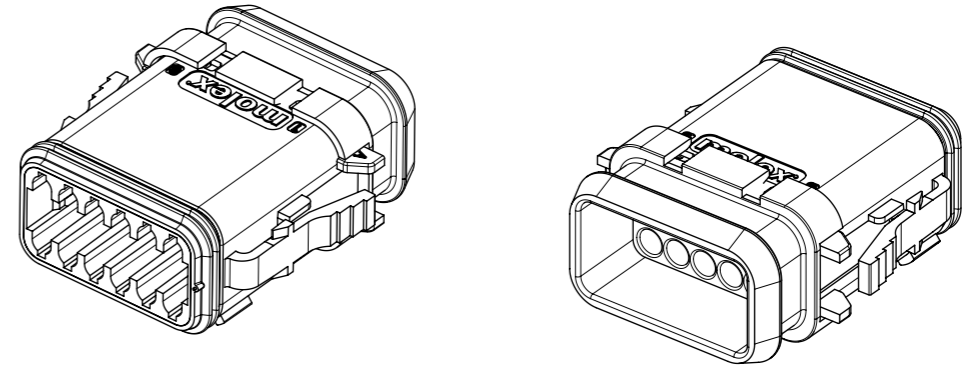
- MATERIAL
HOUSING: NYLON 30% GLASS FILLED
- INSPECTION NUMBERS 51-100
RESERVED FOR SHEET 5
LAST INSPECTION NUMBER 53

QUALITY SYMBOLS ▽A = 0 ▽E = 0 ▽F = 0 ▼ = 0 ▽C = 0 ⊗ = 0 ■ = 0 ▽ = 0	THIS DRAWING CONTAINS INFORMATION THAT IS PROPRIETARY TO MOLEX ELECTRONIC TECHNOLOGIES, LLC AND SHOULD NOT BE USED WITHOUT WRITTEN PERMISSION														
	REDRAWN AND REVISED EC NO: 102179 DRWN: JFLETCHER CHK'D: FDUGGAN REV APPR: JDWALLACE	2015/12/16 2016/01/08 2016/01/14		GENERAL TOLERANCES (UNLESS SPECIFIED) ANGULAR TOL ± 2.0 °		DIMENSION UNITS MM		SCALE 3:1							
		4 PLACES ±		DRWN BY JFLETCHER		DATE 2015/12/16		12CCT ML-XT CV CONNECTOR SYSTEM							
		3 PLACES ±		CHK'D BY FDUGGAN		DATE 2016/01/08				PRODUCT CUSTOMER DRAWING					
2 PLACES ± 0.1		APPR BY JDWALLACE		DATE 2016/01/14		SERIES 93443		MATERIAL NUMBER SEE NOTES				CUSTOMER GENERAL MARKET			
1 PLACE ± 0.2		DRAFT WHERE APPLICABLE MUST REMAIN WITHIN DIMENSIONS		DRAWING SIZE A3		THIRD ANGLE PROJECTION 		DOCUMENT NUMBER 934430060		DOC TYPE PSD		DOC PART 000		SHEET NUMBER 5 OF 9	
0 PLACES ±															

12CCT PLUG CONNECTOR



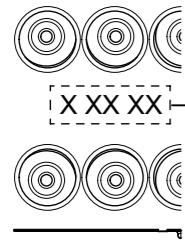
12CCT PLUG CONNECTOR WITH HEATSHRINK HOUSING ULTRASONICALLY WELDED IN PLACE



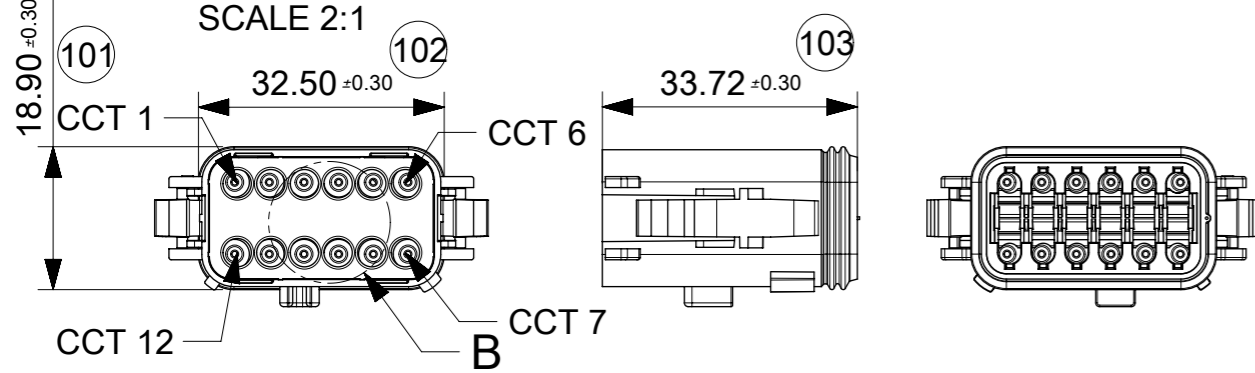
DATE CODE: X XX XX
 X — DAY: 1- 7

X — WEEK: 01 - 52
 X — YEAR: 00 - 99

EXAMPLE: 11315 = DAY 1, WEEK 13, YEAR 15
 i.e. 23rd OF MARCH 2015



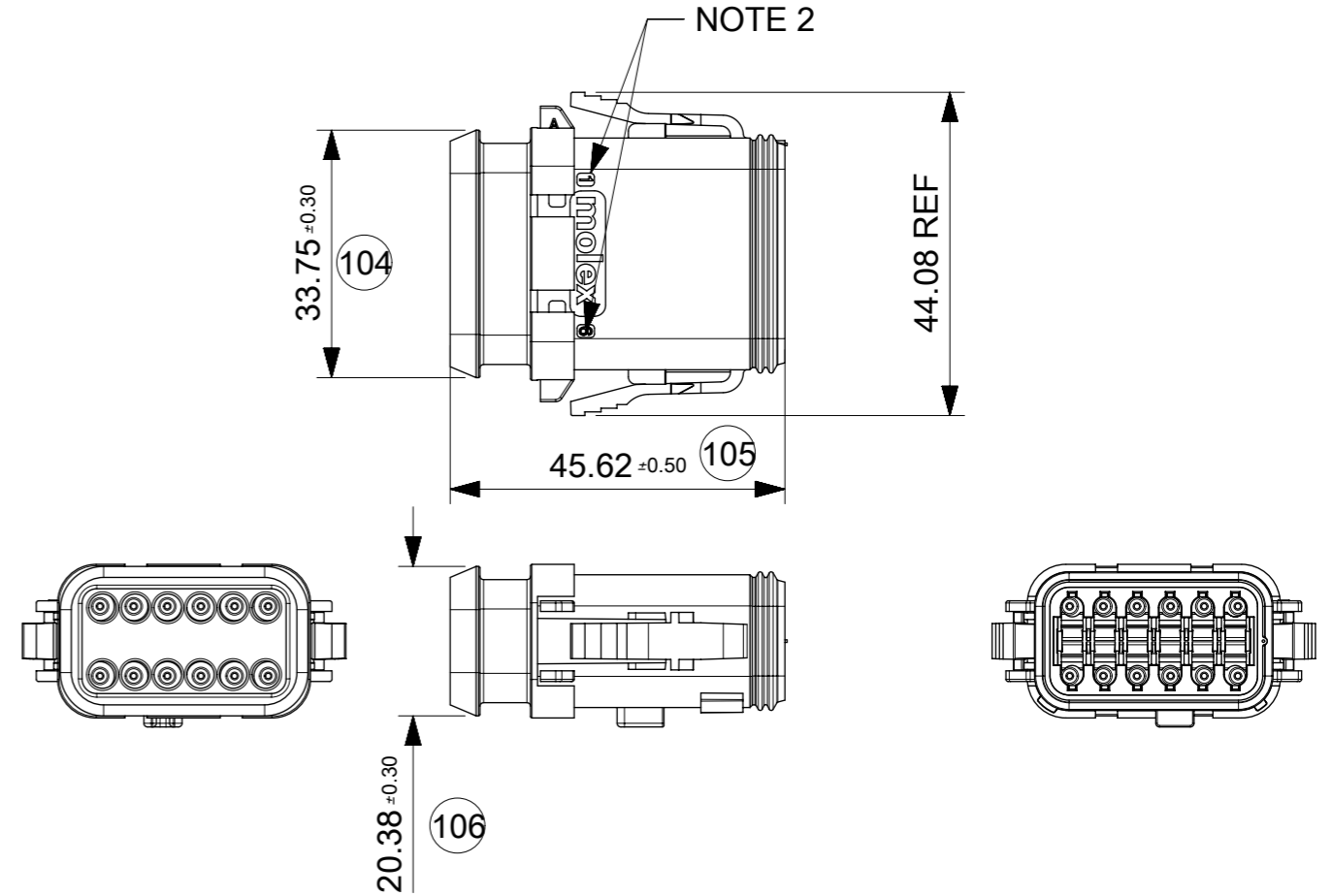
DETAIL B
 SCALE 2:1



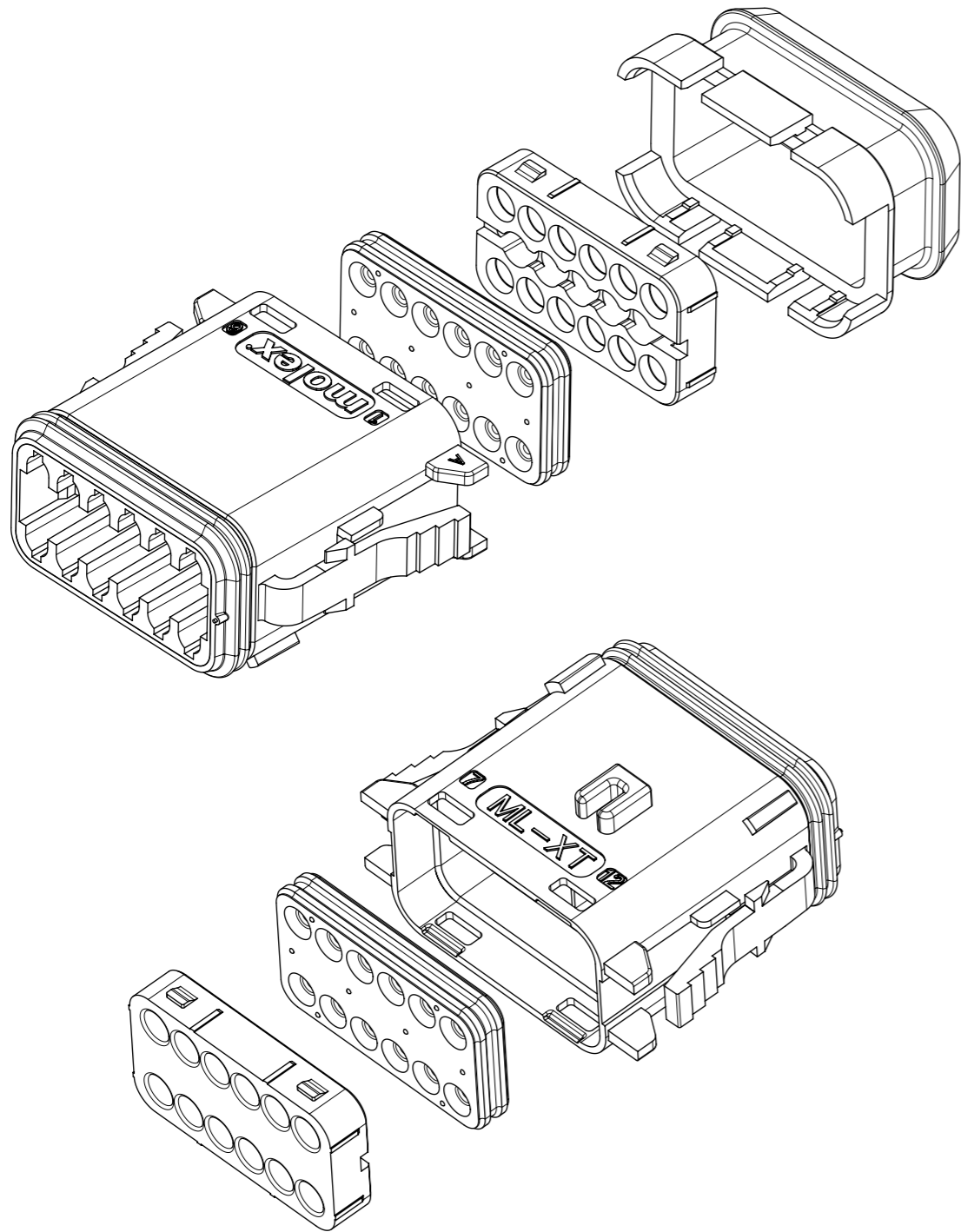
NOTES

- MATERIAL
 HOUSING: NYLON 30% GLASS FILL
 PLUG SEAL: SILICONE
 BACK SEAL: HIGH CONSISTENCY RUBBER
 - CIRCUIT IDENTIFICATION
 - JACKET RANGE LARGE = \varnothing 2.7mm TO 3.6mm (SEAL COLOUR: LIGHT BLUE)
 JACKET RANGE SMALL = \varnothing 1.4mm TO 2.7mm (SEAL COLOUR: BURNT ORANGE)
 - SEE SHEET 7 FOR FINAL PART NUMBER DESIGNATION
 - SEE 934430010 PSP FOR PRODUCT SPECIFICATION
 - SEE 934430002 PS K OR 934430010 PS K FOR PACKAGING SPECIFICATION
- INSPECTION NUMBERS 101-150 RESERVED FOR SHEET 6
 LAST INSPECTION NUMBER 106

NOTE 2



THIS DRAWING CONTAINS INFORMATION THAT IS PROPRIETARY TO MOLEX ELECTRONIC TECHNOLOGIES, LLC AND SHOULD NOT BE USED WITHOUT WRITTEN PERMISSION													
QUALITY SYMBOLS		REDRAWN AND REVISED		GENERAL TOLERANCES (UNLESS SPECIFIED)		DIMENSION UNITS		SCALE					
▽A	= 0	EC NO: 102179	2015/12/16	ANGULAR TOL ± 2.0 °		MM	1:1	DRWN BY				DATE	
▽E	= 0	DRWN: JFLETCHER	2016/01/08	4 PLACES	±	JFLETCHER		2015/12/16		12CCT ML-XT CV CONNECTOR SYSTEM			
▽F	= 0	CHK'D: FDUGGAN	2016/01/14	3 PLACES	±	CHK'D BY		DATE					
▽B	= 0	APPR: JDWALLACE		2 PLACES	± 0.1	FDUGGAN		2016/01/08		PRODUCT CUSTOMER DRAWING			
▽	= 0			1 PLACE	± 0.2	APPR BY		DATE					
▽C	= 0			0 PLACES	±	JDWALLACE		2016/01/14		SERIES	MATERIAL NUMBER	CUSTOMER	
▽D	= 0			DRAFT WHERE APPLICABLE MUST REMAIN WITHIN DIMENSIONS		DRAWING SIZE		THIRD ANGLE PROJECTION		93443		GENERAL MARKET	
▽	= 0					A3			DOCUMENT NUMBER		DOC TYPE	DOC PART	SHEET NUMBER
▽	= 0								934430060	PSD	000	6 OF 9	



12CCT PLUG CONNECTOR

SERIES NO.

93445

CIRCUIT SIZE
6 = 12CCT

6

-

- -

ASSEMBLY OPTIONS

- 1 = PLUG ASSEMBLY FOR WIRE JACKET RANGE Ø1.4mm - 2.7mm
- 2 = PLUG ASSEMBLY FOR WIRE JACKET RANGE Ø2.7mm - 3.6mm
- 5 = PLUG ASSEMBLY & HEATSHRINK FOR WIRE JACKET RANGE Ø1.4mm - 2.7mm
- 6 = PLUG ASSEMBLY & HEATSHRINK FOR WIRE JACKET RANGE Ø2.7mm - 3.6mm

KEYING / COLOUR OPTION

- 12 = KEYING OPTION A (GREY)
- 21 = KEYING OPTION B (BLACK)
- 33 = KEYING OPTION C (GREEN)
- 47 = KEYING OPTION D (BROWN)

EXAMPLE:

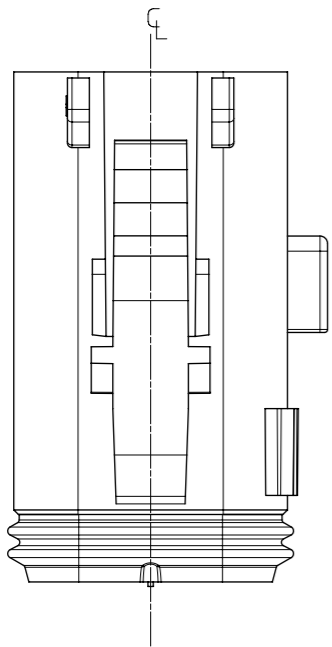
12CCT PLUG & HEATSHRINK FOR WIRE JACKET RANGE Ø1.4mm-2.7mm, KEYING OPTION A (GREY): 93445-6512

NOTES

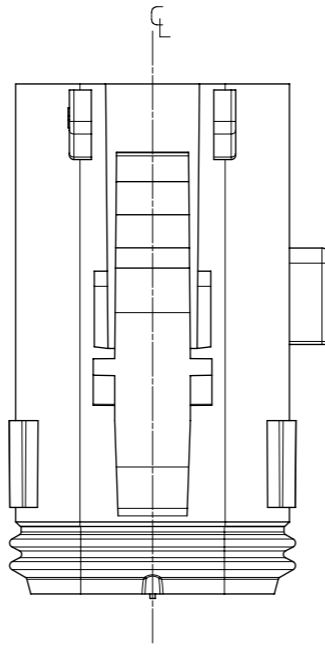
- 1. SEE SHEET 6 FOR UNSPECIFIED NOTES AND DIMENSIONS
- 2. BACK COVER COLOUR: BLACK
- 3. HEATSHRINK HOUSING COLOUR: BLACK

<p>QUALITY SYMBOLS</p> <p>▽A = 0</p> <p>▽E = 0</p> <p>▽EB = 0</p> <p>▼ = 0</p> <p>▽C = 0</p> <p>⊗ = 0</p> <p>■ = 0</p> <p>▽ = 0</p>	THIS DRAWING CONTAINS INFORMATION THAT IS PROPRIETARY TO MOLEX ELECTRONIC TECHNOLOGIES, LLC AND SHOULD NOT BE USED WITHOUT WRITTEN PERMISSION										
	<p>REDRAWN AND REVISED</p> <p>EC NO: 102179</p> <p>DRWN: JFLETCHER</p> <p>CHK'D: FDUGGAN</p> <p>REV APPR: JDWALLACE</p>	2015/12/16	2016/01/08 <td colspan="2">GENERAL TOLERANCES (UNLESS SPECIFIED)</td> <td>DIMENSION UNITS</td> <td>SCALE</td> <td colspan="4" rowspan="2"> </td>	GENERAL TOLERANCES (UNLESS SPECIFIED)		DIMENSION UNITS	SCALE				
		ANGULAR TOL ± 2.0 °		MM	1:1						
		4 PLACES ±	JFLETCHER		DATE	12CCT ML-XT CV CONNECTOR SYSTEM					
		3 PLACES ±	FDUGGAN		2015/12/16						
		2 PLACES ± 0.1	CHK'D BY		DATE	PRODUCT CUSTOMER DRAWING					
	1 PLACE ± 0.2	JDWALLACE		2016/01/08							
	0 PLACES ±	APPR BY		DATE	SERIES MATERIAL NUMBER CUSTOMER						
	DRAFT WHERE APPLICABLE MUST REMAIN WITHIN DIMENSIONS		JDWALLACE						93443		GENERAL MARKET
	DRAFT WHERE APPLICABLE MUST REMAIN WITHIN DIMENSIONS		DRAWING SIZE	THIRD ANGLE PROJECTION	DOCUMENT NUMBER		DOC TYPE	DOC PART	SHEET NUMBER		
		A3		934430060		PSD	000	7 OF 9			

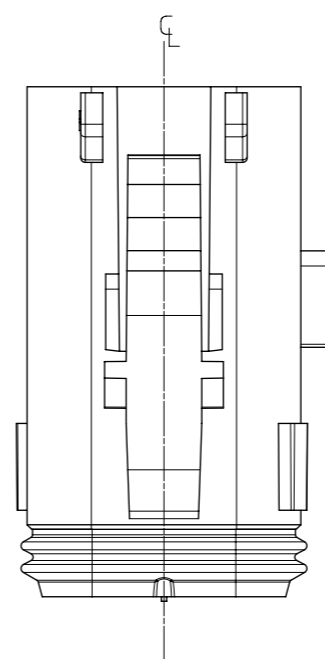
KEYING OPTION A



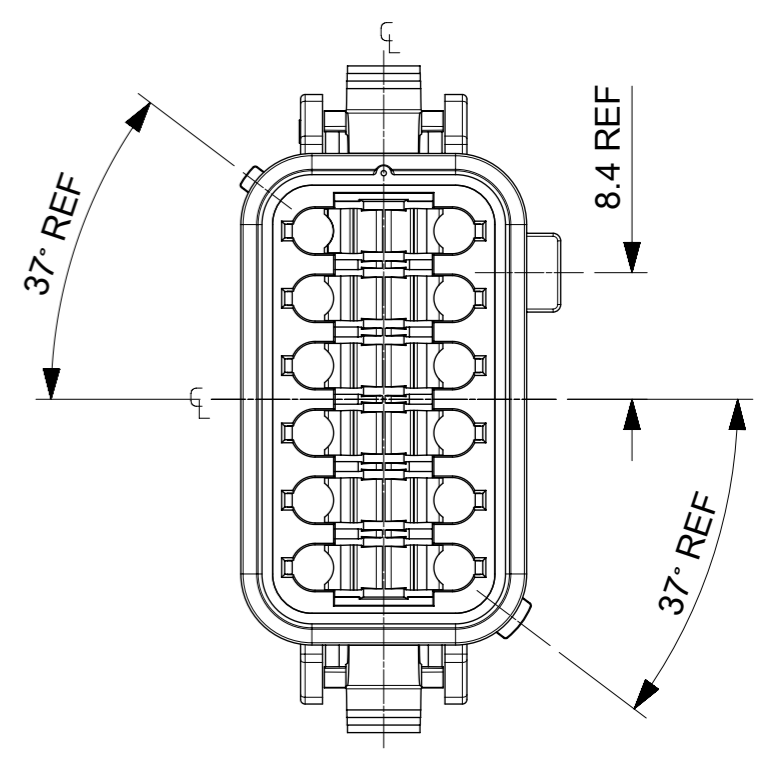
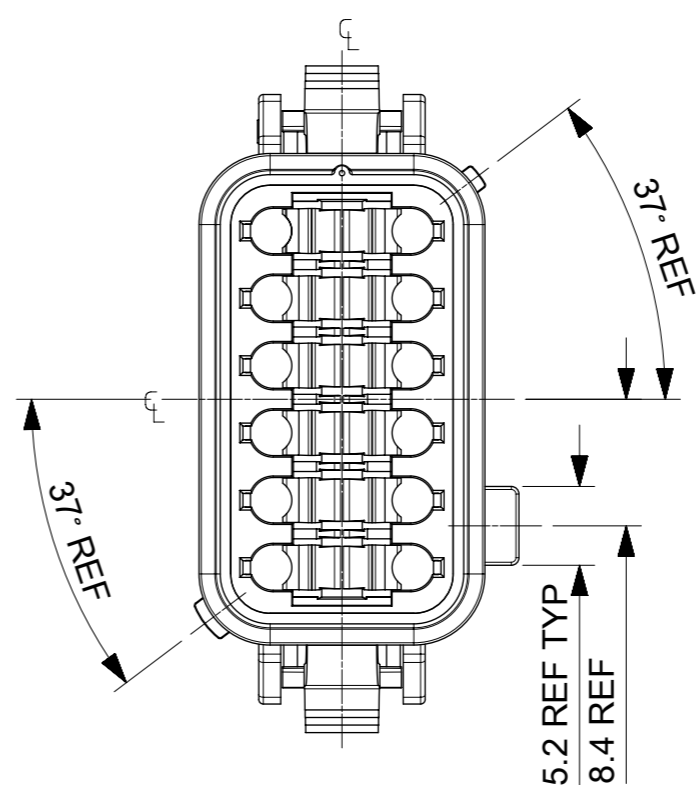
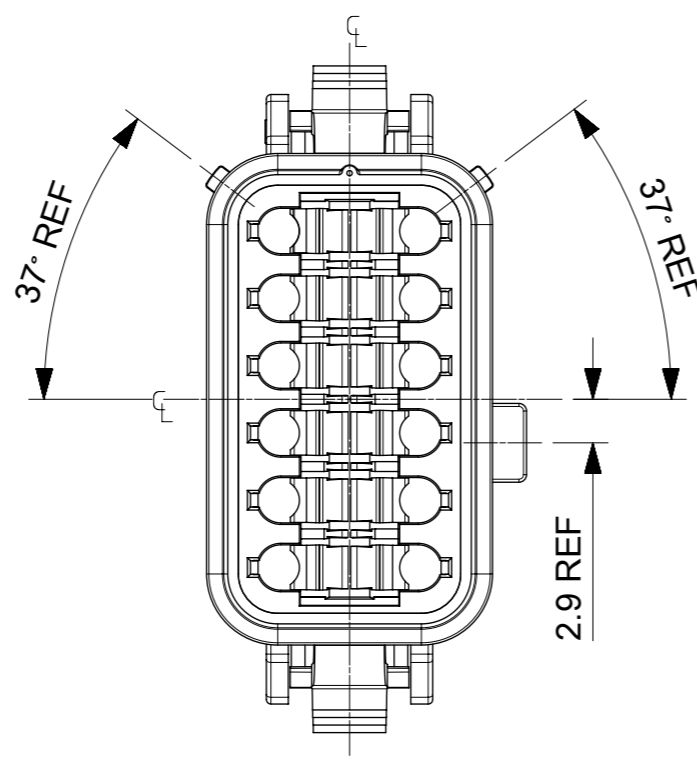
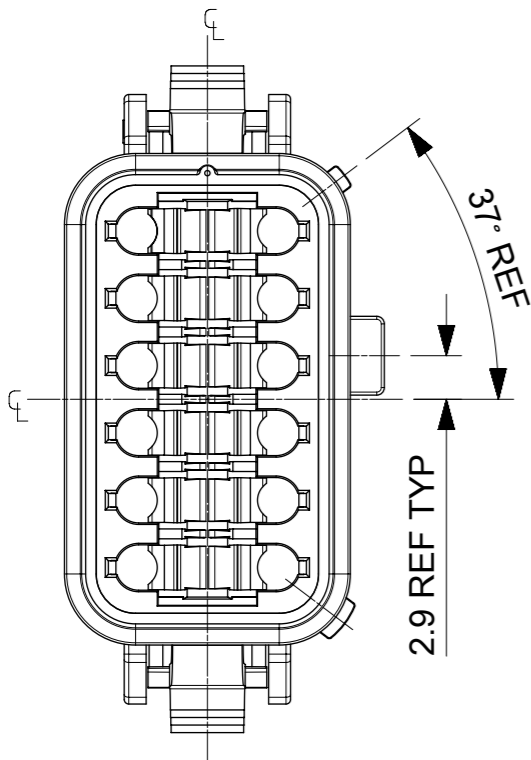
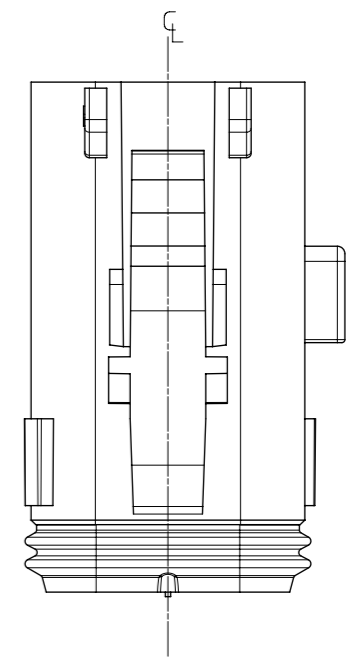
KEYING OPTION B



KEYING OPTION C

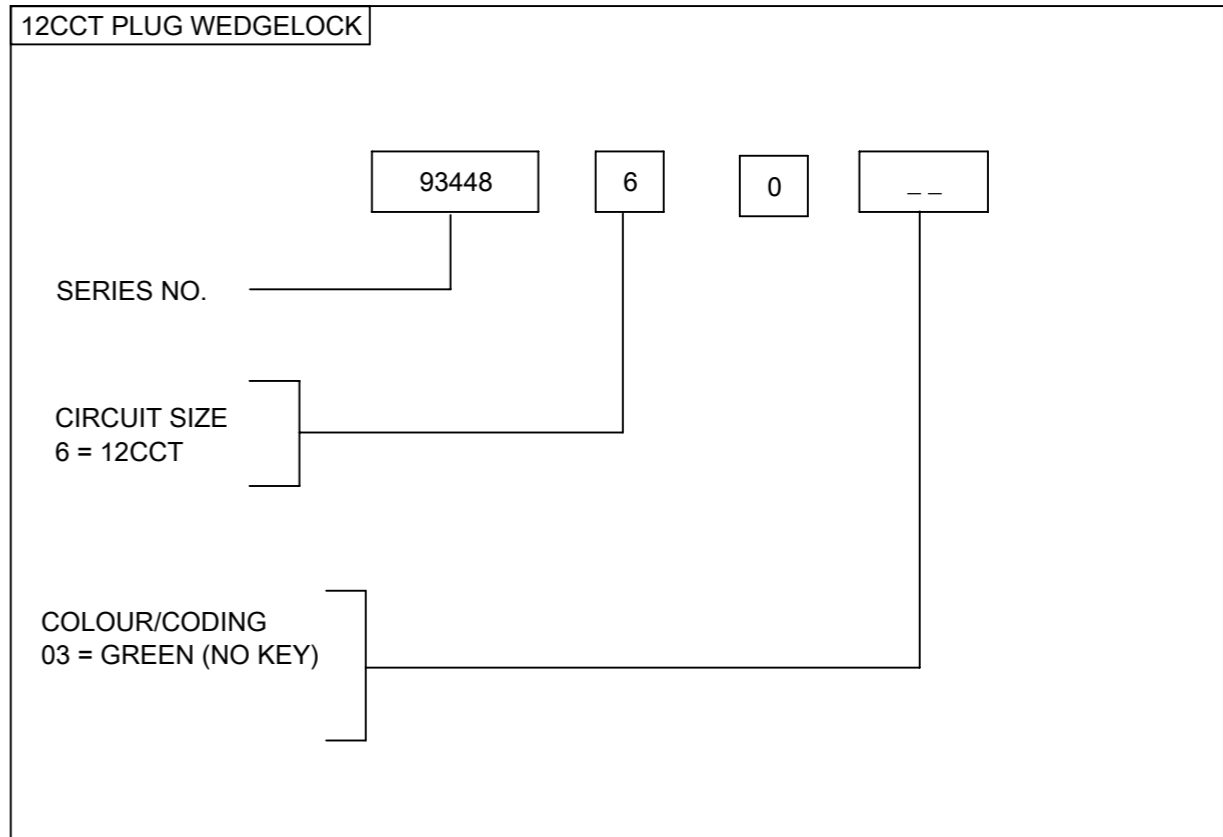
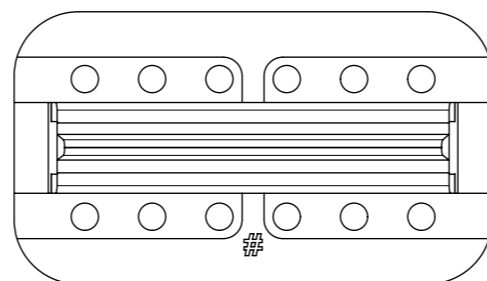
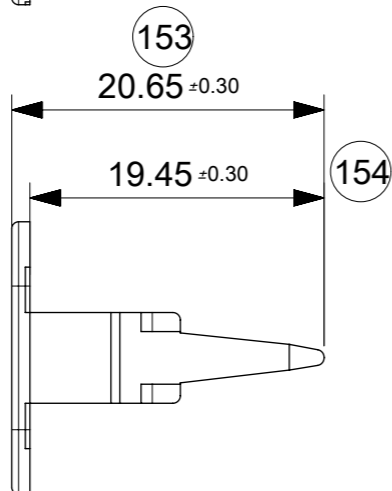
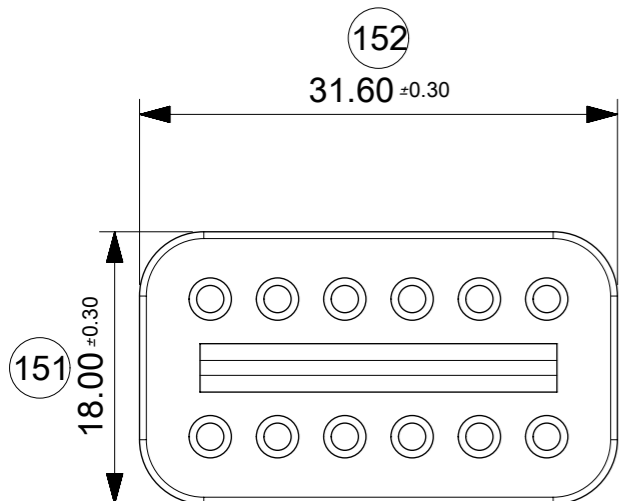
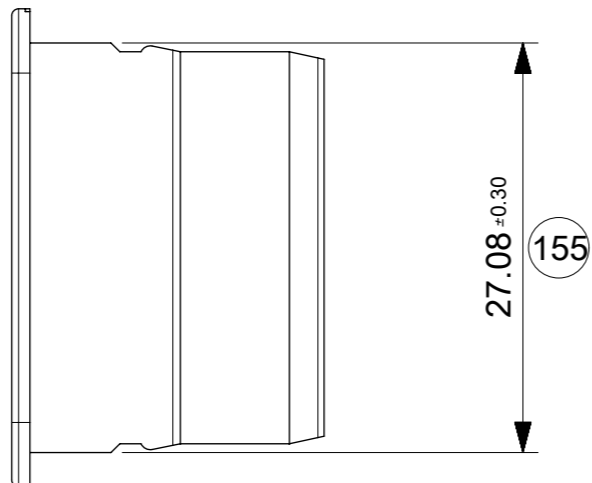
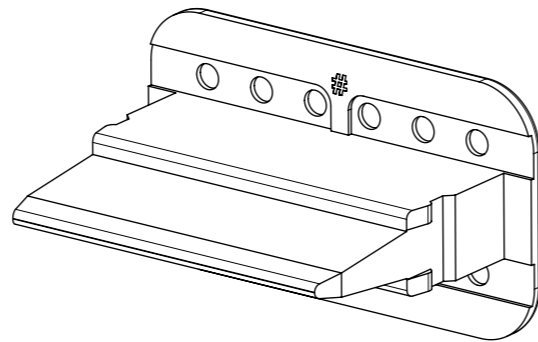
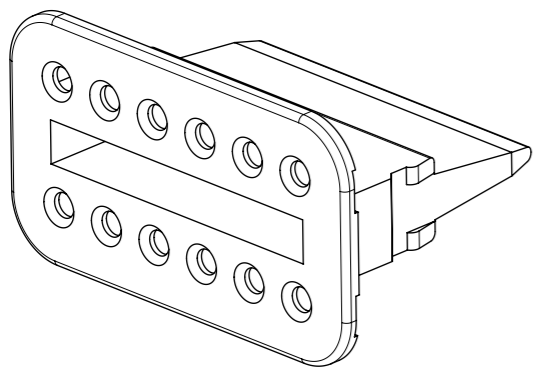


KEYING OPTION D



NOTES
1. SEE SHEETS 6 & 7 FOR UNSPECIFIED NOTES AND DIMENSIONS

<p>QUALITY SYMBOLS</p> <p>▽A = 0</p> <p>▽E = 0</p> <p>▽F = 0</p> <p>▽ = 0</p> <p>▽C = 0</p> <p>⊗ = 0</p> <p>■ = 0</p> <p>▽ = 0</p>	THIS DRAWING CONTAINS INFORMATION THAT IS PROPRIETARY TO MOLEX ELECTRONIC TECHNOLOGIES, LLC AND SHOULD NOT BE USED WITHOUT WRITTEN PERMISSION										
	<p>REDRAWN AND REVISED</p> <p>EC NO: 102179</p> <p>DRWN: JFLETCHER</p> <p>CHK'D: FDUGGAN</p> <p>REV APPR: JDWALLACE</p>	2015/12/16	2016/01/08	GENERAL TOLERANCES (UNLESS SPECIFIED)		DIMENSION UNITS	SCALE				
		ANGULAR TOL ± 2.0 °		MM	2:1						
		4 PLACES ±	DRWN BY		DATE		<p>12CCT ML-XT CV CONNECTOR SYSTEM</p>				
		3 PLACES ±	JFLETCHER	2015/12/16							
		2 PLACES ± 0.1	CHK'D BY		DATE		<p>PRODUCT CUSTOMER DRAWING</p>				
	1 PLACE ± 0.2	FDUGGAN	2016/01/08								
	0 PLACES ±	APPR BY		DATE		SERIES	MATERIAL NUMBER	CUSTOMER			
	DRAFT WHERE APPLICABLE MUST REMAIN WITHIN DIMENSIONS	JDWALLACE		2016/01/14		93443		GENERAL MARKET			
		DRAWING SIZE		THIRD ANGLE PROJECTION		DOCUMENT NUMBER		DOC TYPE	DOC PART	SHEET NUMBER	
	A3				934430060		PSD	000	8 OF 9		



NOTES
 1. MATERIAL
 HOUSING: NYLON 30% GLASS FILL
 2. INSPECTION NUMBERS 151-200 RESERVED FOR SHEET 9
 LAST INSPECTION NUMBER 155

QUALITY SYMBOLS A = 0 E = 0 EP = 0 ▼ = 0 C = 0 ⊗ = 0 ■ = 0 ▽ = 0	THIS DRAWING CONTAINS INFORMATION THAT IS PROPRIETARY TO MOLEX ELECTRONIC TECHNOLOGIES, LLC AND SHOULD NOT BE USED WITHOUT WRITTEN PERMISSION																
	REDRAWN AND REVISED EC NO: 102179 DRWN: JFLETCHER CHK'D: FDUGGAN REV APPR: JDWALLACE	GENERAL TOLERANCES (UNLESS SPECIFIED) ANGULAR TOL ± 2.0 °		DIMENSION UNITS MM		SCALE 2:1											
		4 PLACES ± 3 PLACES ± 2 PLACES ± 0.1 1 PLACE ± 0.2 0 PLACES ±		DRWN BY JFLETCHER		DATE 2015/12/16											
		DRAFT WHERE APPLICABLE MUST REMAIN WITHIN DIMENSIONS		APPR BY JDWALLACE		DATE 2016/01/14		PRODUCT CUSTOMER DRAWING									
DRAWING SIZE A3		THIRD ANGLE PROJECTION 		SERIES 93443		MATERIAL NUMBER 934430060		CUSTOMER GENERAL MARKET		DOCUMENT NUMBER 934430060		DOC TYPE PSD		DOC PART 000		SHEET NUMBER 9 OF 9	