



Chipsmall Limited consists of a professional team with an average of over 10 year of expertise in the distribution of electronic components. Based in Hongkong, we have already established firm and mutual-benefit business relationships with customers from,Europe,America and south Asia,supplying obsolete and hard-to-find components to meet their specific needs.

With the principle of “Quality Parts,Customers Priority,Honest Operation,and Considerate Service”,our business mainly focus on the distribution of electronic components. Line cards we deal with include Microchip,ALPS,ROHM,Xilinx,Pulse,ON,Everlight and Freescale. Main products comprise IC,Modules,Potentiometer,IC Socket,Relay,Connector.Our parts cover such applications as commercial,industrial, and automotives areas.

We are looking forward to setting up business relationship with you and hope to provide you with the best service and solution. Let us make a better world for our industry!



Contact us

Tel: +86-755-8981 8866 Fax: +86-755-8427 6832

Email & Skype: info@chipsmall.com Web: www.chipsmall.com

Address: A1208, Overseas Decoration Building, #122 Zhenhua RD., Futian, Shenzhen, China



9 8 7 6 5 4 3 2 1

E

E

D

D

C

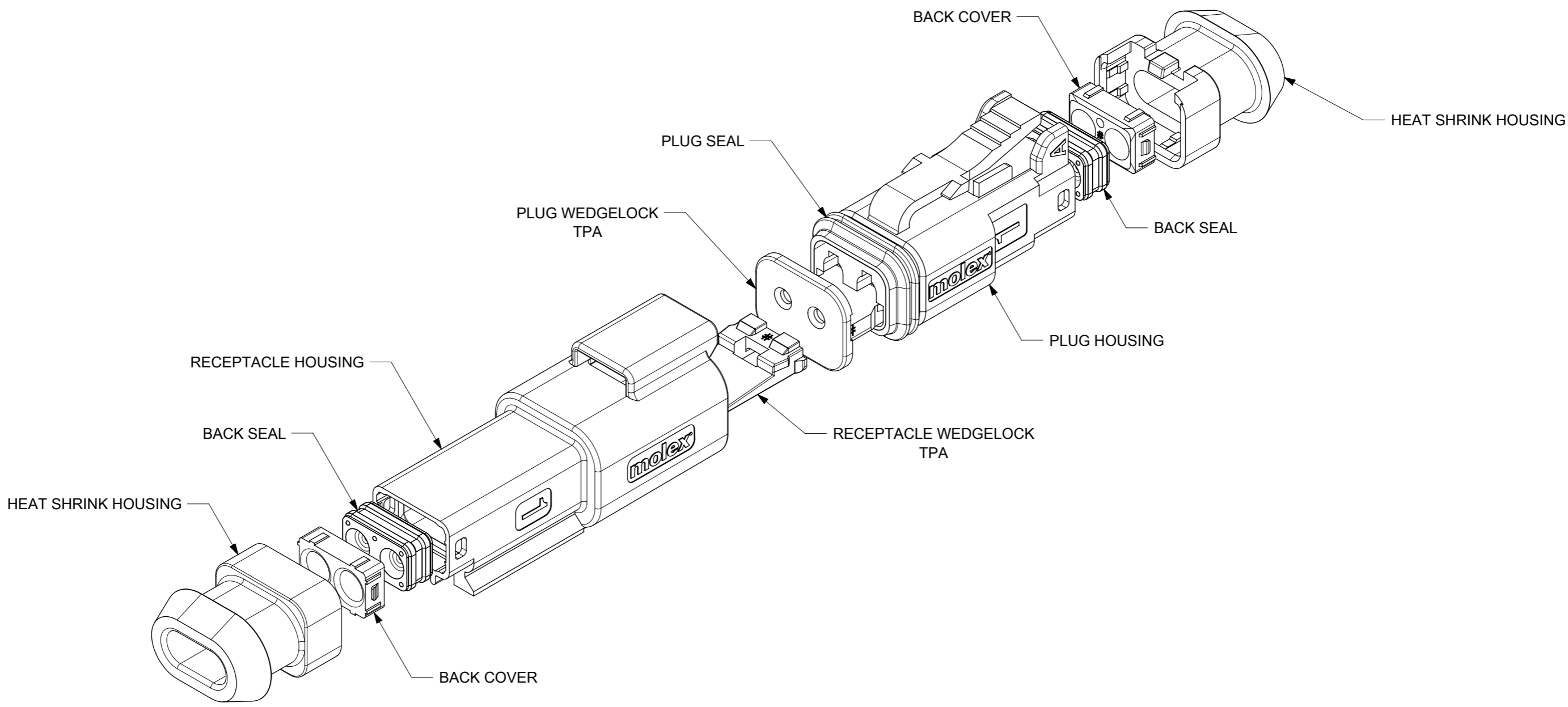
C

B

B

A

A



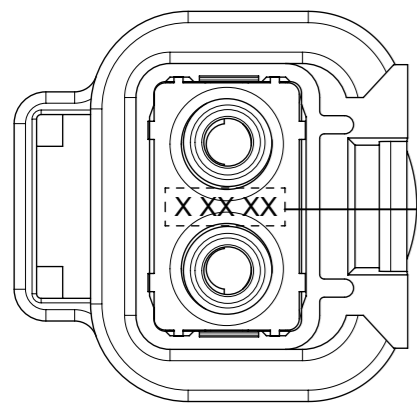
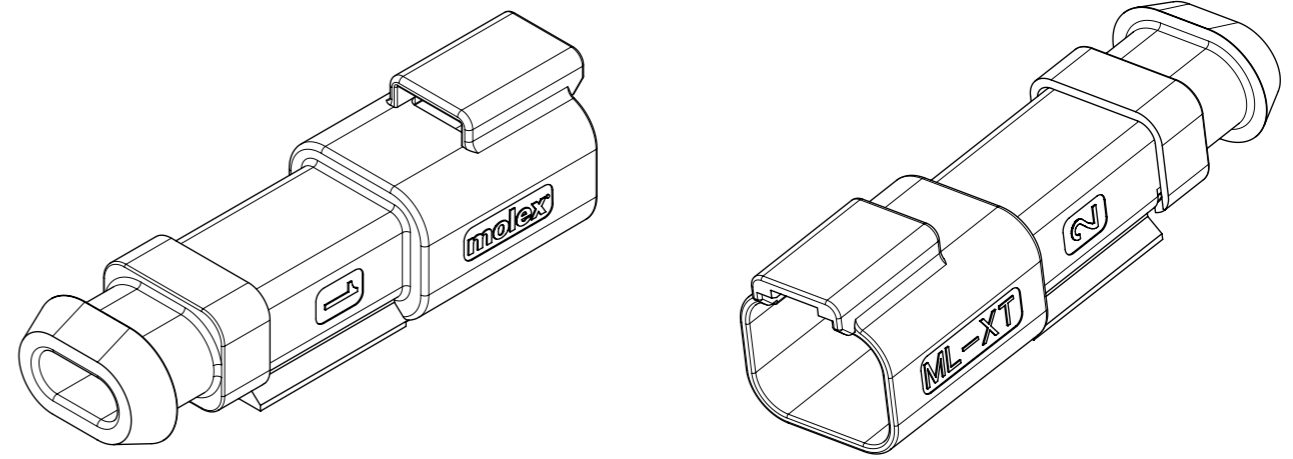
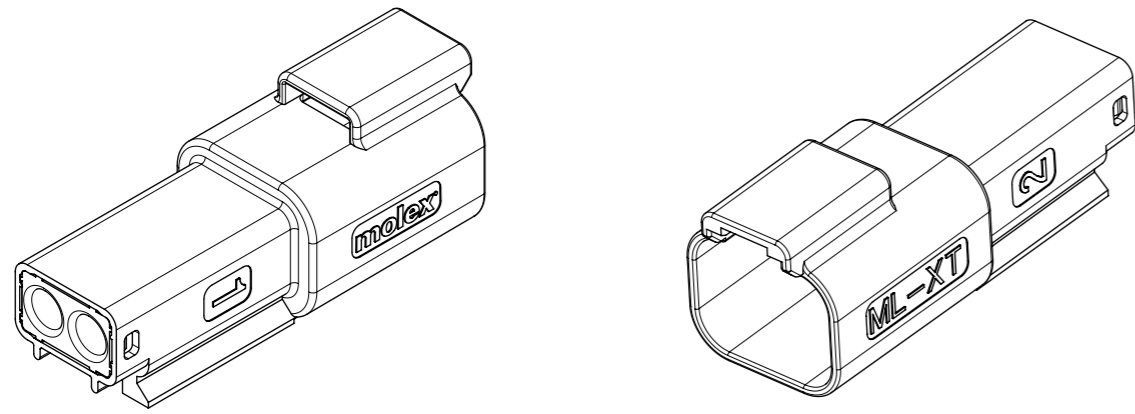
NOTES
 1. SEE SHEETS 2 TO 7 FOR UNSPECIFIED NOTES, DIMENSIONS AND PART NUMBERS

THIS DRAWING CONTAINS INFORMATION THAT IS PROPRIETARY TO MOLEX INCORPORATED AND SHOULD NOT BE USED WITHOUT WRITTEN PERMISSION											
SUPERSEDING SD-93443-0010 EC NO: 110489 DRWN: JFLETCHER CHK'D: FDUGGAN APPR: JDWALLACE	2016/11/16 2016/12/16 2017/01/03	QUALITY SYMBOLS	GENERAL TOLERANCES (UNLESS SPECIFIED)		DIMENSION UNITS	SCALE	molex				
		▽ = 0	ANGULAR TOL ± 2.0 °		MM	2:1					
		▽ = 0	4 PLACES ±	DRWN BY	DATE	2CCT ML-XT CV CONNECTOR					
		▽ = 0	3 PLACES ±	KREILLY	2015/06/12						
		▽ = 0	2 PLACES ± 0.1	CHK'D BY	DATE	PRODUCT CUSTOMER DRAWING					
▽ = 0	1 PLACE ± 0.2	FDUGGAN	2015/09/14								
▽ = 0	0 PLACES ±	APPR BY	DATE	SERIES	MATERIAL NUMBER	CUSTOMER	93443 SEE NOTES GENERAL MARKET				
☒ = 0	DRAFT WHERE APPLICABLE MUST REMAIN WITHIN DIMENSIONS	JDWALLACE	2015/09/15	93443	SEE NOTES	GENERAL MARKET					
■ = 0		DRAWING SIZE	THIRD ANGLE PROJECTION	DOCUMENT NUMBER		DOC TYPE	DOC PART	SHEET NUMBER			
▽ = 0		A3	THIRD ANGLE PROJECTION	934430010		PSD	000	1 OF 9			

9 8 7 6 5 4 3 2 1

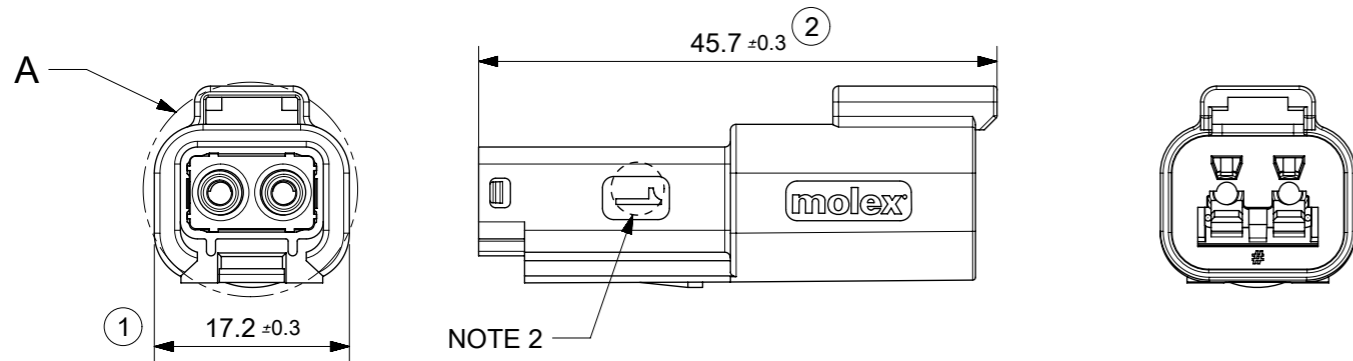
2CCT RECEPTACLE CONNECTOR

2CCT RECEPTACLE CONNECTOR WITH HEATSHRINK HOUSING ULTRASONICALLY WELDED IN PLACE

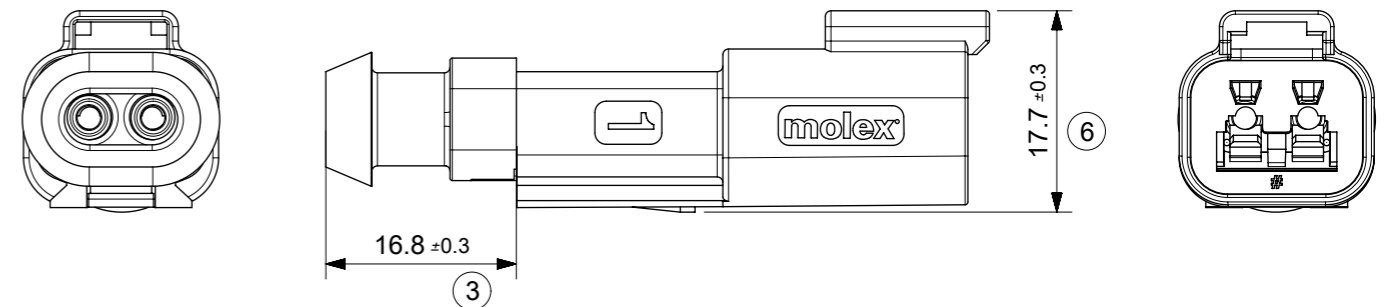
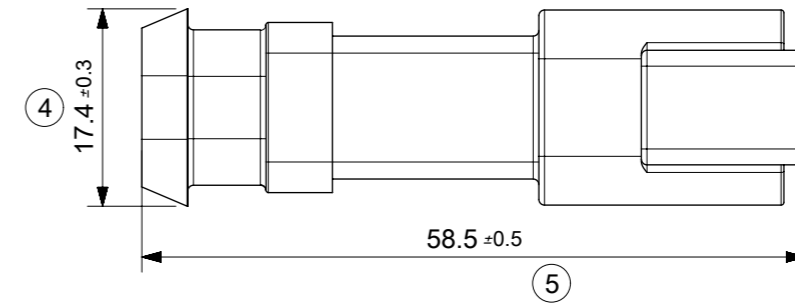


DATE CODE: X XX XX
 X — DAY: 1- 7
 X — WEEK: 01 - 52
 X — YEAR: 00 - 99
 # — MACHINE NO. 1
 EXAMPLE: 11315 = DAY 1, WEEK 13, YEAR 15
 i.e. 23rd OF MARCH 2015

(ROTATED 90°)
 DETAIL A
 SCALE 3:1



NOTE 2



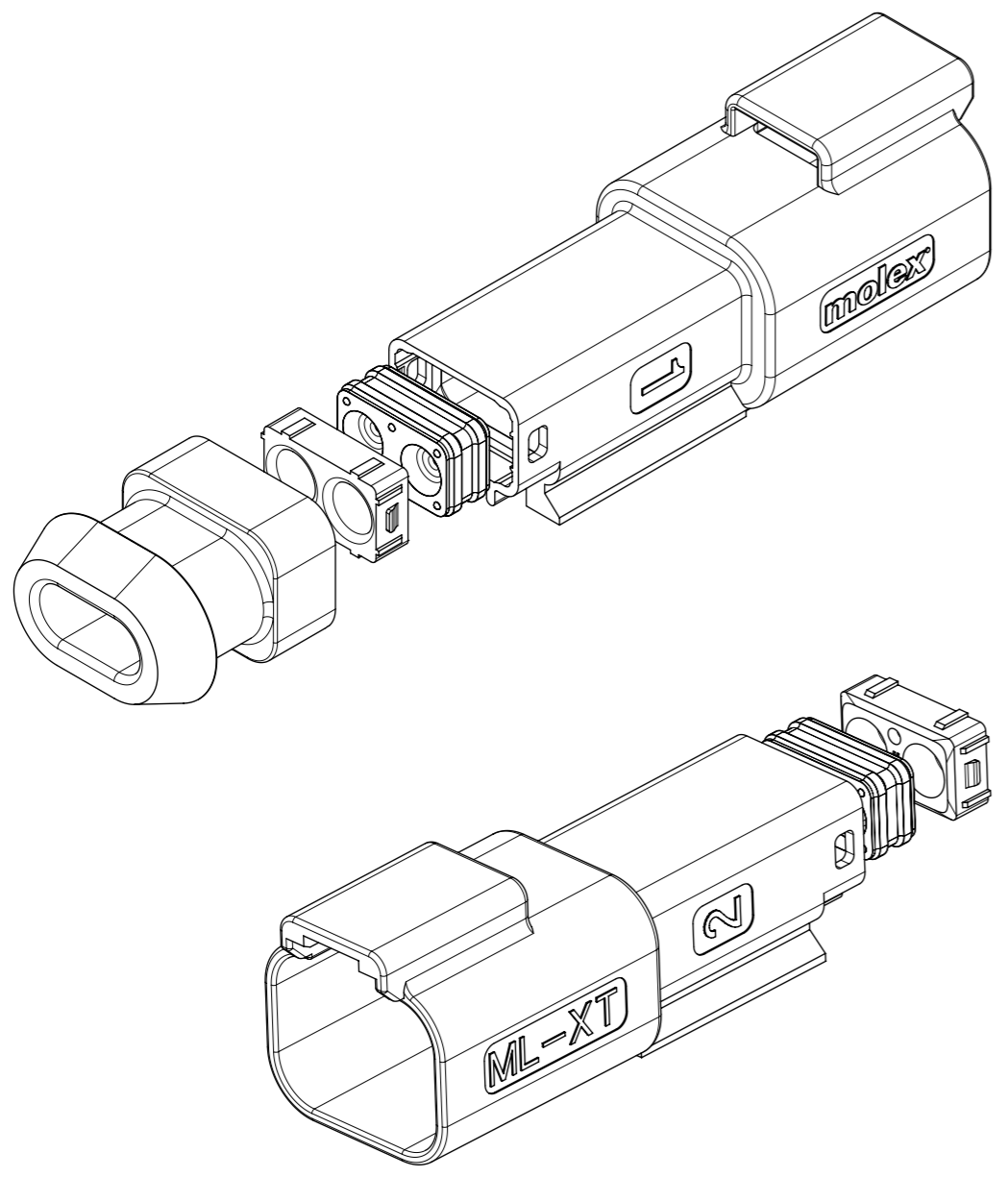
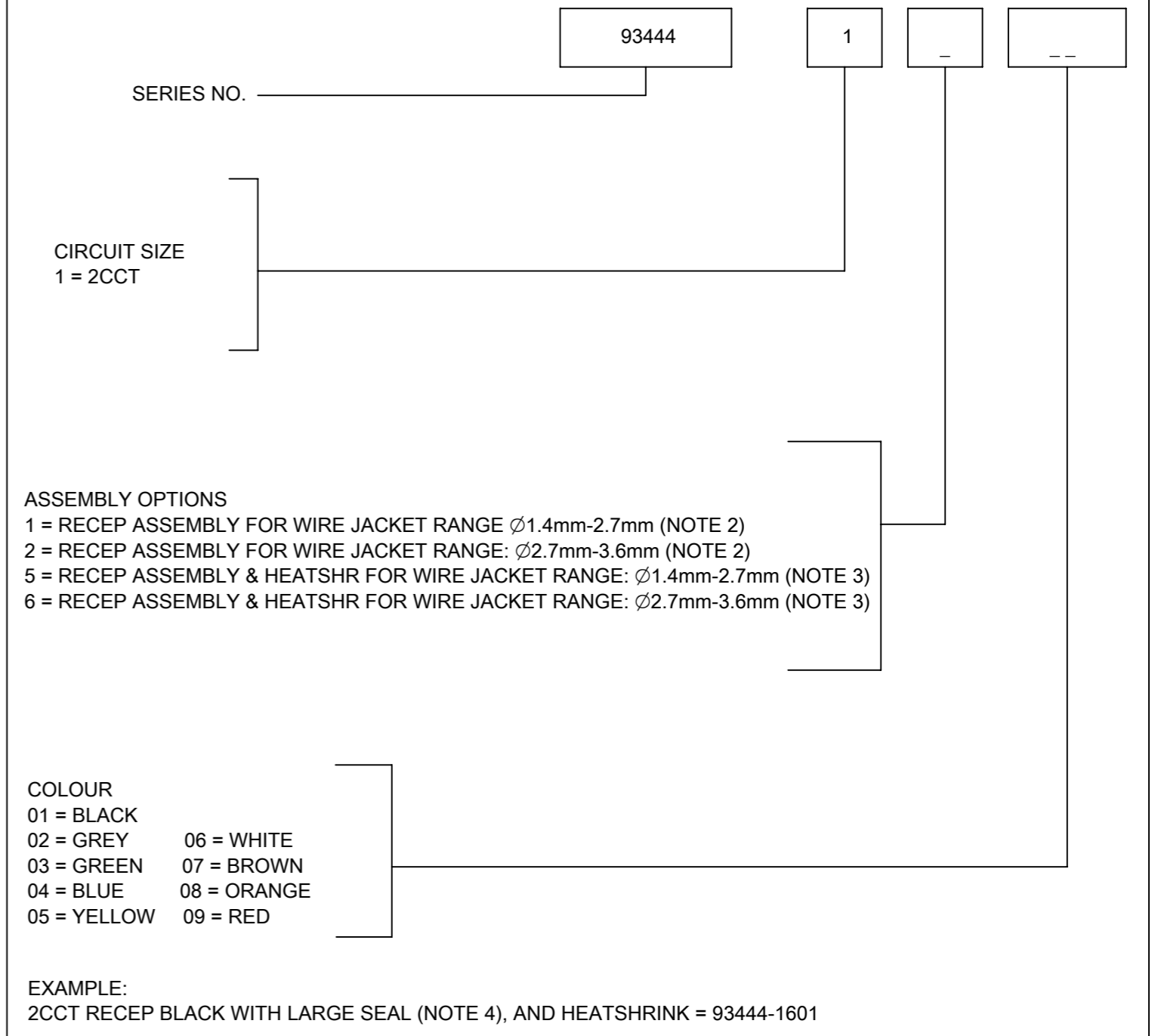
NOTES:

- MATERIAL
 HOUSING: NYLON 30%GF
 BACK SEAL: HIGH CONSISTENCY RUBBER
 - CIRCUIT IDENTIFICATION
 - JACKET RANGE LARGE = 2.7mm TO 3.6mm (SEAL COLOUR: LIGHT BLUE)
 JACKET RANGE SMALL = 1.4mm TO 2.7mm (SEAL COLOUR: BURNT ORANGE)
 - SEE SHEET 3 FOR FINAL PART NUMBER DESIGNATION
 - SEE 934430010 PS P FOR PRODUCT SPECIFICATION
 - SEE 934430002 PS K OR 934430010 PS K FOR PACKAGING SPECIFICATION
- LAST INSPECTION NUMBER: 6
 INSPECTION NUMBERS 1-50 RESERVED FOR SHEET 2

THIS DRAWING CONTAINS INFORMATION THAT IS PROPRIETARY TO MOLEX INCORPORATED AND SHOULD NOT BE USED WITHOUT WRITTEN PERMISSION

SUPERSEDING SD-93443-0010 EC NO: 110489 DRWN: JFLETCHER CHK'D: FDUGGAN APPR: JDWALLACE	2016/11/16 2016/12/16 2017/01/03	QUALITY SYMBOLS ▽ = 0 ▽ = 0 ▽ = 0 ▼ = 0 ▽ = 0 ☒ = 0 ■ = 0 ▽ = 0	GENERAL TOLERANCES (UNLESS SPECIFIED) ANGULAR TOL ± 2.0 ° 4 PLACES ± 3 PLACES ± 2 PLACES ± 0.1 1 PLACE ± 0.2 0 PLACES ±	DIMENSION UNITS MM	SCALE 1.5:1					
	DRWN BY KREILLY		DATE 2015/06/12		2CCT ML-XT CV CONNECTOR					
	CHK'D BY FDUGGAN		DATE 2015/09/14					PRODUCT CUSTOMER DRAWING		
	APPR BY JDWALLACE		DATE 2015/09/15		SERIES 93443	MATERIAL NUMBER SEE SHEET 3	CUSTOMER GENERAL MARKET			
A3	REV	DRAFT WHERE APPLICABLE MUST REMAIN WITHIN DIMENSIONS		DRAWING SIZE A3	THIRD ANGLE PROJECTION		DOCUMENT NUMBER 934430010	DOC TYPE PSD	DOC PART 000	SHEET NUMBER 2 OF 9

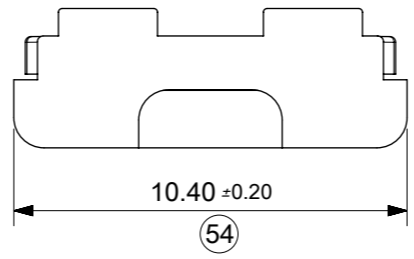
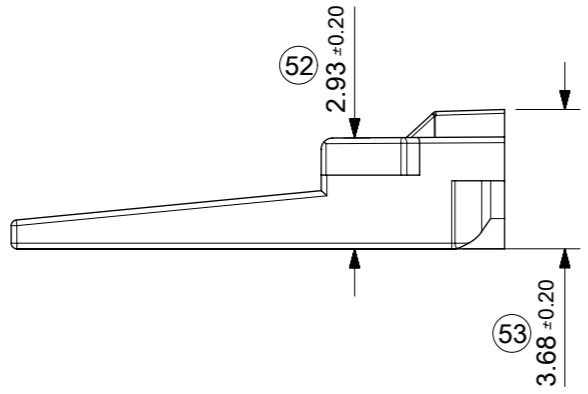
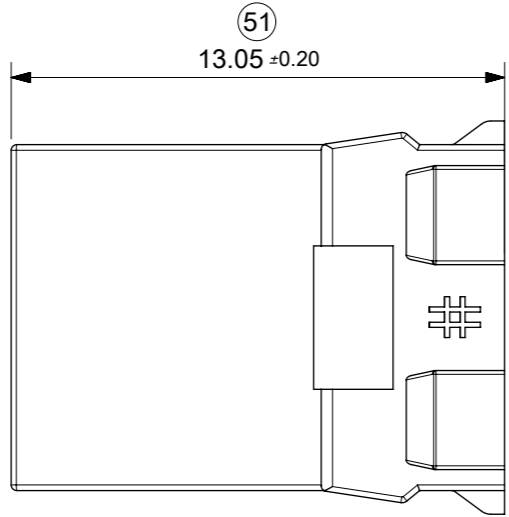
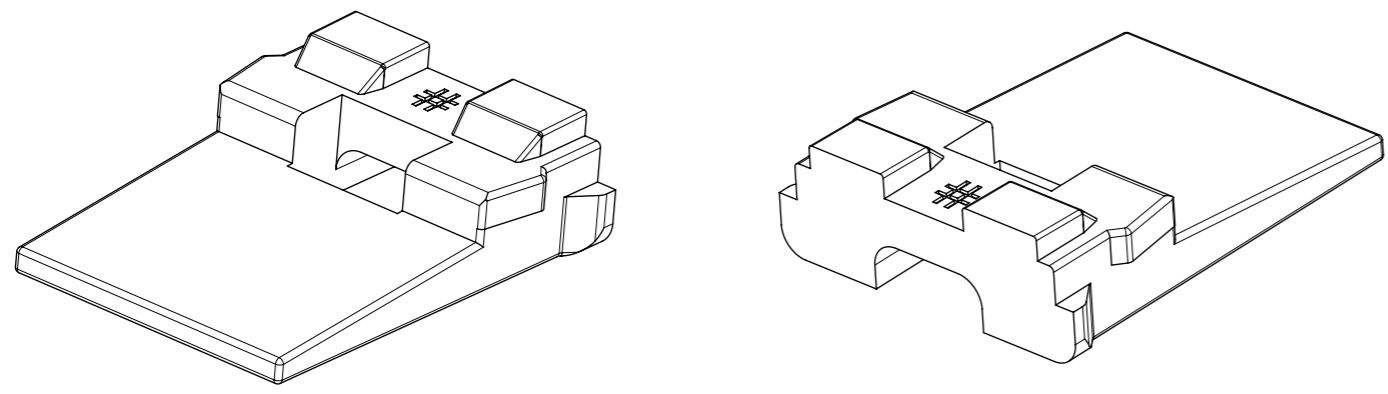
2CCT RECEPTACLE CONNECTOR



- Notes:
1. SEE SHEET 2 FOR UNSPECIFIED NOTES AND DIMENSIONS
 2. BACK COVER HOUSING COLOUR: BLACK
 3. HEATSHRINK HOUSING COLOUR: BLACK
 4. JACKET RANGE LARGE = 2.7mm TO 3.6mm (SEAL COLOUR: LIGHT BLUE)
 JACKET RANGE SMALL = 1.4mm TO 2.7mm (SEAL COLOUR: BURNT ORANGE)

THIS DRAWING CONTAINS INFORMATION THAT IS PROPRIETARY TO MOLEX INCORPORATED AND SHOULD NOT BE USED WITHOUT WRITTEN PERMISSION																					
SUPERSEDING SD-93443-0010	EC NO: 110489	DRWN: JFLETCHER	2016/11/16	CHK'D: FDUGGAN	2016/12/16	APPR: JDWALLACE	2017/01/03	QUALITY SYMBOLS	GENERAL TOLERANCES (UNLESS SPECIFIED)	DIMENSION UNITS	SCALE										
	4 PLACES \pm		3 PLACES \pm		2 PLACES \pm 0.1		1 PLACE \pm 0.2		0 PLACES \pm		MM		2:1								
	ANGULAR TOL \pm 2.0 °		DRAFT WHERE APPLICABLE MUST REMAIN WITHIN DIMENSIONS		DRWN BY		DATE		CHK'D BY		DATE										
	KREILLY		2015/06/12		FDUGGAN		2015/09/14		JDWALLACE		2015/09/15										
A3	REV	A3		THIRD ANGLE PROJECTION		DRAWING SIZE		A3		SERIES		MATERIAL NUMBER		CUSTOMER							
93443		SEE CHART		GENERAL MARKET		DOCUMENT NUMBER		934430010		DOC TYPE		PSD		DOC PART		000		SHEET NUMBER		3 OF 9	

9 8 7 6 5 4 3 2 1



2CCT RECEP. WEDGELOCK

SERIES NO. 93447 1 0 --

CIRCUIT SIZE 1 = 2CCT

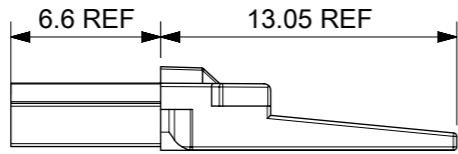
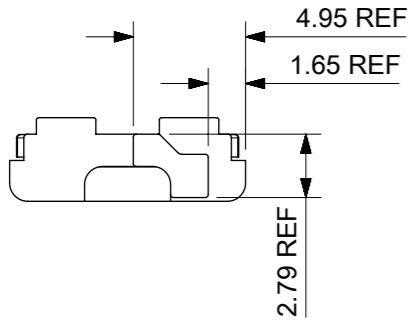
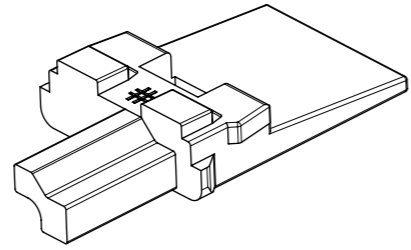
COLOUR/KEYING
 03 = GREEN (NO KEY)
 12 = GREY A KEY
 21 = BLACK B KEY
 33 = GREEN C KEY
 47 = BROWN D KEY

NOTES
 1. MATERIAL
 HOUSING: NYLON 30%GF
 2. INSPECTION NUMBERS 51-100
 RESERVED FOR SHEET 4
 3. PART NUMBER 934471003 SHOWN
 LAST INSPECTION NUMBER 54

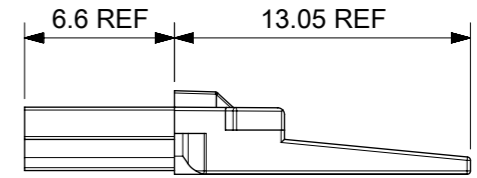
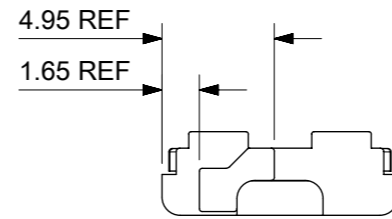
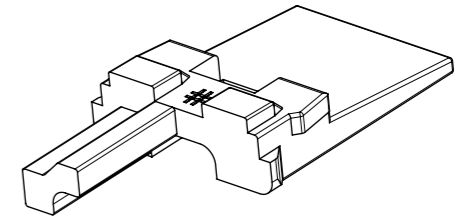
THIS DRAWING CONTAINS INFORMATION THAT IS PROPRIETARY TO MOLEX INCORPORATED AND SHOULD NOT BE USED WITHOUT WRITTEN PERMISSION											
SUPERSEDING SD-93443-0010 EC NO: 110489 DRWN: JFLETCHER CHK'D: FDUGGAN APPR: JDWALLACE	2016/11/16 2016/12/16 2017/01/03	QUALITY SYMBOLS	GENERAL TOLERANCES (UNLESS SPECIFIED)		DIMENSION UNITS	SCALE					
		▽ = 0 ▽ = 0 ▽ = 0 ▼ = 0 ▽ = 0 ☒ = 0 ■ = 0 ▽ = 0	ANGULAR TOL ± 2.0 ° 4 PLACES ± 3 PLACES ± 2 PLACES ± 0.1 1 PLACE ± 0.2 0 PLACES ±		MM	5:1					
		DRWN BY	DATE	KREILLY		2015/06/12	2CCT ML-XT CV CONNECTOR				
		CHK'D BY	DATE	FDUGGAN		2015/09/14					
		APPR BY	DATE	JDWALLACE		2015/09/15	PRODUCT CUSTOMER DRAWING				
DRAWING SIZE	THIRD ANGLE PROJECTION	A3				SERIES	MATERIAL NUMBER	CUSTOMER			
		A3				93443	SEE CHART	GENERAL MARKET			
						DOCUMENT NUMBER	DOC TYPE	DOC PART	SHEET NUMBER		
						934430010	PSD	000	4 OF 9		

9 8 7 6 5 4 3 2 1

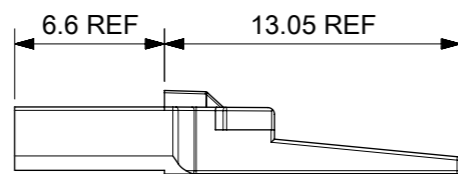
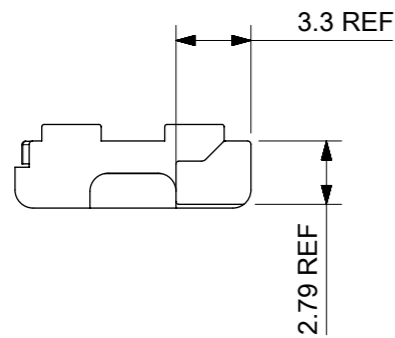
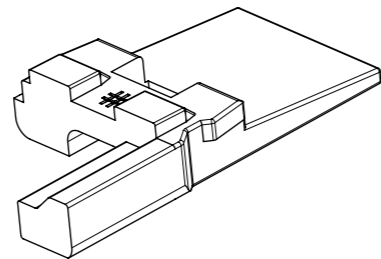
934471012 (KEY A)
COLOUR GREY



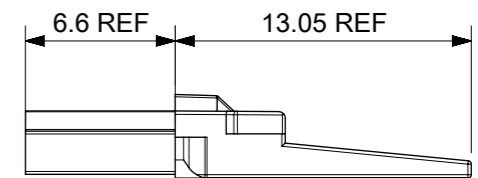
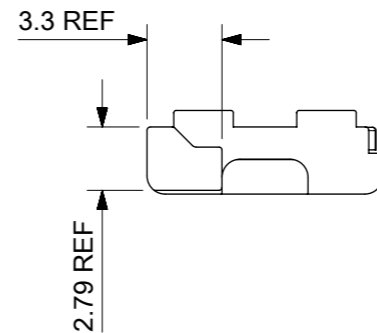
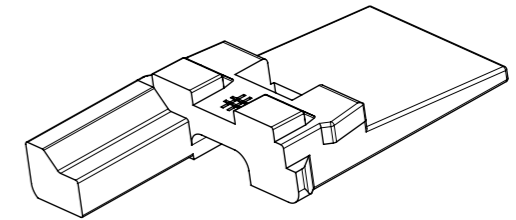
934471021 (KEY B)
COLOUR BLACK



934471033 (KEY C)
COLOUR GREEN



934471047 (KEY D)
COLOUR BROWN



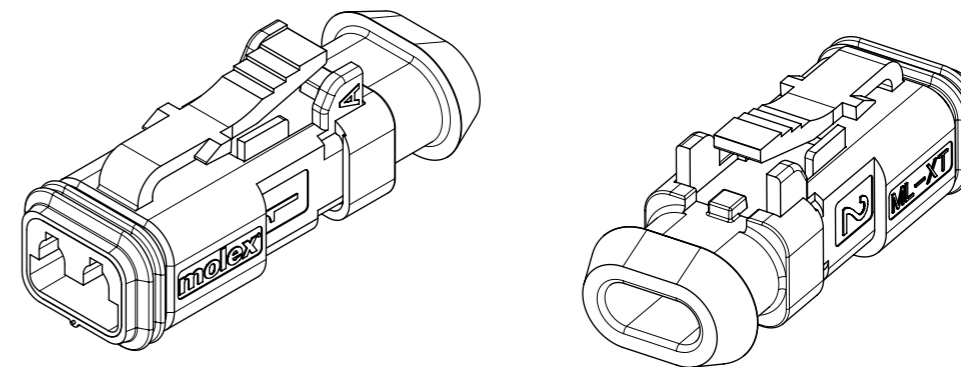
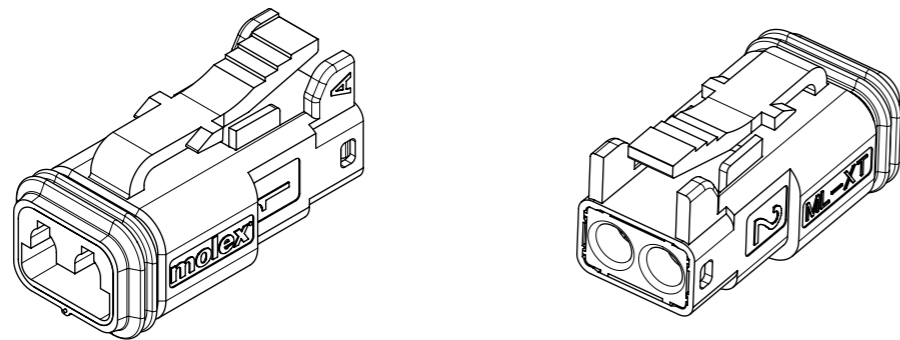
NOTES:
1. MATERIAL PA66 30%GF
2. SEE SHEET 4 FOR UNSPECIFIED NOTES & DIMENSIONS

THIS DRAWING CONTAINS INFORMATION THAT IS PROPRIETARY TO MOLEX INCORPORATED AND SHOULD NOT BE USED WITHOUT WRITTEN PERMISSION

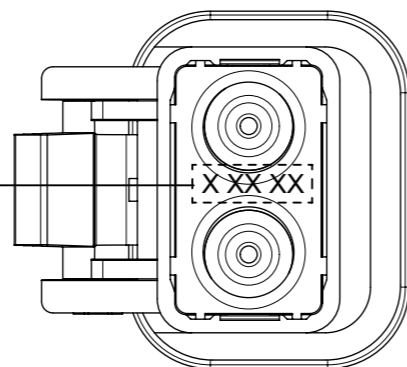
SUPERSEDING SD-93443-0010 EC NO: 110489 DRWN: JFLETCHER CHKD: FDUGGAN APPR: JDWALLACE	2016/11/16	2016/12/16	2017/01/03	QUALITY SYMBOLS	GENERAL TOLERANCES (UNLESS SPECIFIED) ANGULAR TOL ± 2.0 ° 4 PLACES ± 3 PLACES ± 2 PLACES ± 0.1 1 PLACE ± 0.2 0 PLACES ± DRAFT WHERE APPLICABLE MUST REMAIN WITHIN DIMENSIONS	DIMENSION UNITS	SCALE							
				MM		3:1	DRWN BY				DATE	2CCT ML-XT CV CONNECTOR		
						▽ = 0 ▽ = 0 ▽ = 0 ▼ = 0 ▽ = 0 ☒ = 0 ■ = 0 ▽ = 0					PRODUCT CUSTOMER DRAWING			
												SERIES	MATERIAL NUMBER	CUSTOMER
A3						A3	THIRD ANGLE PROJECTION	93443	934430010	93443		PSD	000	5 OF 9

2CCT PLUG CONNECTOR

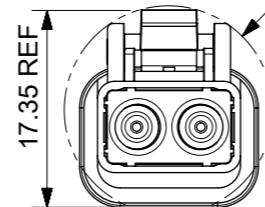
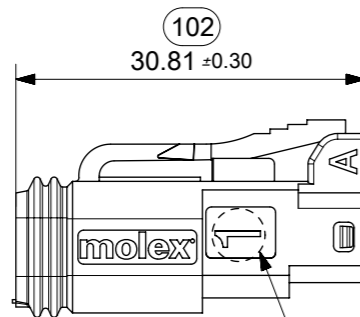
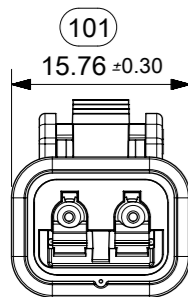
2CCT PLUG CONNECTOR WITH HEATSHRINK HOUSING ULTRA SONICALLY WELDED IN PLACE



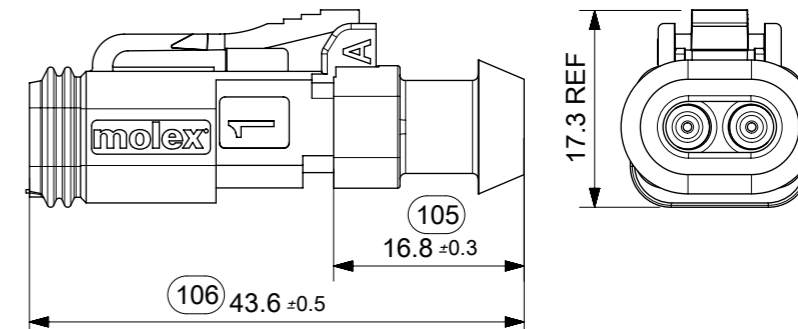
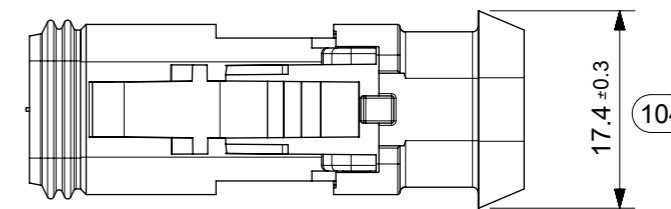
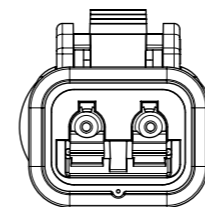
DATE CODE: X XX XX
 X — DAY: 1 - 7
 X — WEEK: 01 - 52
 X — YEAR: 00 - 99
 # — MACHINE NO. 1
 EXAMPLE: 11315 = DAY 1, WEEK 13, YEAR 15
 i.e. 23RD OF MARCH 2015



(ROTATED 90°)
 DETAIL B
 SCALE 3:1



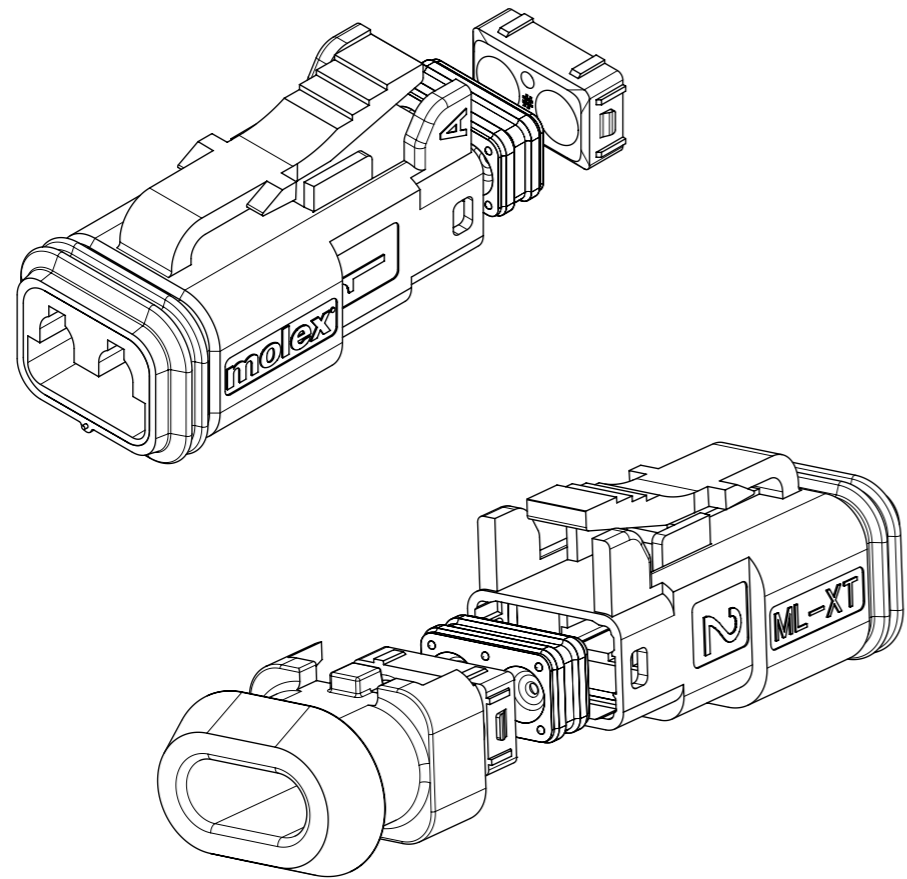
NOTE 2



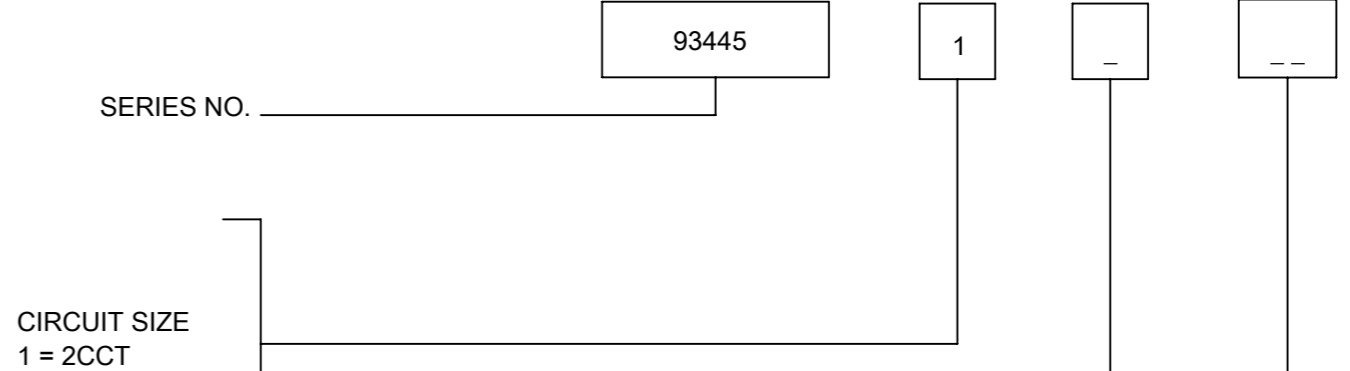
- NOTES
- MATERIAL
 HOUSING: NYLON 30%GF
 PLUG SEAL: SILICONE RUBBER
 BACK SEAL: HIGH CONSISTENCY RUBBER
 - CIRCUIT IDENTIFICATION
 - JACKET RANGE LARGE = 2.7mm TO 3.6mm (SEAL COLOUR: LIGHT BLUE)
 JACKET RANGE SMALL = 1.4mm TO 2.7mm (SEAL COLOUR: BURNT ORANGE)
 - SEE SHEET 7 FOR FINAL PART NUMBER DESIGNATION
 - INSPECTION NUMBERS 101-150 RESERVED FOR SHEET 6
 LAST INSPECTION NUMBER 106.
 INSPECTION NUMBERS 103 & 107 DELETED.

THIS DRAWING CONTAINS INFORMATION THAT IS PROPRIETARY TO MOLEX INCORPORATED AND SHOULD NOT BE USED WITHOUT WRITTEN PERMISSION

SUPERSEDING SD-93443-0010 EC NO: 110489 DRWN: JFLETCHER CHK'D: FDUGGAN APPR: JDWALLACE	2016/11/16 2016/12/16 2017/01/03	QUALITY SYMBOLS ▽ = 0 ▽ = 0 ▽ = 0 ▼ = 0 ▽ = 0 ☒ = 0 ■ = 0 ▽ = 0	GENERAL TOLERANCES (UNLESS SPECIFIED) ANGULAR TOL ± 2.0 ° 4 PLACES ± 3 PLACES ± 2 PLACES ± 0.1 1 PLACE ± 0.2 0 PLACES ± DRAFT WHERE APPLICABLE MUST REMAIN WITHIN DIMENSIONS	DIMENSION UNITS MM SCALE 1.5:1	DRWN BY KREILLY DATE 2015/06/12		2CCT ML-XT CV CONNECTOR			
	CHK'D BY FDUGGAN DATE 2015/09/14	APPR BY JDWALLACE DATE 2015/09/15	DRAWING SIZE A3	THIRD ANGLE PROJECTION	SERIES 93443					MATERIAL NUMBER SEE SHEET 7
	A3	REV	DRAWING SIZE A3	THIRD ANGLE PROJECTION	DOCUMENT NUMBER 934430010	DOC TYPE PSD	DOC PART 000	SHEET NUMBER 6 OF 9	PRODUCT CUSTOMER DRAWING	



2CCT PLUG CONNECTOR



KEYING/ASSY OPTIONS

- 1 = PLUG ASSEMBLY FOR WIRE JACKET RANGE ϕ 1.4mm-2.7mm (NOTE 2)
- 2 = PLUG ASSEMBLY FOR WIRE JACKET RANGE: ϕ 2.7mm-3.6mm (NOTE 2)
- 5 = PLUG ASSEMBLY & HEATSHR FOR WIRE JACKET RANGE: ϕ 1.4mm-2.7mm (NOTE 3)
- 6 = PLUG ASSEMBLY & HEATSHR FOR WIRE JACKET RANGE: ϕ 2.7mm-3.6mm (NOTE 3)

COLOUR

- 01 = BLACK
- 02 = GREY
- 03 = GREEN
- 04 = BLUE
- 05 = YELLOW
- 06 = WHITE
- 07 = BROWN
- 08 = ORANGE
- 09 = RED

EXAMPLE:

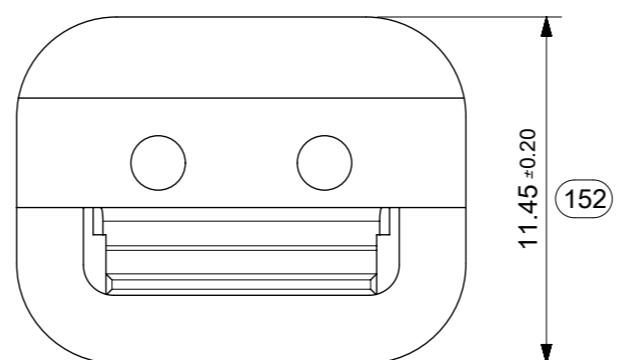
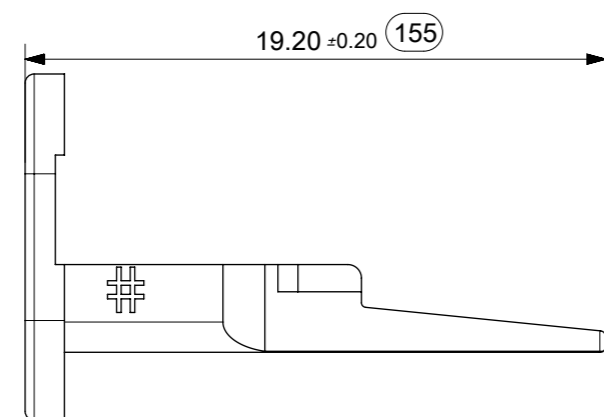
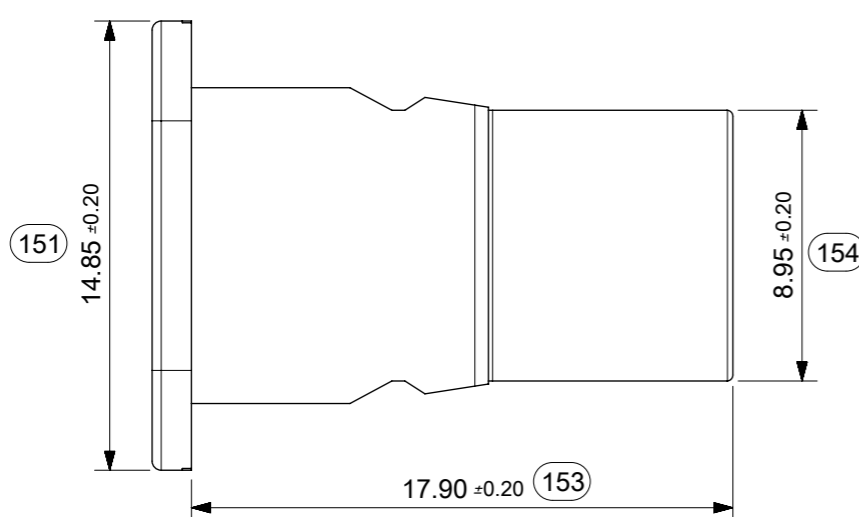
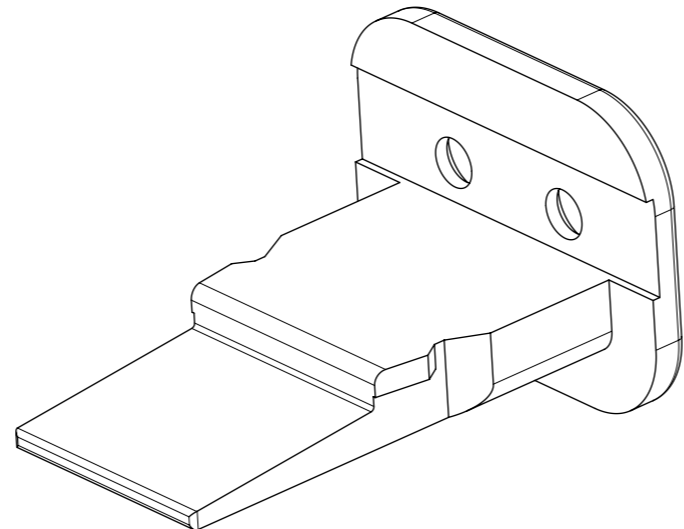
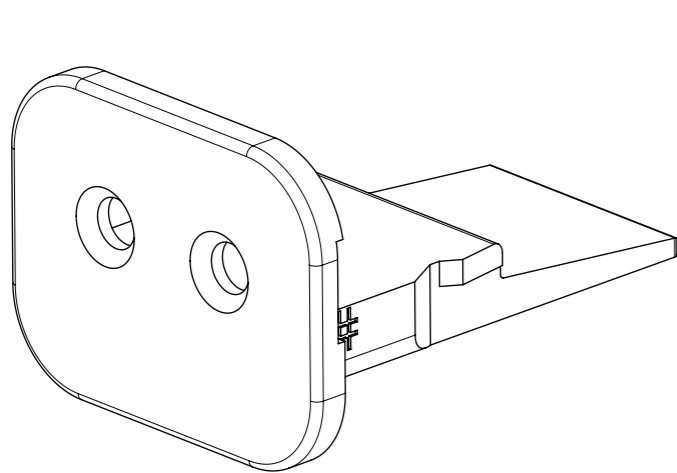
2CCT PLUG BLACK WITH LARGE SEAL (NOTE 4), AND HEATSHRINK = 93445-1601

Notes:

1. SEE SHEET 2 FOR UNSPECIFIED NOTES AND DIMENSIONS
2. BACK COVER HOUSING COLOUR: BLACK
3. HEATSHRINK HOUSING COLOUR: BLACK
4. JACKET RANGE LARGE = 2.7mm TO 3.6mm (SEAL COLOUR: LIGHT BLUE)
JACKET RANGE SMALL = 1.4mm TO 2.7mm (SEAL COLOUR: BURNT ORANGE)

THIS DRAWING CONTAINS INFORMATION THAT IS PROPRIETARY TO MOLEX INCORPORATED AND SHOULD NOT BE USED WITHOUT WRITTEN PERMISSION

SUPERSEDING SD-93443-0010 EC NO: 110489 DRWN: JFLETCHER CHK'D: FDUGGAN APPR: JDWALLACE	2016/11/16 2016/12/16 2017/01/03	QUALITY SYMBOLS ▽ = 0 ▽ = 0 ▽ = 0 ▼ = 0 ▽ = 0 ☒ = 0 ■ = 0 ▽ = 0	GENERAL TOLERANCES (UNLESS SPECIFIED) ANGULAR TOL ± 2.0 ° 4 PLACES ± 3 PLACES ± 2 PLACES ± 0.1 1 PLACE ± 0.2 0 PLACES ± DRAFT WHERE APPLICABLE MUST REMAIN WITHIN DIMENSIONS	DIMENSION UNITS MM	SCALE 2:1			
	DRWN BY KREILLY	DATE 2015/06/12	2CCT ML-XT CV CONNECTOR					
	CHK'D BY FDUGGAN	DATE 2015/09/14	PRODUCT CUSTOMER DRAWING					
	APPR BY JDWALLACE	DATE 2015/09/15	SERIES 93443	MATERIAL NUMBER SEE CHART	CUSTOMER GENERAL MARKET			
A3	REV 1	DRAWING SIZE A3	THIRD ANGLE PROJECTION 	DOCUMENT NUMBER 934430010	DOC TYPE PSD	DOC PART 000	SHEET NUMBER 7 OF 9	



2CCT PLUG WEDGELOCK

SERIES NO. 93448 1 0 --

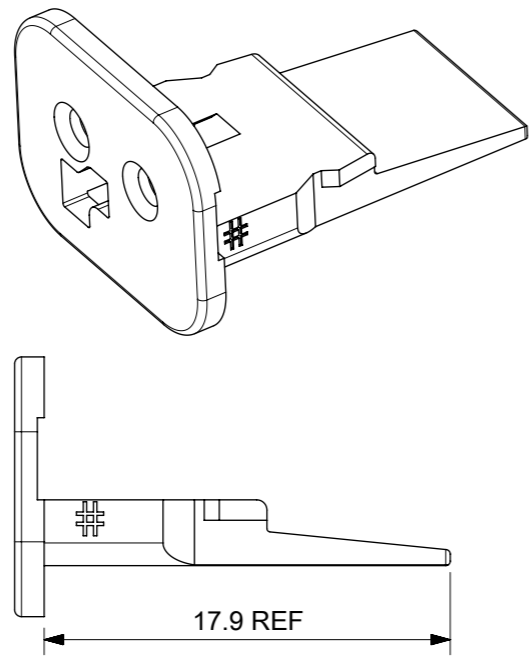
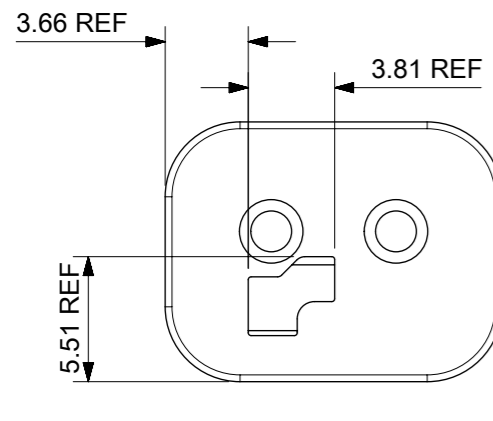
CIRCUIT SIZE
1 = 2CCT

COLOUR/KEYING
03 = GREEN (NO KEY)
12 = GREY A KEY
21 = BLACK B KEY
33 = GREEN C KEY
47 = BROWN D KEY

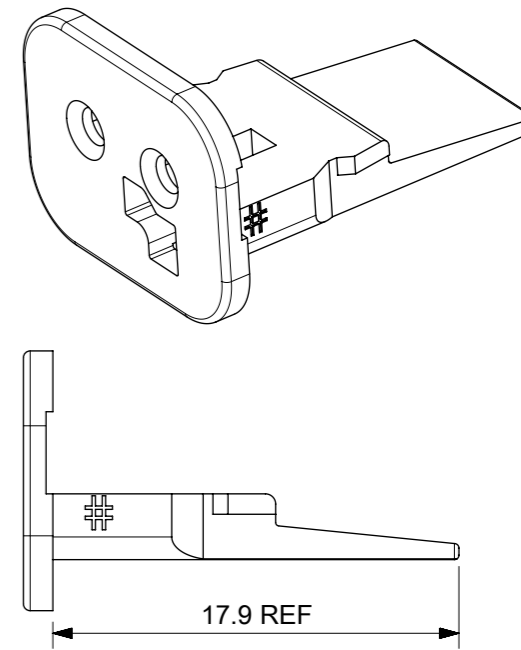
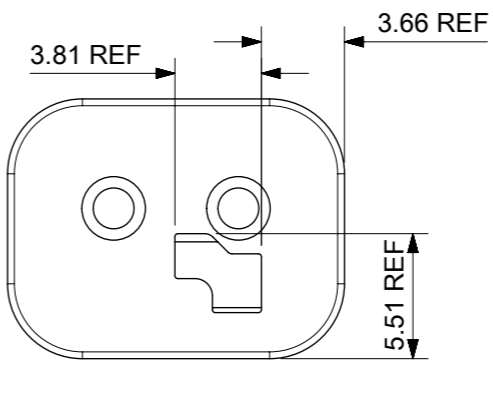
NOTES
 1. MATERIAL
 HOUSING: NYLON 30%GF
 2. INSPECTION NUMBERS 151-200 RESERVED FOR SHEET 8
 3. PART NUMBER 934481003 SHOWN
 LAST INSPECTION NUMBER 155

THIS DRAWING CONTAINS INFORMATION THAT IS PROPRIETARY TO MOLEX INCORPORATED AND SHOULD NOT BE USED WITHOUT WRITTEN PERMISSION														
SUPERSEDING SD-93443-0010 EC NO: 110489 DRWN: JFLETCHER 2016/11/16 CHK'D: FDUGGAN 2016/12/16 APPR: JDWALLACE 2017/01/03	QUALITY SYMBOLS ▽ = 0 ▽ = 0 ▽ = 0 ▼ = 0 ▽ = 0 ☒ = 0 ■ = 0 ▽ = 0	GENERAL TOLERANCES (UNLESS SPECIFIED)		DIMENSION UNITS	SCALE									
		ANGULAR TOL ± 2.0 °		MM	4:1									
		4 PLACES ±	3 PLACES ±	2 PLACES ± 0.1	1 PLACE ± 0.2	0 PLACES ±	DRWN BY	DATE	2CCT ML-XT CV CONNECTOR					
		DRAFT WHERE APPLICABLE MUST REMAIN WITHIN DIMENSIONS		A3	THIRD ANGLE PROJECTION	KREILLY	2015/06/12							
				A3	THIRD ANGLE PROJECTION	FDUGGAN	2015/09/14	PRODUCT CUSTOMER DRAWING						
		A3	THIRD ANGLE PROJECTION	JDWALLACE	2015/09/15	SERIES	MATERIAL NUMBER	CUSTOMER						
		A3	THIRD ANGLE PROJECTION			93443	SEE CHART	GENERAL MARKET						
		A3	THIRD ANGLE PROJECTION			DOCUMENT NUMBER		DOC TYPE	DOC PART	SHEET NUMBER				
		A3	THIRD ANGLE PROJECTION			934430010		PSD	000	8 OF 9				

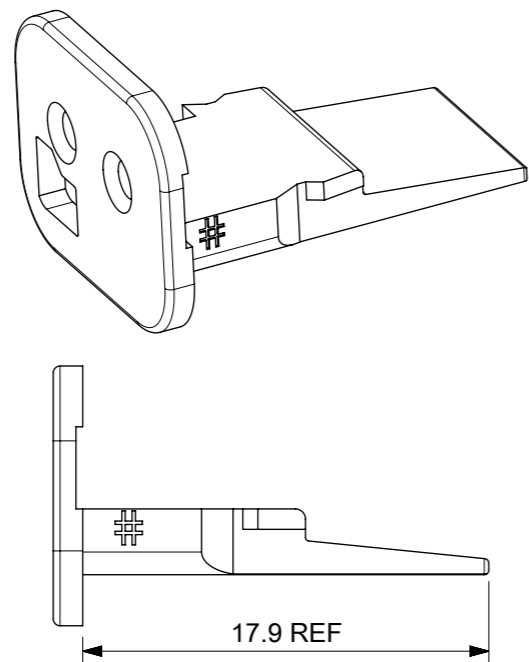
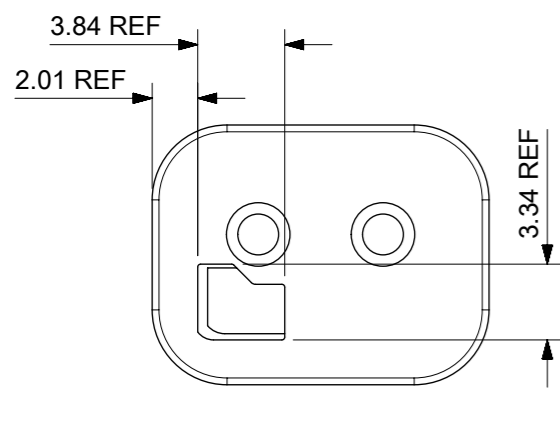
934481012 (KEY A)
COLOUR GREY



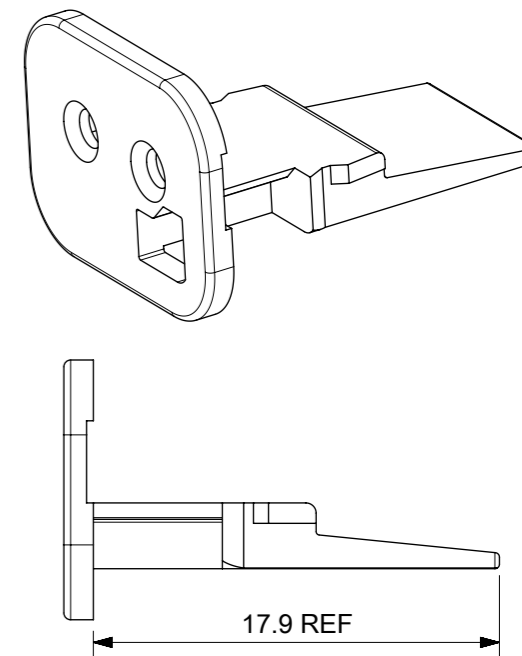
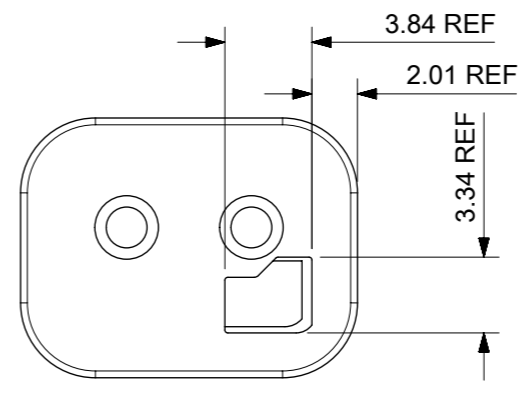
934481021 (KEY B)
COLOUR BLACK



934481033 (KEY C)
COLOUR GREEN



934481047 (KEY D)
COLOUR BROWN



NOTES:
1. MATERIAL PA66 30%GF
2. SEE SHEET 8 FOR UNSPECIFIED NOTES & DIMENSIONS

THIS DRAWING CONTAINS INFORMATION THAT IS PROPRIETARY TO MOLEX INCORPORATED AND SHOULD NOT BE USED WITHOUT WRITTEN PERMISSION

SUPERSEDING SD-93443-0010 EC NO: 110489 DRWN: JFLETCHER CHK'D: FDUGGAN APPR: JDWALLACE	2016/11/16	2016/12/16	2017/01/03	QUALITY SYMBOLS ∇ = 0 ∇ = 0 ∇ = 0 ▼ = 0 ∇ = 0 ☒ = 0 ■ = 0 ∇ = 0	GENERAL TOLERANCES (UNLESS SPECIFIED) ANGULAR TOL ± 2.0 ° 4 PLACES ± 3 PLACES ± 2 PLACES ± 0.1 1 PLACE ± 0.2 0 PLACES ±	DIMENSION UNITS MM	SCALE 3:1			
	DRWN BY	DATE	KREILLY 2015/06/12	2CCT ML-XT CV CONNECTOR						
	CHK'D BY	DATE	FDUGGAN 2015/09/14				PRODUCT CUSTOMER DRAWING			
	APPR BY	DATE	JDWALLACE 2015/09/15	SERIES	MATERIAL NUMBER	CUSTOMER				
A3 REV	DRAFT WHERE APPLICABLE MUST REMAIN WITHIN DIMENSIONS		DRAWING SIZE A3	THIRD ANGLE PROJECTION 	93443 934430010	GENERAL MARKET	DOCUMENT NUMBER 934430010	DOC TYPE PSD	DOC PART 000	SHEET NUMBER 9 OF 9