



Chipsmall Limited consists of a professional team with an average of over 10 year of expertise in the distribution of electronic components. Based in Hongkong, we have already established firm and mutual-benefit business relationships with customers from,Europe,America and south Asia,supplying obsolete and hard-to-find components to meet their specific needs.

With the principle of “Quality Parts,Customers Priority,Honest Operation,and Considerate Service”,our business mainly focus on the distribution of electronic components. Line cards we deal with include Microchip,ALPS,ROHM,Xilinx,Pulse,ON,Everlight and Freescale. Main products comprise IC,Modules,Potentiometer,IC Socket,Relay,Connector.Our parts cover such applications as commercial,industrial, and automotives areas.

We are looking forward to setting up business relationship with you and hope to provide you with the best service and solution. Let us make a better world for our industry!



## Contact us

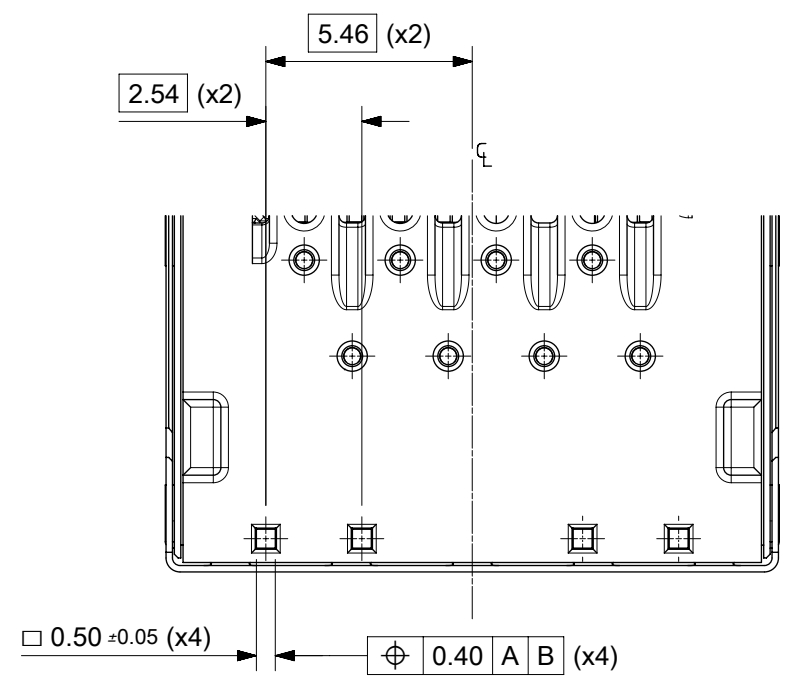
Tel: +86-755-8981 8866 Fax: +86-755-8427 6832

Email & Skype: info@chipsmall.com Web: www.chipsmall.com

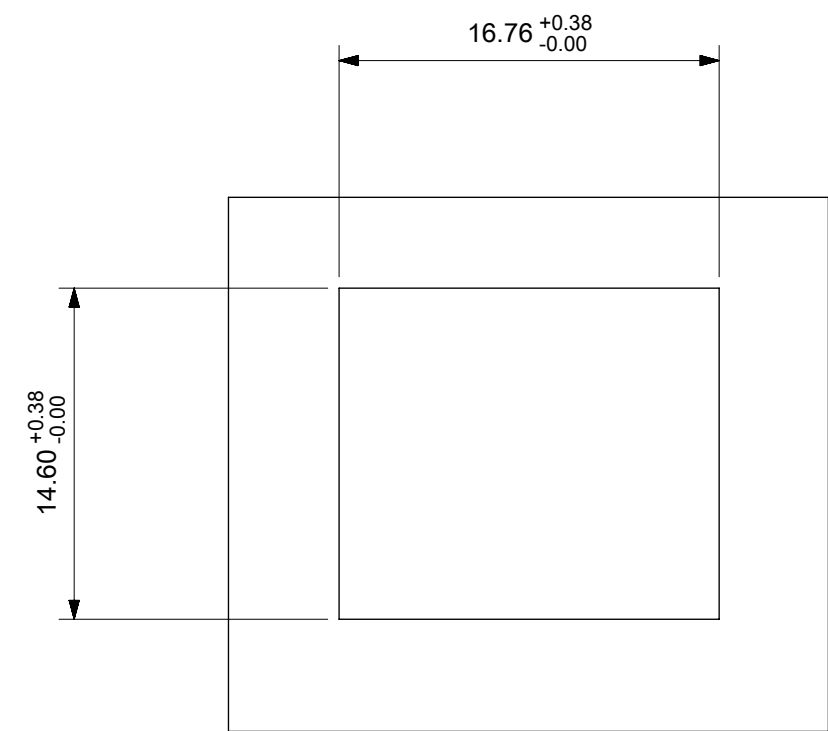
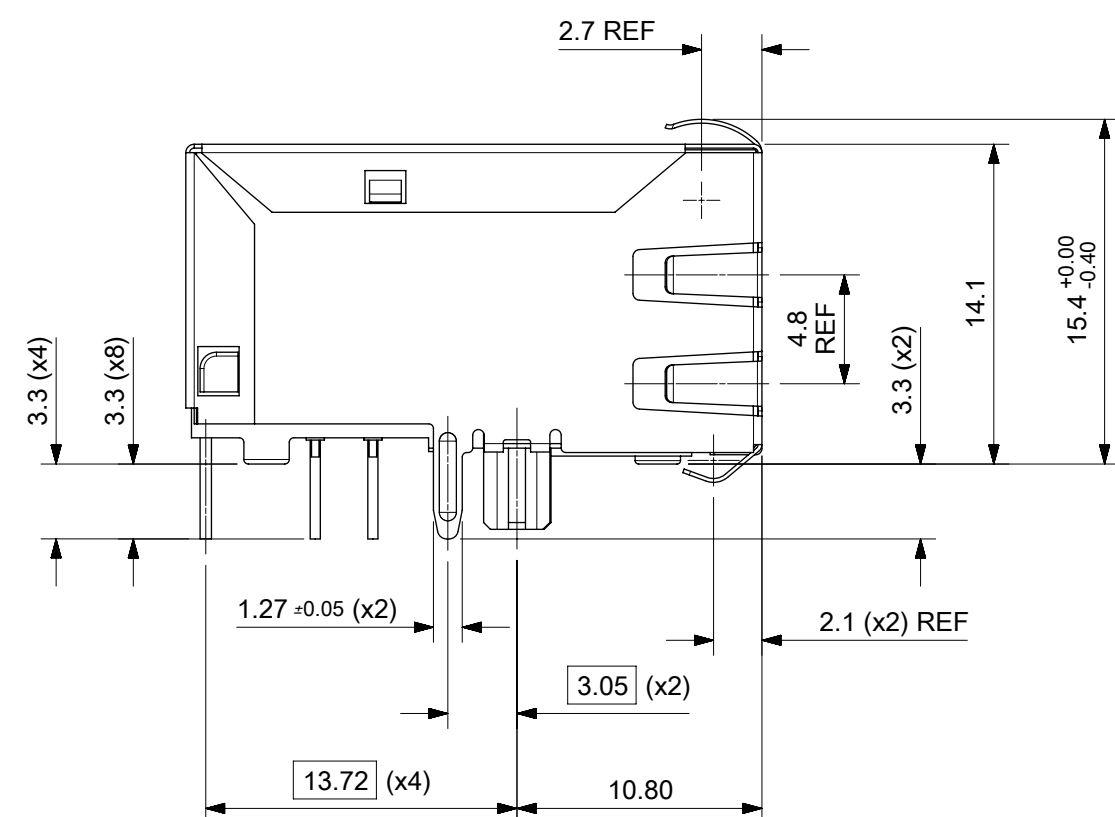
Address: A1208, Overseas Decoration Building, #122 Zhenhua RD., Futian, Shenzhen, China



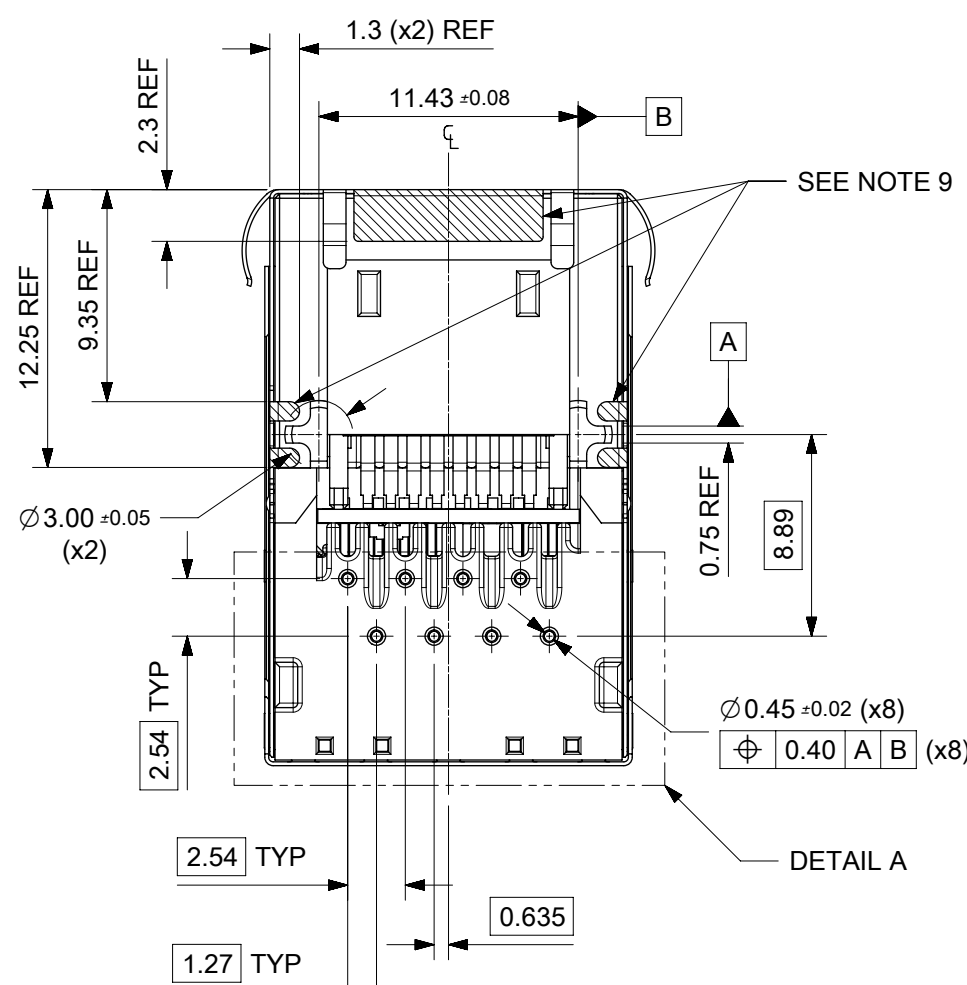
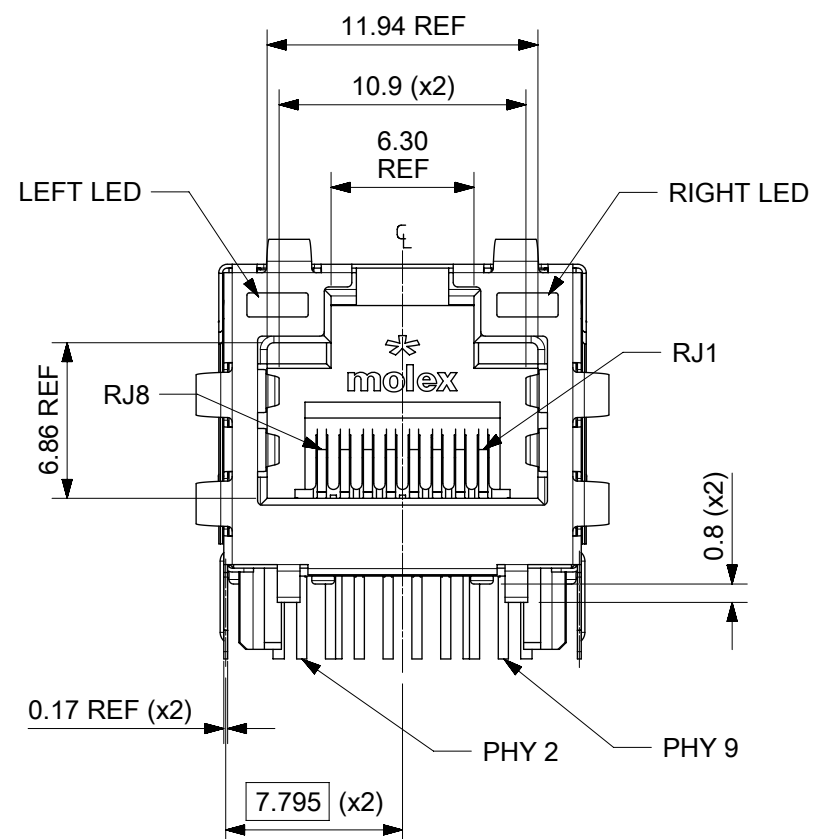
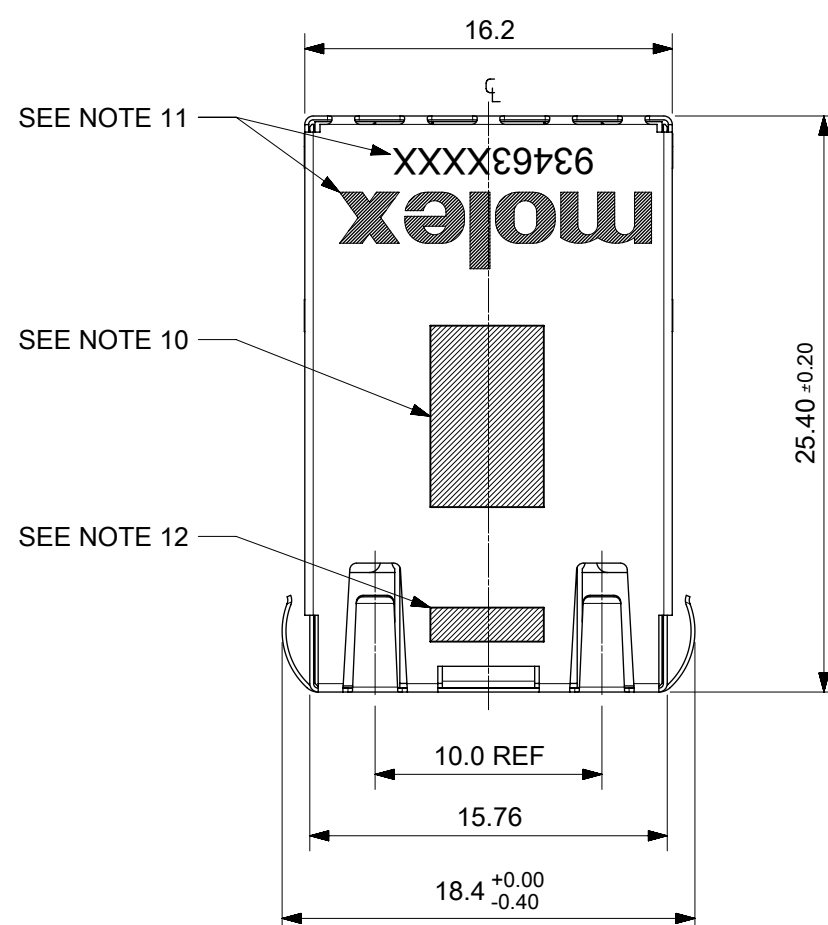
INVERTED PROFILE MAGNETIC JACK  
FAST ETHERNET W/LED  
AND W/SHIELD TABS TOP, SIDE AND BOTTOM



DETAIL A  
SCALE 5:1

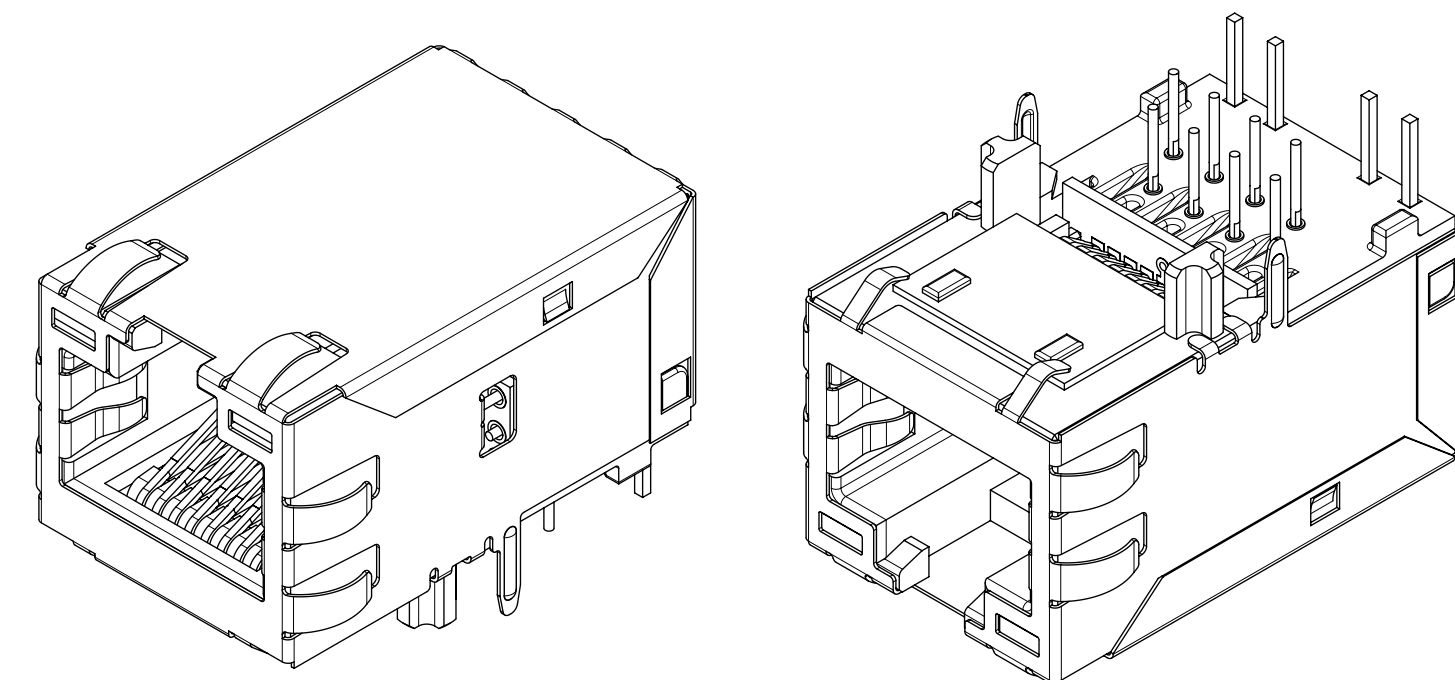


SUGGESTED PANEL CUT-OUT

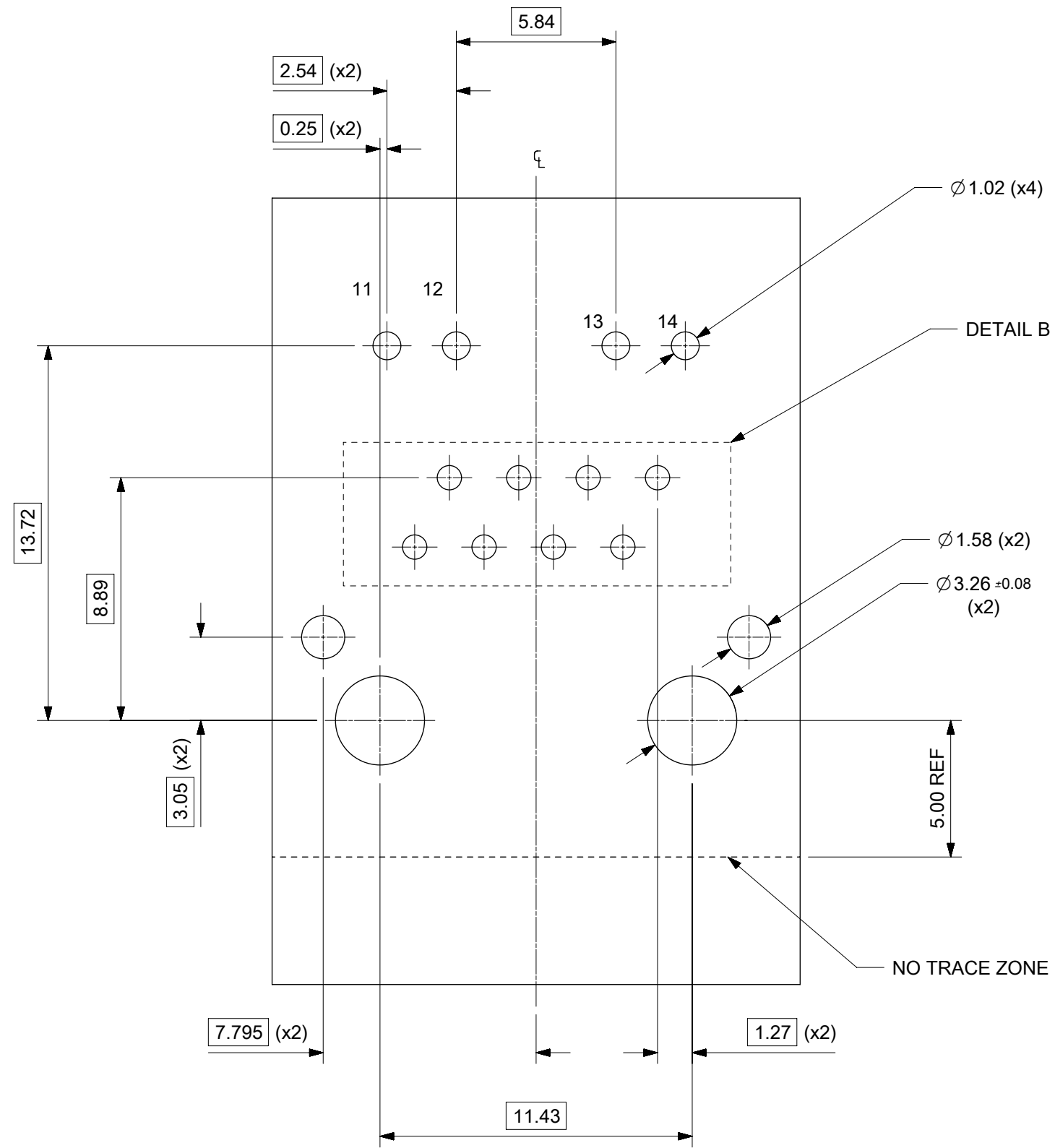


NOTES:

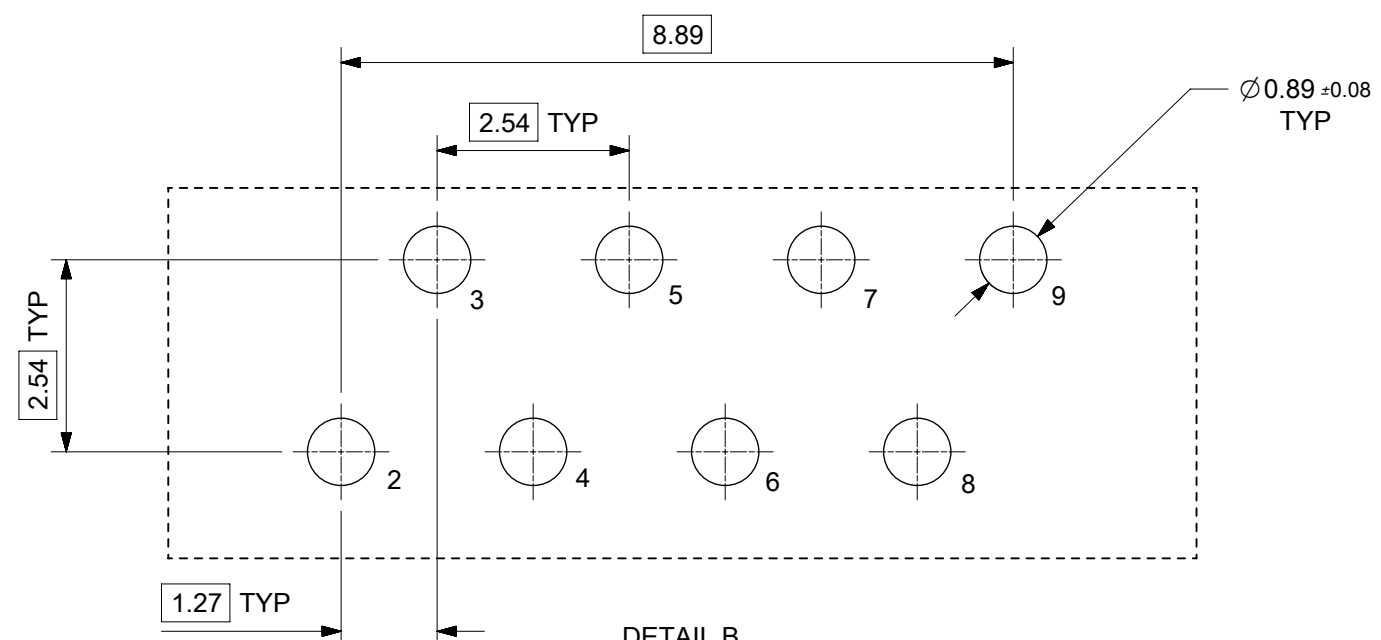
- 1 - SHIELD MATERIAL: 0.17 mm THICK BRASS PRE-PLATED WITH NICKEL.  
SOLDER TABS POST DIPPED WITH MIN. 1.27 μm TIN
- 2 - HOUSING MATERIAL: LCP, BLACK, UL 94V-0
- 3 - TERMINALS MATERIAL: PHOSPHOR BRONZE  
RJ45 CONTACT PLATING: BASE NICKEL, GOLD FLASH OVER PALLADIUM NICKEL  
PHY SOLDER TAILS: COPPER ALLOY REFER TO 934620001 PSP
- 4 - MATING INTERFACE ACCORDING TO IEC 60603-7 & TIA-1096-A
- 5 - PRODUCT SPECIFICATION: 934620001 PSP
- 6 - PACKAGING SPECIFICATION: 934620001 PSK TRAY
- 7 - STAND OFF TO SYSTEM BOARD 0.30 mm MIN
- 8 - RECOMMENDED PCB THICKNESS: 1.57 mm REF
- 9 - SHIELD: AVOID ROUTING TRACES OR PLACING ANY VIAS BELOW THESE AREAS.
- 10 - AREA FOR PICK AND PLACE: 5.0 mm x 8.0 mm
- 11 - INSCRIPTION MARKED BY LASER:  
1st : MOLEX  
2st : P/N (SEE BOM)
- 12 - INSCRIPTION MARKED BY LASER:  
DATE CODE(DAY/WEEK/YEAR)
- 13 - MATERIAL COMPLIANT TO RoHS DIRECTIVE 2002/95/EC



THIS DRAWING CONTAINS INFORMATION THAT IS PROPRIETARY TO MOLEX ELECTRONIC TECHNOLOGIES, LLC AND SHOULD NOT BE USED WITHOUT WRITTEN PERMISSION												
UPDATED SCHEMATIC EC NO: 167044 DRWN: KREILLY CHKD: DSHEA REV: APPR: DBYRNES	2017/10/23	2017/10/31	2017/11/22	GENERAL TOLERANCES (UNLESS SPECIFIED)	DIMENSION UNITS	SCALE	 1" MXMAG 4 CORE FE COM					
				mm	3:1							
				ANGULAR TOL ± 2.0 °	DRWN BY	DATE						
				4 PLACES ±	KREILLY	2015/09/08						
				3 PLACES ±	CHK'D BY	DATE						
			2 PLACES ± 0.1	DBYRNES	2016/09/19							
			1 PLACE ± 0.2	APPR BY	DATE							
			0 PLACES ±	JALEXANDER	2016/01/07							
DRAFT WHERE APPLICABLE MUST REMAIN WITHIN DIMENSIONS				DRAWING SIZE	THIRD ANGLE PROJECTION	PRODUCT CUSTOMER DRAWING						
				A2		SERIES	MATERIAL NUMBER	CUSTOMER				
						93463	SEE TABLE ON SHEET 2	GENERAL MARKET				
						DOCUMENT NUMBER	DOC TYPE	DOC PART	SHEET NUMBER			
						934630001	PSD	000	1 OF 3			



SUGGESTED BOARD LAYOUT  
FAST ETHERNET  
VIEW FROM COMPONENT SIDE  
ALL DIMS ARE REFERENCE



DETAIL B  
SCALE 10:1

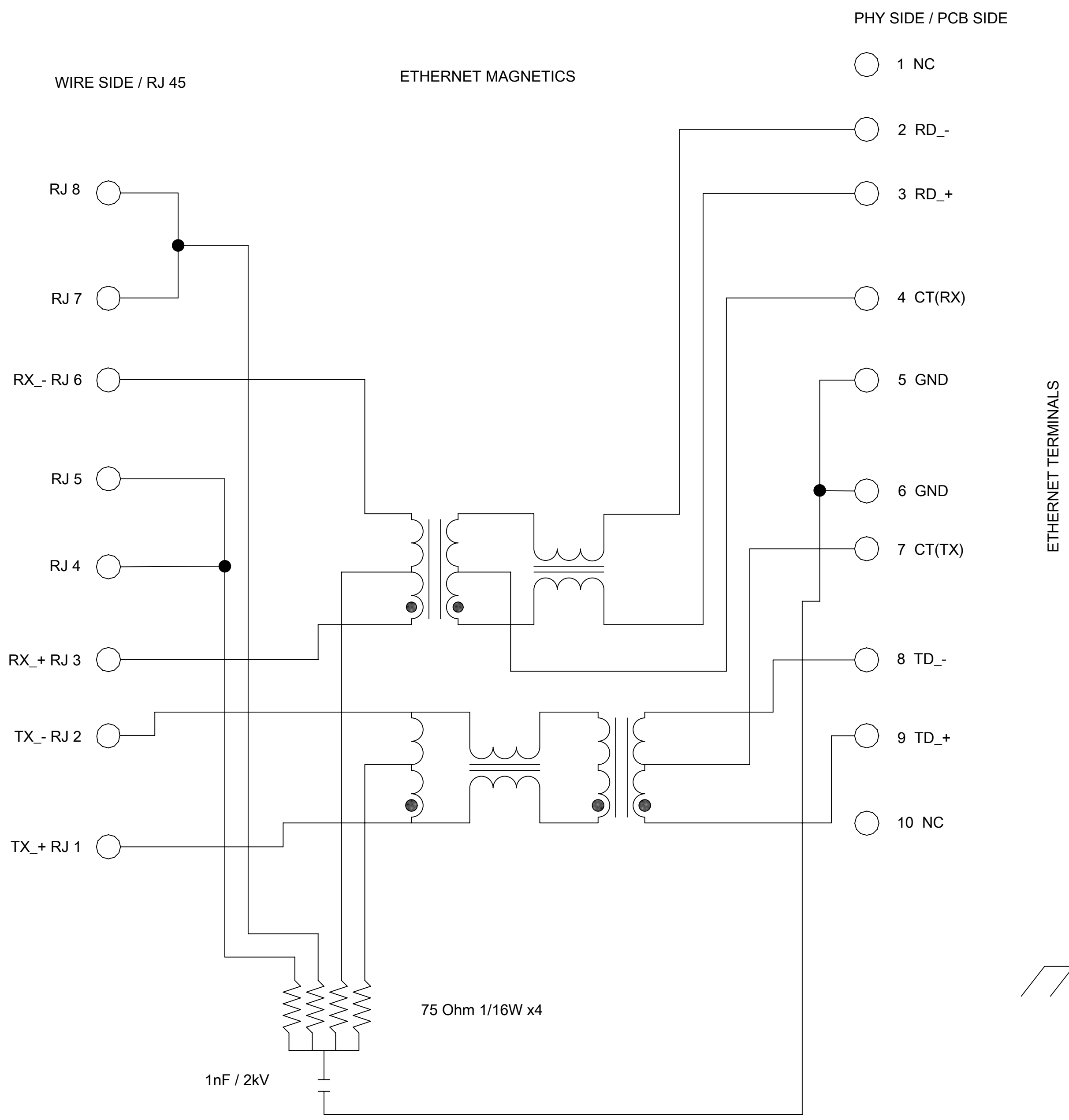
PIN CONFIGURATION  
FOR FAST ETHERNET

PART NUMBER	LEFT LED	RIGHT LED
934633214	YELLOW	GREEN

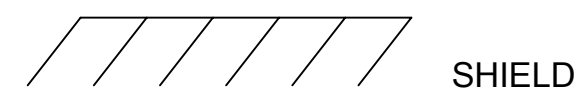
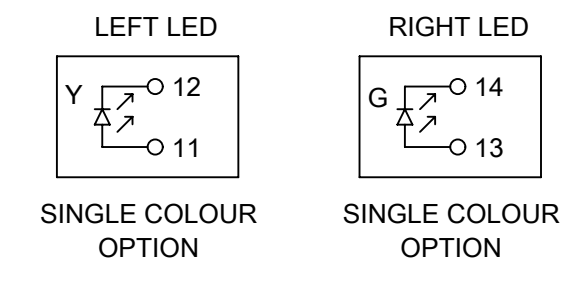
THIS DRAWING CONTAINS INFORMATION THAT IS PROPRIETARY TO MOLEX ELECTRONIC TECHNOLOGIES, LLC AND SHOULD NOT BE USED WITHOUT WRITTEN PERMISSION

UPDATED SCHEMATIC EC NO: 167044 DRWN: KREILLY CHKD: DSHEA REV / APPR: DBYRNES	2017/10/23	GENERAL TOLERANCES (UNLESS SPECIFIED)	DIMENSION UNITS	SCALE	
	2017/10/31	(UNLESS SPECIFIED)	mm	5:1	
	2017/11/22	ANGULAR TOL ± 2.0 °	DRWN BY	DATE	
		4 PLACES ±	KREILLY	2015/09/08	
		3 PLACES ±	CHK'D BY	DATE	
	2 PLACES ± 0.1	DBYRNES	2016/09/19		
	1 PLACE ± 0.2	APPR BY	DATE		
	0 PLACES ±	JALEXANDER	2016/01/07		
	DRAFT WHERE APPLICABLE MUST REMAIN WITHIN DIMENSIONS	DRAWING SIZE	THIRD ANGLE PROJECTION		
		A2			
		SERIES	MATERIAL NUMBER	CUSTOMER	
		93463	SEE TABLE ON SHEET 2	GENERAL MARKET	
		DOCUMENT NUMBER	DOC TYPE	DOC PART	SHEET NUMBER
		934630001	PSD	000	2 OF 3

H  
G  
F  
E  
D  
C  
B  
A



Description	Value	
OCL @100 kHz, 0.1 V, 8 mA DC bias 0°C to +70°C)	350 μH min.	
Turns ratio	1CT:1CT	
Transmission characteristics @ 25°C, all four pairs		
Insertion Loss		
Frequency f, (MHz)	Limits (dB max.)	Typical Values (dB max.)
1.0-9.9	0.4+0.1*log (f)	0.5 @ 10 MHz
10-49.9	0.5+0.3*log (f/10)	0.7 @ 50 MHz
50-79.9	1+1.4*log (f/80)	1.0 @ 80 MHz
80-100	1.3+3*log (f/100)	1.3 @ 100 MHz
Return Loss		
Frequency f, (MHz)	Limits (dB min.)	Typical Values (dB min.)
1.0-39.9	18	18 @ 40 MHz
40-100	12-20*log (f/80)	10 @ 100 MHz
CMR		
Frequency f, (MHz)	Limits (dB min.)	Typical Values (dB min.)
1.0-100	30	30 @ 100 MHz
NEXT		
Frequency f, (MHz)	Limits (dB min.)	Typical Values (dB min.)
1.0-39.9	35	35 @ 40 MHz
40-100	33-20*log (f/50)	27 @ 100 MHz
Isolation PHY to wire side	2.25 kV DC/60 s	



THIS DRAWING CONTAINS INFORMATION THAT IS PROPRIETARY TO MOLEX ELECTRONIC TECHNOLOGIES, LLC AND SHOULD NOT BE USED WITHOUT WRITTEN PERMISSION

UPDATED SCHEMATIC EC NO: 167044 DRWN: KREILLY CHKD: DSHEA REV / APPR: DBYRNES	2017/10/23	2017/10/31	2017/11/22	GENERAL TOLERANCES (UNLESS SPECIFIED)	DIMENSION UNITS	SCALE	
	4 PLACES	±		mm	1:1		
	3 PLACES	±		ANGULAR TOL ± 2.0 °	DRWN BY	DATE	
	2 PLACES	±	0.1	KREILLY	2015/09/08		
1 PLACE	±	0.2	DBYRNES	2016/09/19	CHK'D BY	DATE	
0 PLACES	±		JALEXANDER	2016/01/07	APPR BY	DATE	
DRAFT WHERE APPLICABLE MUST REMAIN WITHIN DIMENSIONS				DRAWING SIZE	THIRD ANGLE PROJECTION	PRODUCT CUSTOMER DRAWING SERIES: 93463 MATERIAL NUMBER: SEE TABLE ON SHEET 2 CUSTOMER: GENERAL MARKET	
C				A2	DOCUMENT NUMBER: 934630001 DOC TYPE: PSD DOC PART: 000 SHEET NUMBER: 3 OF 3		