



Chipsmall Limited consists of a professional team with an average of over 10 year of expertise in the distribution of electronic components. Based in Hongkong, we have already established firm and mutual-benefit business relationships with customers from,Europe,America and south Asia,supplying obsolete and hard-to-find components to meet their specific needs.

With the principle of “Quality Parts,Customers Priority,Honest Operation,and Considerate Service”,our business mainly focus on the distribution of electronic components. Line cards we deal with include Microchip,ALPS,ROHM,Xilinx,Pulse,ON,Everlight and Freescale. Main products comprise IC,Modules,Potentiometer,IC Socket,Relay,Connector.Our parts cover such applications as commercial,industrial, and automotives areas.

We are looking forward to setting up business relationship with you and hope to provide you with the best service and solution. Let us make a better world for our industry!



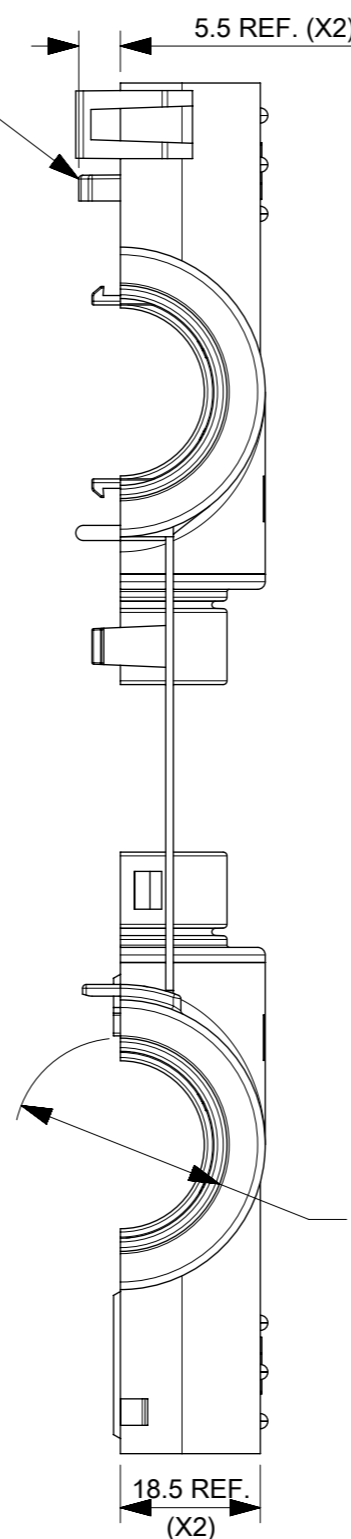
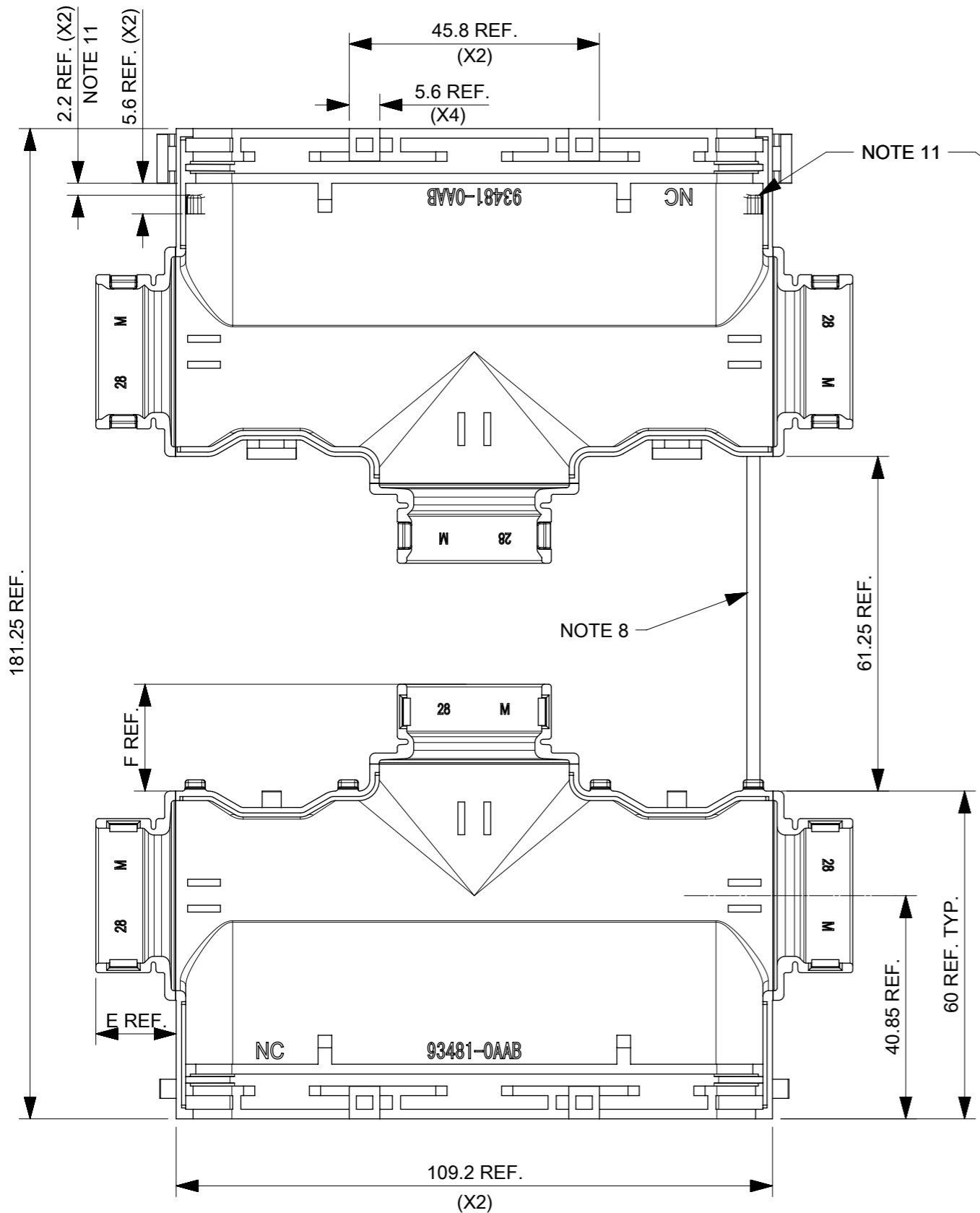
Contact us

Tel: +86-755-8981 8866 Fax: +86-755-8427 6832

Email & Skype: info@chipsmall.com Web: www.chipsmall.com

Address: A1208, Overseas Decoration Building, #122 Zhenhua RD., Futian, Shenzhen, China





- NOTES:
- THIS SHEET SHOWS THE CONDUIT WITH A FEMALE CONNECTOR INTERFACE AND ALL PORTS NC28 MALE.
 - MATERIAL: POLYAMIDE 66 (PA66), 0% GLASS FILL, COLOUR BLACK.
 - CONNECTOR INTERFACE;
93481-0AAB - FEMALE
93481-5AAB - MALE
 - MATES WITH NC AND NW FORMAT CONDUIT, FEMALE INTERFACE MATES WITH FEMALE CONNECTOR SERIES; SEE TABLE 2, SHEET 3.
 - FOR DIMENSIONS SPECIFIED E, F AND H, PLEASE REFER TO TABLE 1, SHEET 1.
 - APPLICATION SPECIFICATION: 850830010 PSA.
 - FLEXIBLE MOULDED LANYARD BETWEEN PART HALVES, MAY BE REMOVED.
 - CONDUIT INTERFACE SHOULD ONLY BE USED WITH APPROPRIATE CONDUIT. MOLEX CANNOT BE HELD RESPONSIBLE IF CABLES ARE DAMAGED DUE TO IMPROPER USE OF CONDUIT INTERFACE, OR IF A CONDUIT INTERFACE IS USED WITHOUT THE CONDUIT.
 - CONDUIT INTERFACE IS IP3X WHEN USED WITH A FULLY ASSEMBLED SRC CONNECTOR AND APPROPRIATE CONDUIT.
 - POST FEATURES FOR REINFORCEMENT AFTER CONNECTOR MOUNTING. AVOID INADVERTENTLY POSITIONING FEMALE CONNECTORS BETWEEN POSTS AND MOULDED WALL.
 - PACKAGING SPECIFICATION: 934811000 PSK.

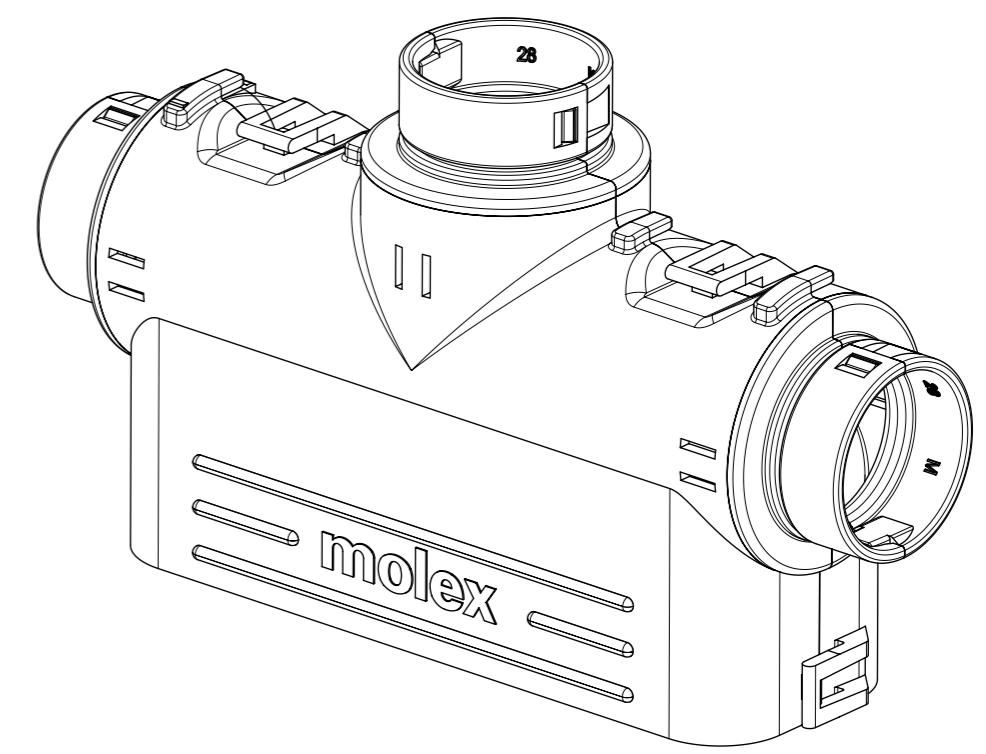
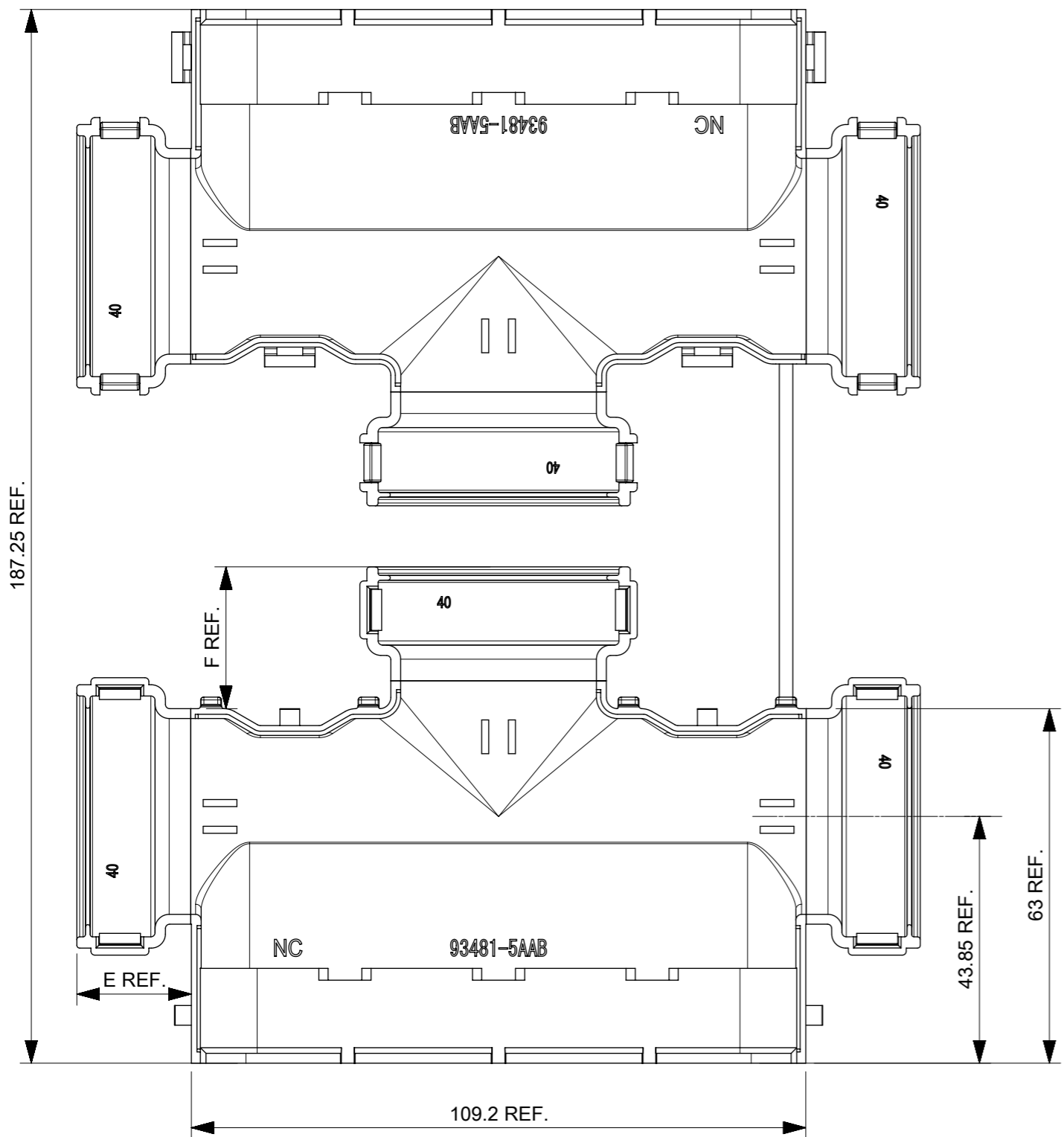


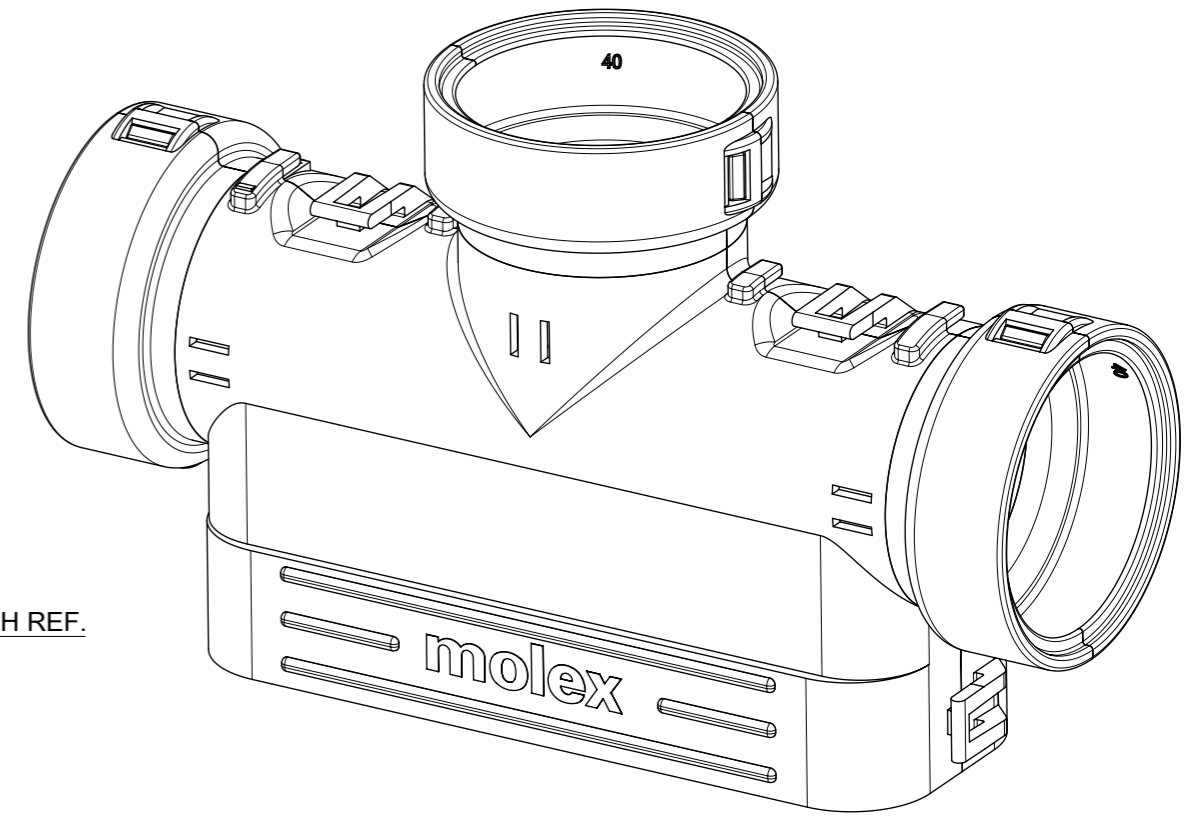
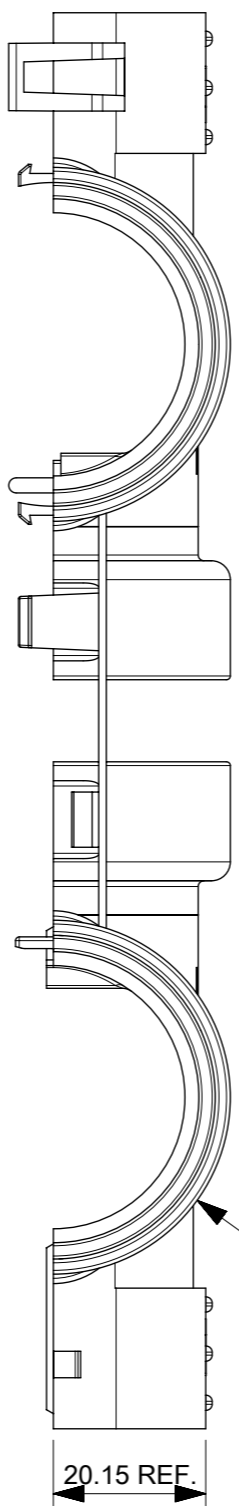
TABLE 1
ALL DIMENSIONS GIVEN IN MILLIMETRES

	NC28 MALE	NC28 FEMALE	NC32 FEMALE	NC40 FEMALE
E	14.7	14.6	14.6	20.35
F	19.5	19.45	19.45	25.2
H	28.2	32.1	38.3	46.8

QUALITY SYMBOLS ▽ = 0 ▽ = 0 ▽ = 0 ▽ = 0 ▽ = 0 ▽ = 0 ▽ = 0 ▽ = 0 ▽ = 0 ▽ = 0 ▽ = 0		MINOR UPDATES EC NO: 170414 DRWN: SOBRIEN01 CHK'D: JDWALLACE APPR: JDWALLACE 2017/12/05 2018/02/05 2018/02/05		GENERAL TOLERANCES (UNLESS SPECIFIED) ANGULAR TOL ± 2.0 ° 4 PLACES ± 3 PLACES ± 2 PLACES ± 1 PLACE ± 0 PLACES ± DRAFT WHERE APPLICABLE MUST REMAIN WITHIN DIMENSIONS		DIMENSION UNITS: mm SCALE: 1:1 DRWN BY: AJOBRIEN DATE: 2015/04/23 CHK'D BY: SMCGREEVY DATE: 2015/06/04 APPR BY: JALEXANDER DATE: 2015/06/08 DRAWING SIZE: A3 THIRD ANGLE PROJECTION		THIS DRAWING CONTAINS INFORMATION THAT IS PROPRIETARY TO MOLEX ELECTRONIC TECHNOLOGIES, LLC AND SHOULD NOT BE USED WITHOUT WRITTEN PERMISSION			
molex						SRC CONDUIT COVER					
PRODUCT CUSTOMER DRAWING						SERIES: 93481 MATERIAL NUMBER: SEE SHEET 3 CUSTOMER: GENERAL MARKET		DOCUMENT NUMBER: 934811000 DOC TYPE: PSD DOC PART: 000 SHEET NUMBER: 1 OF 3			



- NOTES:
1. MALE CONNECTOR INTERFACE AND ALL PORTS NC40 FEMALE SHOWN ON THIS SHEET.
 2. MALE INTERFACE MATES WITH MALE CONNECTOR SERIES: SEE TABLE 2, SHEET 3.
 3. FOR DIMENSIONS E, F AND H, REFER TO TABLE 1, SHEET 1.



LANYARD NOT SHOWN IN MATED VIEW

THIS DRAWING CONTAINS INFORMATION THAT IS PROPRIETARY TO MOLEX ELECTRONIC TECHNOLOGIES, LLC AND SHOULD NOT BE USED WITHOUT WRITTEN PERMISSION									
QUALITY SYMBOLS ▽A = 0 ▽E = 0 ▽F = 0 ▽B = 0 ▽C = 0 ▽D = 0 ▽G = 0 ▽H = 0 ▽I = 0 ▽J = 0	MINOR UPDATES EC NO: 170414 DRWN: SOBRIEN01 CHK'D: JDWALLACE APPR: JDWALLACE	GENERAL TOLERANCES (UNLESS SPECIFIED) ANGULAR TOL ± 2.0 °		DIMENSION UNITS mm	SCALE 1:2				
		4 PLACES ±	DRWN BY AJOBRIEN	DATE 2015/04/23	SRC CONDUIT COVER				
		3 PLACES ±	CHK'D BY SMCGREEVY	DATE 2015/06/04			PRODUCT CUSTOMER DRAWING		
		2 PLACES ±	APPR BY JALEXANDER	DATE 2015/06/08	SERIES 93481	MATERIAL NUMBER SEE SHEET 3			CUSTOMER GENERAL MARKET
		1 PLACE ±	DRAWING SIZE A3	THIRD ANGLE PROJECTION 	DOCUMENT NUMBER 934811000	DOC TYPE PSD	DOC PART 000	SHEET NUMBER 2 OF 3	
		0 PLACES ±	DRAFT WHERE APPLICABLE MUST REMAIN WITHIN DIMENSIONS						

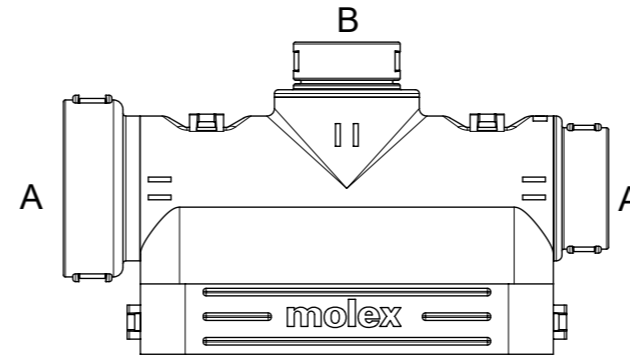
X	INTERFACE TYPE
5	MALE
0	FEMALE

SRC INTERFACE (X)
(SEE NOTES)

B
0
1
2
3
4

CENTRE OUTLET (B)

A OR B	OUTLET
0	BLANK
1	NC28 MALE
2	NC28 FEMALE
3	NC 32 FEMALE
4	NC40 FEMALE

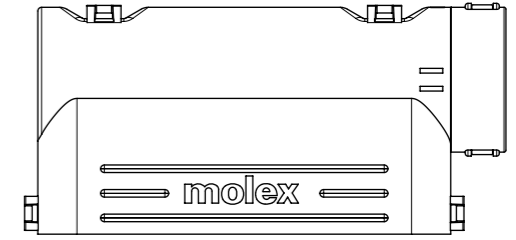


A	A
0	0
0	1
0	2
0	3
0	4
1	1
1	2
1	3
1	4
2	2
2	3
2	4
3	3
3	4
4	4

SIDE OUTLETS
(A-A)

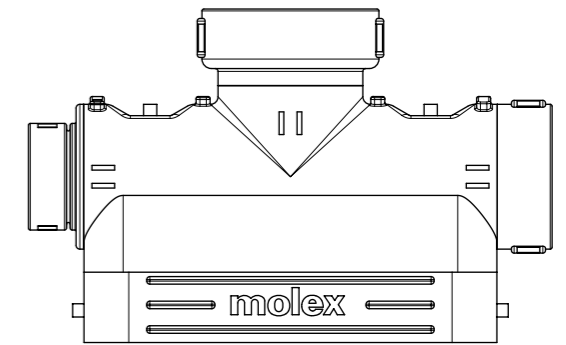
93481-XAAB

EXAMPLE 1



93481-0030
SRC INTERFACE: FEMALE = 0
SIDE EXIT: BLANK AND NC32 FEMALE = 03
CENTRE EXIT: BLANK = 0

EXAMPLE 2



93481-5134
SRC INTERFACE: MALE = 5
SIDE EXIT: NC28 MALE AND NC32 FEMALE = 13
CENTRE EXIT: NC40 = 4

- NOTES:
- ALL OTHER NOTES AND DIMENSIONS SEE SHEET 1 & 2.
 - TABLE 2 SPECIFIES THE SRC FAMILIES THAT ARE COMPATIBLE WITH EACH OPTION OF MALE OR FEMALE INTERFACES.
 - CONDUIT COVERS MAY BE ASSEMBLED IN EITHER DIRECTION, ROTATED 180° AROUND THE CENTRE OUTLET AXIS. FOR EXAMPLE, PART NUMBER 93481-0200 IS THE SAME AS PART NUMBER 93481-0020

TABLE 2

MALE	FEMALE
85071	85070
93288	93287
85083	85084
93792	

OUTLET SIZE FORMAT CONVERSION CHART

NC	NW
28	23
32	29
40	36

THIS DRAWING CONTAINS INFORMATION THAT IS PROPRIETARY TO MOLEX ELECTRONIC TECHNOLOGIES, LLC AND SHOULD NOT BE USED WITHOUT WRITTEN PERMISSION																		
QUALITY SYMBOLS	▽A = 0	MINOR UPDATES EC NO: 170414 DRWN: SOBRIEN01 CHK'D: JDWALLACE REV APPR: JDWALLACE	GENERAL TOLERANCES (UNLESS SPECIFIED)		DIMENSION UNITS	SCALE												
	▽E = 0		ANGULAR TOL ± 2.0 °		mm	2:1												
	▽F = 0		4 PLACES ±	DRWN BY	DATE	AJOBRIEN						2015/04/23						
	▽ = 0		3 PLACES ±	CHK'D BY	DATE	SMCGREEVY						2015/06/04						
	▽C = 0		2 PLACES ±	APPR BY	DATE	JALEXANDER						2015/06/08						
	▽X = 0		1 PLACE ±	DRAWING SIZE	THIRD ANGLE PROJECTION	A3												
	▽ = 0		0 PLACES ±	DRAFT WHERE APPLICABLE MUST REMAIN WITHIN DIMENSIONS														
	▽ = 0																	
	PRODUCT CUSTOMER DRAWING											SERIES: 93481 MATERIAL NUMBER: SEE SHEET 3 CUSTOMER: GENERAL MARKET						
	DOCUMENT NUMBER: 934811000											DOC TYPE: PSD DOC PART: 000 SHEET NUMBER: 3 OF 3						