



Chipsmall Limited consists of a professional team with an average of over 10 year of expertise in the distribution of electronic components. Based in Hongkong, we have already established firm and mutual-benefit business relationships with customers from,Europe,America and south Asia,supplying obsolete and hard-to-find components to meet their specific needs.

With the principle of “Quality Parts,Customers Priority,Honest Operation,and Considerate Service”,our business mainly focus on the distribution of electronic components. Line cards we deal with include Microchip,ALPS,ROHM,Xilinx,Pulse,ON,Everlight and Freescale. Main products comprise IC,Modules,Potentiometer,IC Socket,Relay,Connector.Our parts cover such applications as commercial,industrial, and automotives areas.

We are looking forward to setting up business relationship with you and hope to provide you with the best service and solution. Let us make a better world for our industry!



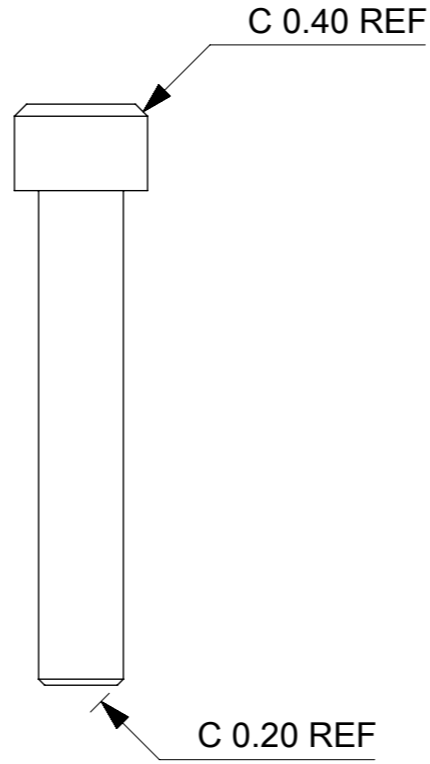
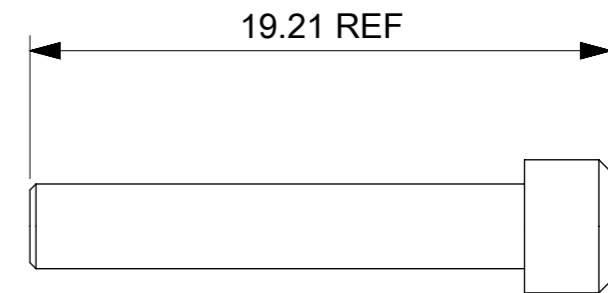
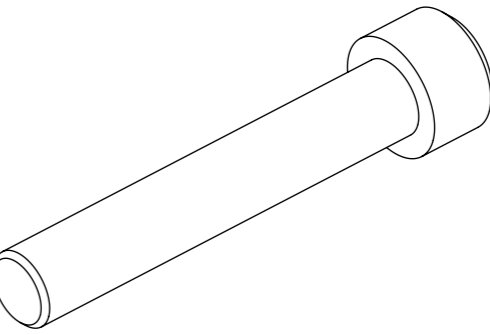
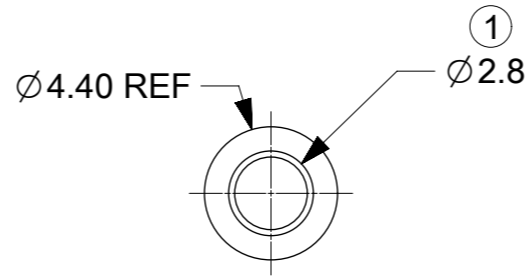
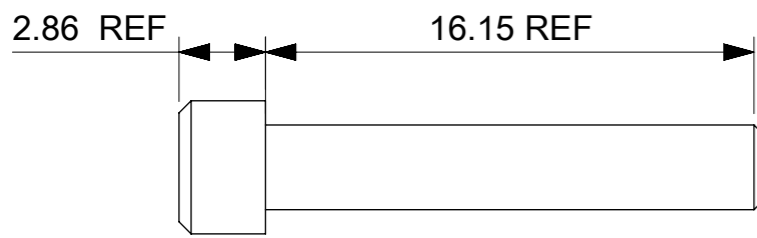
Contact us

Tel: +86-755-8981 8866 Fax: +86-755-8427 6832

Email & Skype: info@chipsmall.com Web: www.chipsmall.com

Address: A1208, Overseas Decoration Building, #122 Zhenhua RD., Futian, Shenzhen, China





NOTES:
 1. MATERIAL: GLASS FILLED NYLON; COLOUR = BLACK
 LAST INSPECTION NUMBER 1

THIS DRAWING CONTAINS INFORMATION THAT IS PROPRIETARY TO MOLEX ELECTRONIC TECHNOLOGIES, LLC AND SHOULD NOT BE USED WITHOUT WRITTEN PERMISSION											
QUALITY SYMBOLS		CORRECTED TYPO		GENERAL TOLERANCES (UNLESS SPECIFIED)		DIMENSION UNITS		SCALE			
▽A	= 0	2016/03/03	2016/03/03	ANGULAR TOL ± 2.0 °		MM		4:1			
▽E	= 0	EC NO: 103305 DRWN: JFLETCHER CHK'D: NDOWDS APPR: JDWALLACE	2016/03/03 2016/03/09	4 PLACES ±		DRWN BY		DATE		ML-XT BLIND CAVITY PLUG	
▽F	= 0			3 PLACES ±		JFLETCHER		2014/11/20			
▽B	= 0			2 PLACES ± 0.1		CHK'D BY		DATE			
▽	= 0			1 PLACE ± 0.2		FDUGGAN		2014/11/24		PRODUCT CUSTOMER DRAWING	
▽C	= 0			0 PLACES ±		APPR BY		DATE			
▽	= 0	DRAFT WHERE APPLICABLE MUST REMAIN WITHIN DIMENSIONS		DRAWING SIZE		THIRD ANGLE PROJECTION		SERIES		MATERIAL NUMBER	
▽	= 0	A1		A3				93494		934941000	
								CUSTOMER		GENERAL MARKET	
								DOCUMENT NUMBER		DOC TYPE	
								934941000		PSD	
								DOC PART		SHEET NUMBER	
								000		1 OF 1	