



Chipsmall Limited consists of a professional team with an average of over 10 year of expertise in the distribution of electronic components. Based in Hongkong, we have already established firm and mutual-benefit business relationships with customers from,Europe,America and south Asia,supplying obsolete and hard-to-find components to meet their specific needs.

With the principle of “Quality Parts,Customers Priority,Honest Operation,and Considerate Service”,our business mainly focus on the distribution of electronic components. Line cards we deal with include Microchip,ALPS,ROHM,Xilinx,Pulse,ON,Everlight and Freescale. Main products comprise IC,Modules,Potentiometer,IC Socket,Relay,Connector.Our parts cover such applications as commercial,industrial, and automotives areas.

We are looking forward to setting up business relationship with you and hope to provide you with the best service and solution. Let us make a better world for our industry!



## Contact us

Tel: +86-755-8981 8866 Fax: +86-755-8427 6832

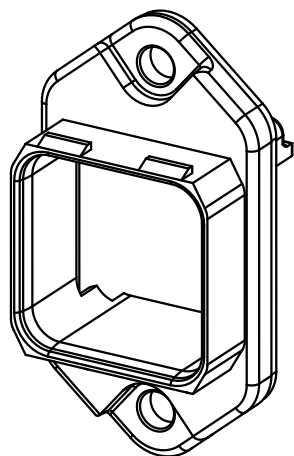
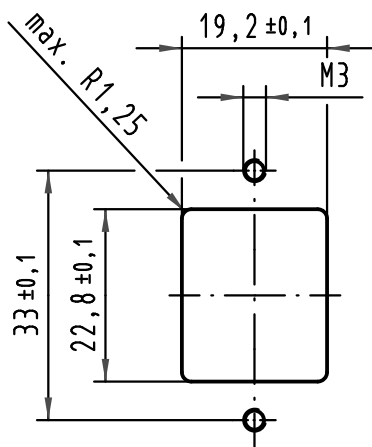
Email & Skype: info@chipsmall.com Web: www.chipsmall.com

Address: A1208, Overseas Decoration Building, #122 Zhenhua RD., Futian, Shenzhen, China

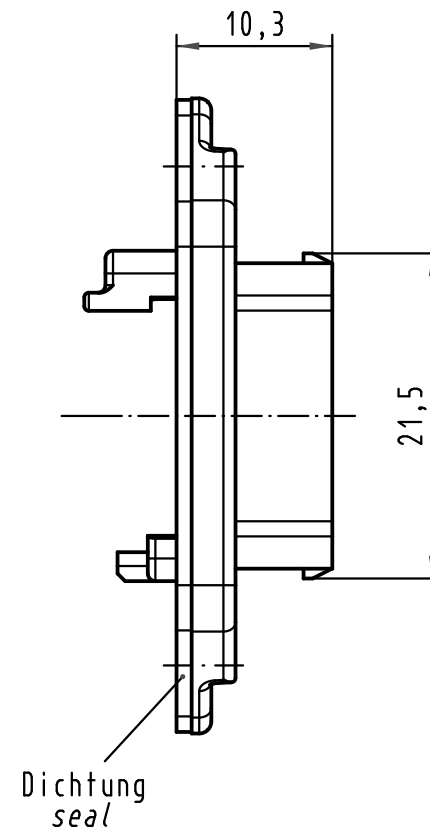
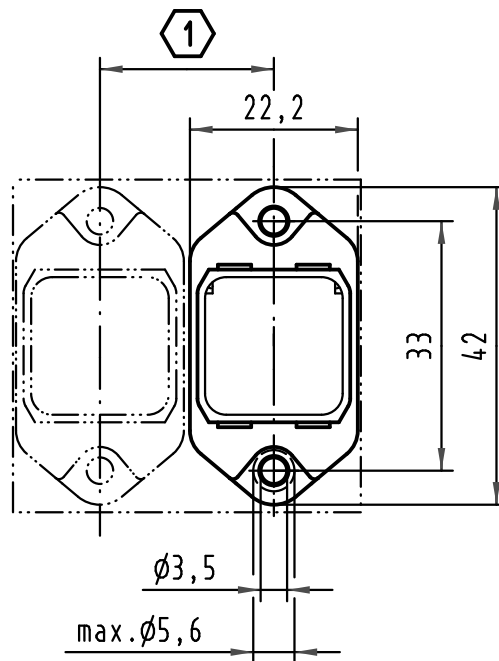


Montageausschnitt /  
panel cut out

1:1



1:1



- ① min. 23 für Han PushPull Gehäuse mit SW19
- min. 27 für Han PushPull Gehäuse mit SW24
- min. 23 using Han PushPull housings with SW19
- min. 27 using Han PushPull housings with SW24

ALL Dimensions in mm Original Size DIN A 4		Techn. Character.			Nicht tolerierte Maß/Free size tolerances	
			Dat.	Name	Maßstab/Scale 2:1 1:1	Han PushPull SCRJ/Power Anbaugeschäse Metall housing bulkhead mounting metal
		Detail.	15.01.08	Bor		
		Insp.		drie		
35946	09.12.09	hsv	Stand.			
413856	07.05.08	Rull	HARTING Electronics GmbH & Co. KG			TB 09 35 002 0303
413567			D-32339 ESPELKAMP			
Mod.	Dat.	Name				Blatt/ page
					Sub.	