



Chipsmall Limited consists of a professional team with an average of over 10 year of expertise in the distribution of electronic components. Based in Hongkong, we have already established firm and mutual-benefit business relationships with customers from,Europe,America and south Asia,supplying obsolete and hard-to-find components to meet their specific needs.

With the principle of "Quality Parts,Customers Priority,Honest Operation,and Considerate Service",our business mainly focus on the distribution of electronic components. Line cards we deal with include Microchip,ALPS,ROHM,Xilinx,Pulse,ON,Everlight and Freescale. Main products comprise IC,Modules,Potentiometer,IC Socket,Relay,Connector.Our parts cover such applications as commercial,industrial, and automotives areas.

We are looking forward to setting up business relationship with you and hope to provide you with the best service and solution. Let us make a better world for our industry!



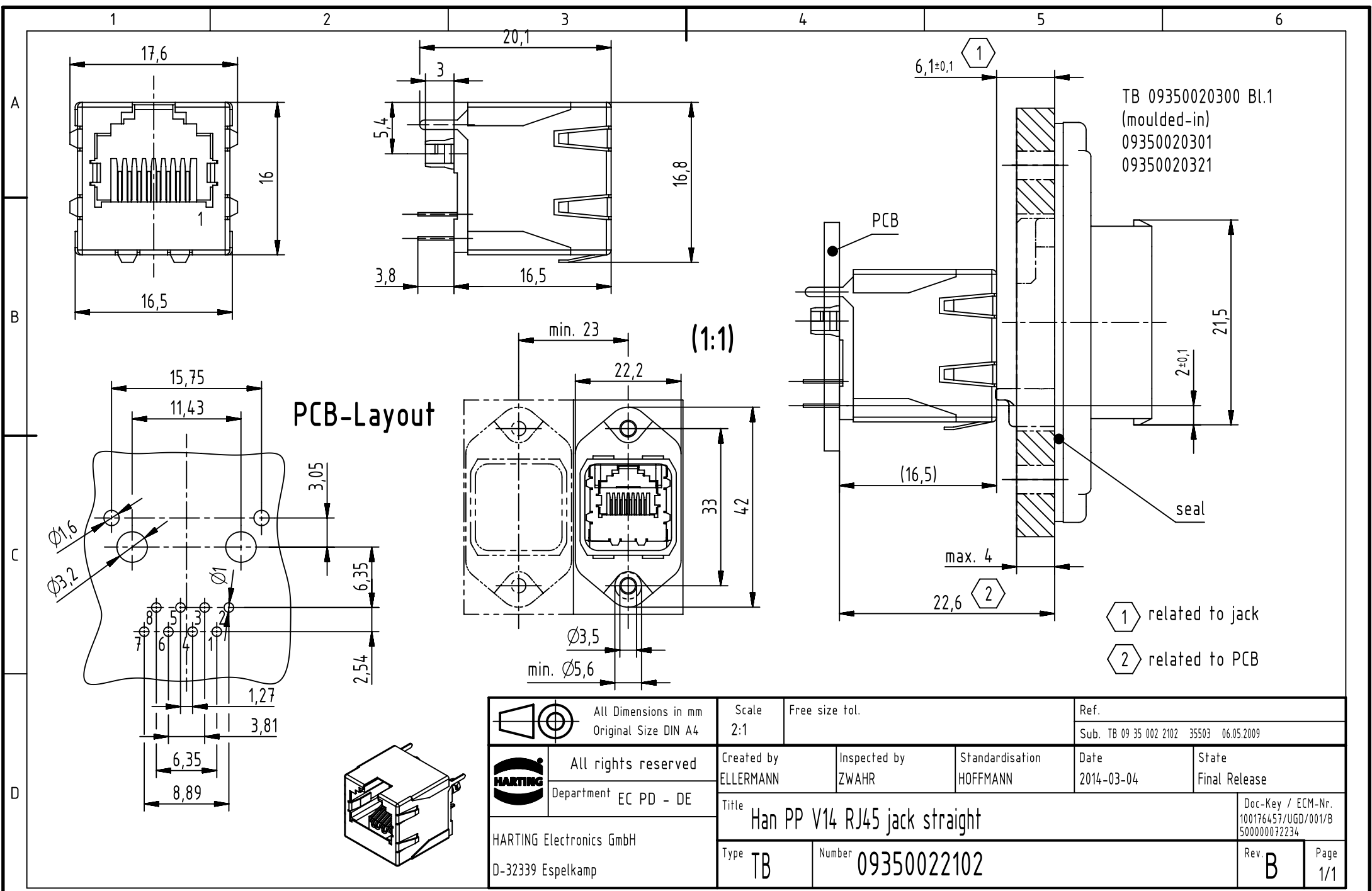
## Contact us

Tel: +86-755-8981 8866 Fax: +86-755-8427 6832

Email & Skype: info@chipsmall.com Web: www.chipsmall.com

Address: A1208, Overseas Decoration Building, #122 Zhenhua RD., Futian, Shenzhen, China





TB 09350020300 Bl.1  
(moulded-in)  
09350020301  
09350020321

1 related to jack  
2 related to PCB

	All Dimensions in mm Original Size DIN A4		Scale 2:1	Free size tol.		Ref. Sub. TB 09 35 002 2102 35503 06.05.2009	
			Created by ELLERMANN	Inspected by ZWAHR	Standardisation HOFFMANN	Date 2014-03-04	State Final Release
		All rights reserved Department EC PD - DE		Title Han PP V14 RJ45 jack straight			Doc-Key / ECM-Nr. 100176457/UGD/001/B 500000072234
HARTING Electronics GmbH D-32339 Espelkamp		Type TB	Number 09350022102		Rev. B	Page 1/1	

