



Chipsmall Limited consists of a professional team with an average of over 10 year of expertise in the distribution of electronic components. Based in Hongkong, we have already established firm and mutual-benefit business relationships with customers from,Europe,America and south Asia,supplying obsolete and hard-to-find components to meet their specific needs.

With the principle of “Quality Parts,Customers Priority,Honest Operation,and Considerate Service”,our business mainly focus on the distribution of electronic components. Line cards we deal with include Microchip,ALPS,ROHM,Xilinx,Pulse,ON,Everlight and Freescale. Main products comprise IC,Modules,Potentiometer,IC Socket,Relay,Connector.Our parts cover such applications as commercial,industrial, and automotives areas.

We are looking forward to setting up business relationship with you and hope to provide you with the best service and solution. Let us make a better world for our industry!



Contact us

Tel: +86-755-8981 8866 Fax: +86-755-8427 6832

Email & Skype: info@chipsmall.com Web: www.chipsmall.com

Address: A1208, Overseas Decoration Building, #122 Zhenhua RD., Futian, Shenzhen, China



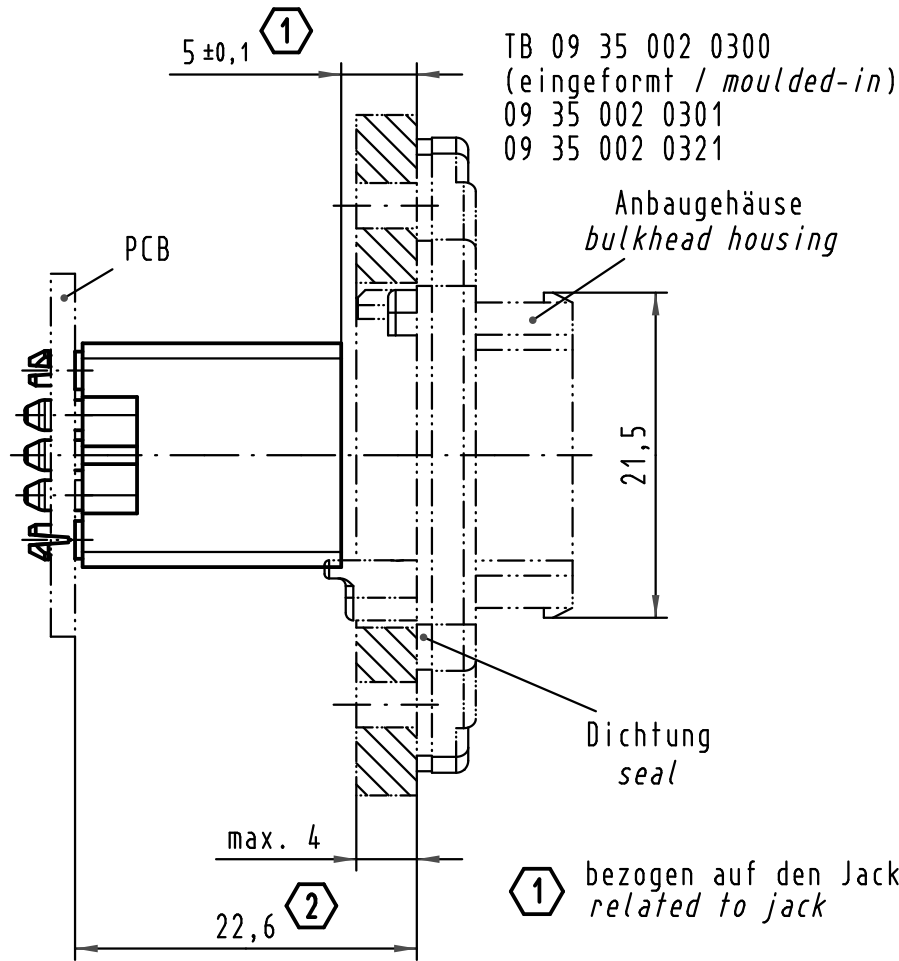
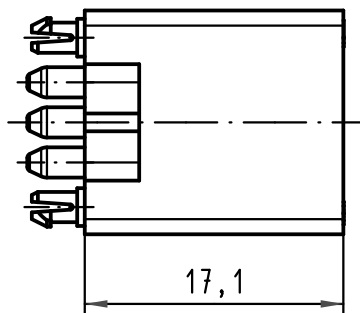
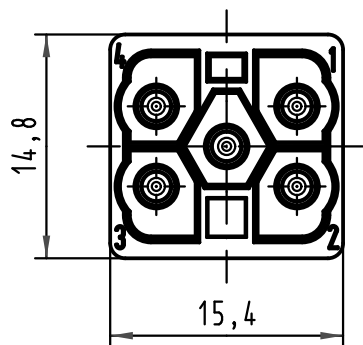
1 2 3 4 5 6

A

B

C

D



TB 09 35 002 0300
(eingeformt / moulded-in)
09 35 002 0301
09 35 002 0321

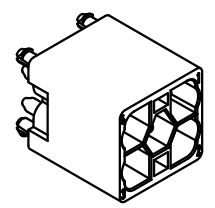
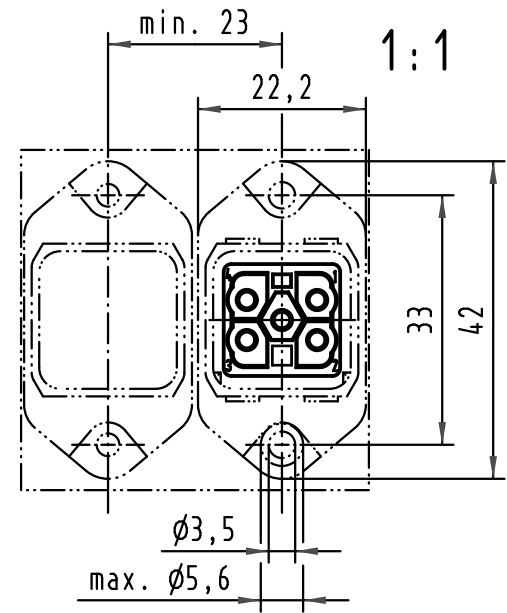
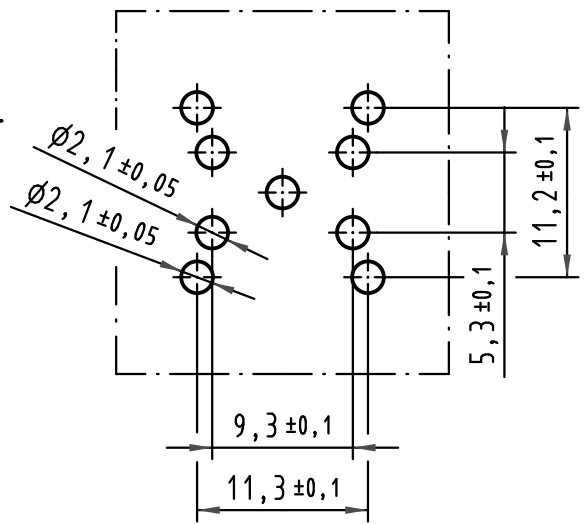
Anbaugehäuse
bulkhead housing

Dichtung
seal

1 bezogen auf den Jack
related to jack

2 bezogen auf PCB
related to PCB

PCB-Layout



ALL Dimensions in mm Original Size DIN A 4			Techn. Character.			Nicht tolerierte Maßel Free size tolerances			
			Dat.	Name	Maßstab/Scale 2:1 1:1	Han PushPull Power 4/0 M-L gerade / straight			
			Detail.	26.06.09					Bus.
			Insp.	26.06.09					Weg
			Stand.						
35997	28.01.10	hsv	HARTING Electronics GmbH & Co. KG			TB 09 35 002 3004			
35529			D-32339 ESPELKAMP						
Mod.	Dat.	Name				Sub.			