



Chipsmall Limited consists of a professional team with an average of over 10 year of expertise in the distribution of electronic components. Based in Hongkong, we have already established firm and mutual-benefit business relationships with customers from,Europe,America and south Asia,supplying obsolete and hard-to-find components to meet their specific needs.

With the principle of "Quality Parts,Customers Priority,Honest Operation,and Considerate Service",our business mainly focus on the distribution of electronic components. Line cards we deal with include Microchip,ALPS,ROHM,Xilinx,Pulse,ON,Everlight and Freescale. Main products comprise IC,Modules,Potentiometer,IC Socket,Relay,Connector.Our parts cover such applications as commercial,industrial, and automotives areas.

We are looking forward to setting up business relationship with you and hope to provide you with the best service and solution. Let us make a better world for our industry!



Contact us

Tel: +86-755-8981 8866 Fax: +86-755-8427 6832

Email & Skype: info@chipsmall.com Web: www.chipsmall.com

Address: A1208, Overseas Decoration Building, #122 Zhenhua RD., Futian, Shenzhen, China



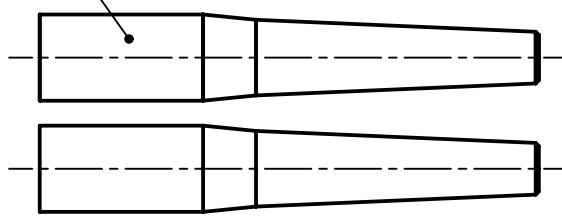
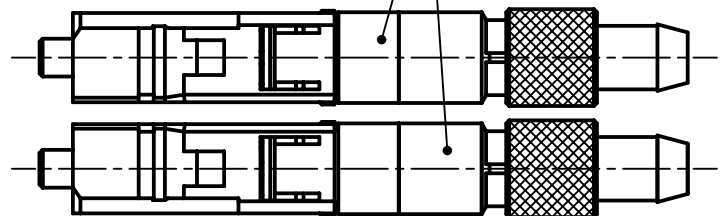
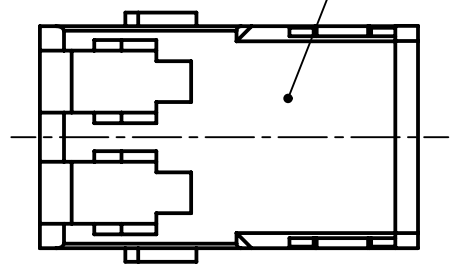
1 2 3 4 5 6

A

Datencontainer SCRJ
data container SCRJ

2x SC-POF Stecker mit Klemm-Mutter
2x SC-POF connector with lock nut

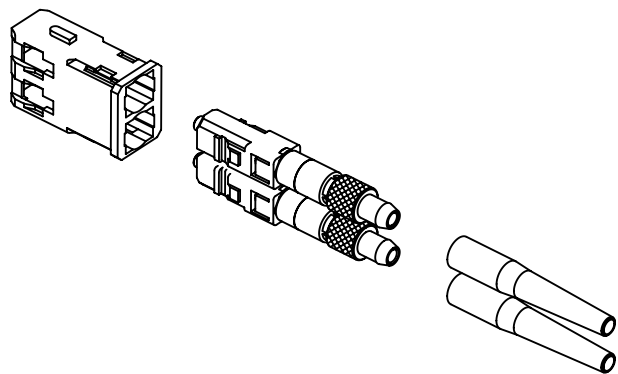
Knickschutz
bend protection

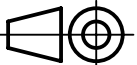



B

C

D



 All Dimensions in mm Original Size DIN A4	Scale 2:1		Free size tol.		Ref. Sub. TB 09 35 002 4002 Mod.36111 v.23.08.10	
	 All rights reserved Department EC PD - DE	Created by ZWAHR	Inspected by ELLERMANN	Standardisation HOFFMANN	Date 2012-12-12	State Final Release
HARTING Electronics GmbH D-32339 Espelkamp				Title Han PushPull SCRJ POF IP20 plug Doc-Key / ECM-Nr. 100195486/UGD/002/C 500000056362		
Type TB		Number 09350024002			Rev. C	Page 1/1