



Chipsmall Limited consists of a professional team with an average of over 10 year of expertise in the distribution of electronic components. Based in Hongkong, we have already established firm and mutual-benefit business relationships with customers from,Europe,America and south Asia,supplying obsolete and hard-to-find components to meet their specific needs.

With the principle of “Quality Parts,Customers Priority,Honest Operation,and Considerate Service”,our business mainly focus on the distribution of electronic components. Line cards we deal with include Microchip,ALPS,ROHM,Xilinx,Pulse,ON,Everlight and Freescale. Main products comprise IC,Modules,Potentiometer,IC Socket,Relay,Connector.Our parts cover such applications as commercial,industrial, and automotives areas.

We are looking forward to setting up business relationship with you and hope to provide you with the best service and solution. Let us make a better world for our industry!



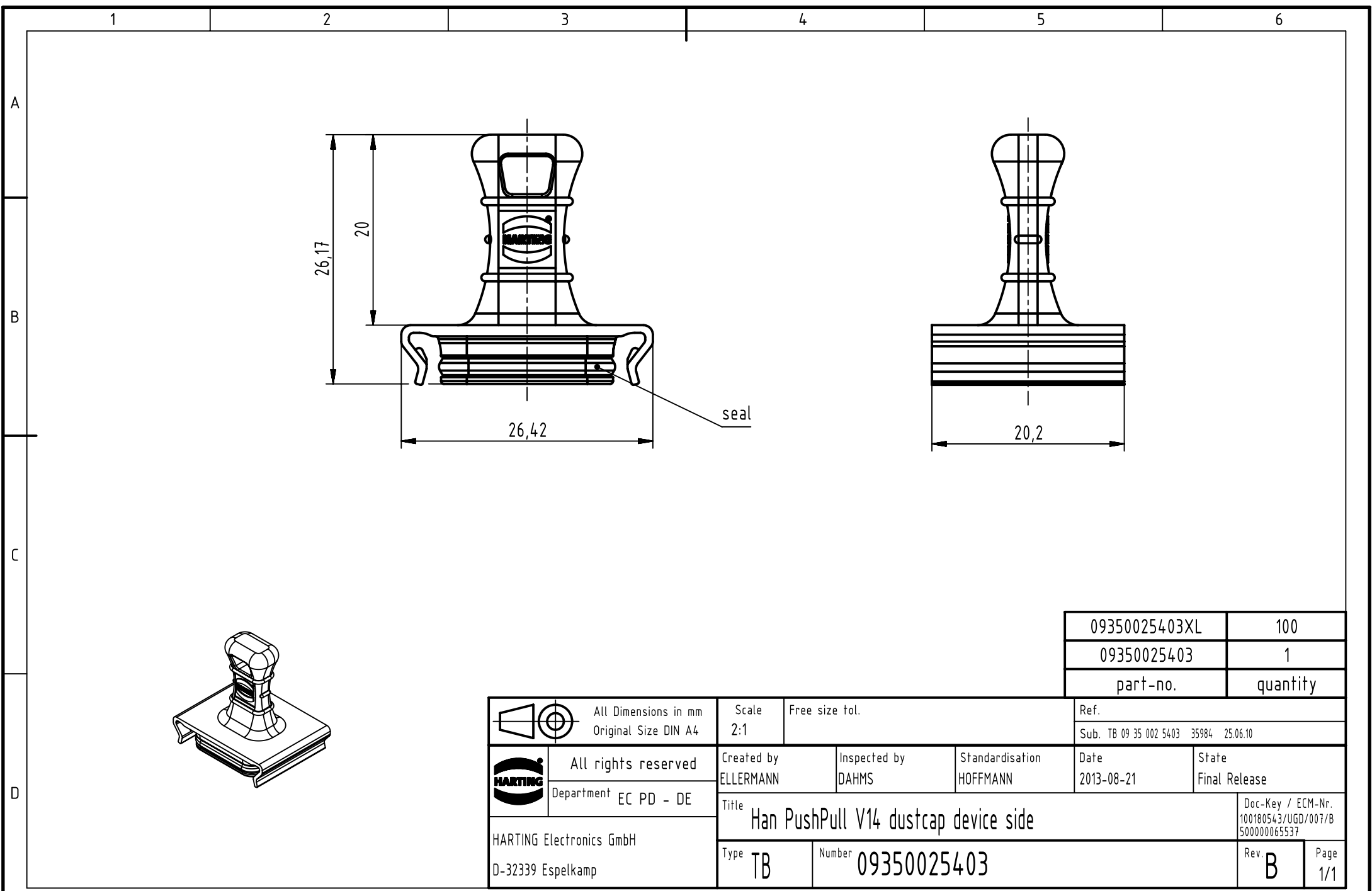
Contact us

Tel: +86-755-8981 8866 Fax: +86-755-8427 6832

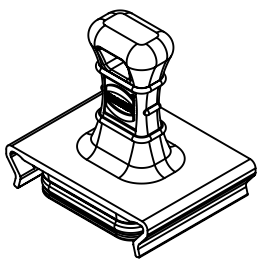
Email & Skype: info@chipsmall.com Web: www.chipsmall.com


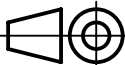
Address: A1208, Overseas Decoration Building, #122 Zhenhua RD., Futian, Shenzhen, China





09350025403XL	100
09350025403	1
part-no.	quantity



	All rights reserved Department EC PD - DE	 All Dimensions in mm Original Size DIN A4	Scale 2:1	Free size tol.		Ref. Sub. TB 09 35 002 5403 35984 25.06.10	
		HARTING Electronics GmbH D-32339 Espelkamp	Created by ELLERMANN	Inspected by DAHMS	Standardisation HOFFMANN	Date 2013-08-21	State Final Release
Title Han PushPull V14 dustcap device side						Doc-Key / ECM-Nr. 100180543/UGD/007/B 500000065537	
		Type TB	Number 09350025403			Rev. B	Page 1/1