



Chipsmall Limited consists of a professional team with an average of over 10 year of expertise in the distribution of electronic components. Based in Hongkong, we have already established firm and mutual-benefit business relationships with customers from,Europe,America and south Asia,supplying obsolete and hard-to-find components to meet their specific needs.

With the principle of “Quality Parts,Customers Priority,Honest Operation,and Considerate Service”,our business mainly focus on the distribution of electronic components. Line cards we deal with include Microchip,ALPS,ROHM,Xilinx,Pulse,ON,Everlight and Freescale. Main products comprise IC,Modules,Potentiometer,IC Socket,Relay,Connector.Our parts cover such applications as commercial,industrial, and automotives areas.

We are looking forward to setting up business relationship with you and hope to provide you with the best service and solution. Let us make a better world for our industry!



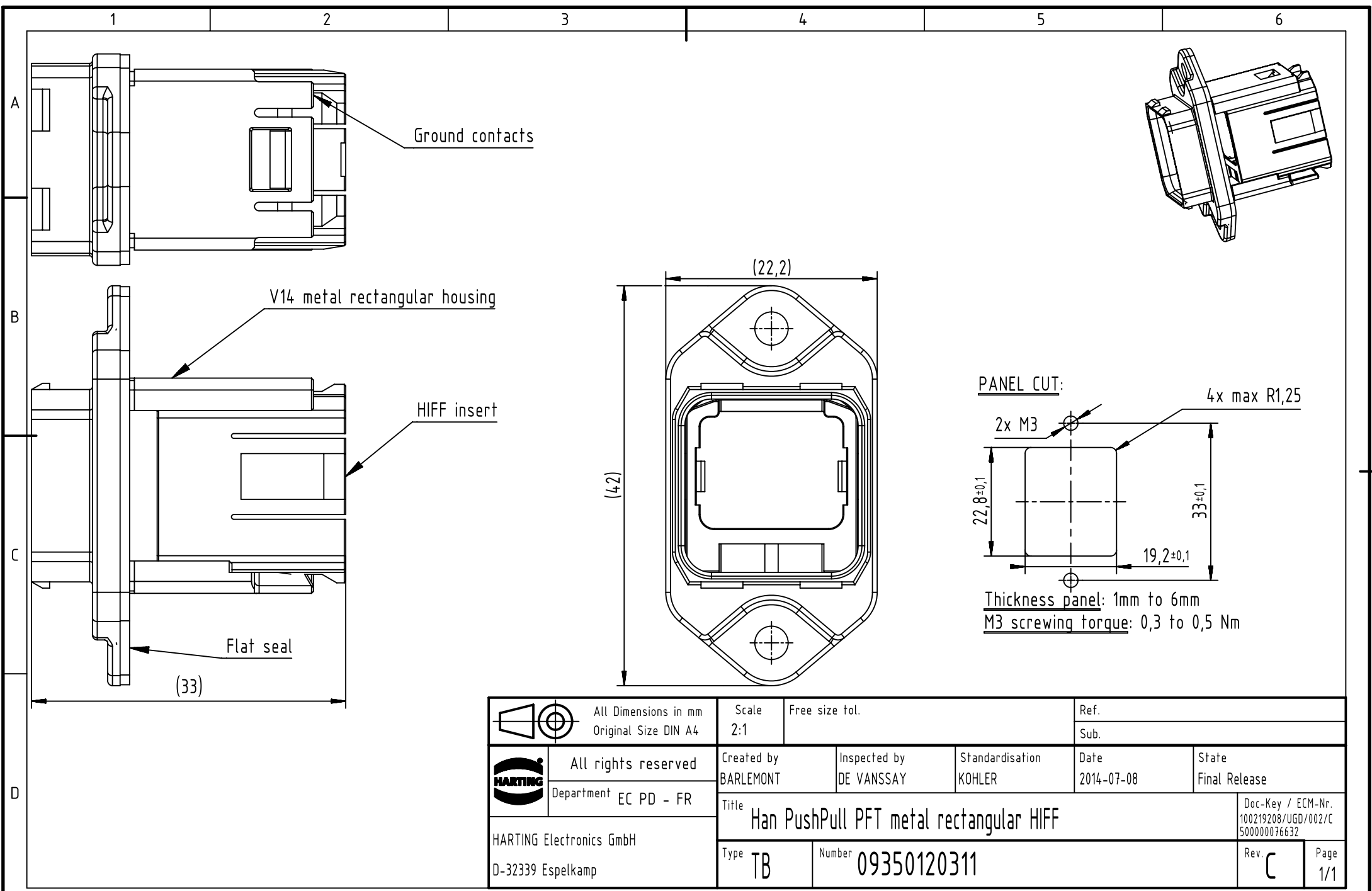
## Contact us

Tel: +86-755-8981 8866 Fax: +86-755-8427 6832

Email & Skype: info@chipsmall.com Web: www.chipsmall.com

Address: A1208, Overseas Decoration Building, #122 Zhenhua RD., Futian, Shenzhen, China





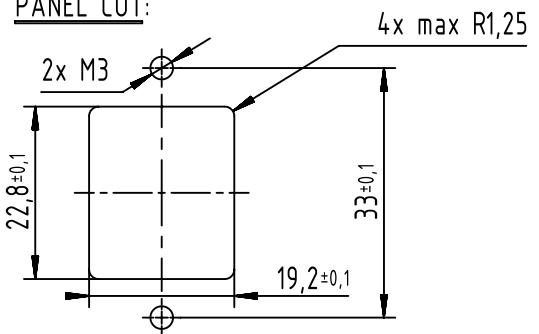
Ground contacts

V14 metal rectangular housing

HIFF insert

Flat seal

PANEL CUT:



Thickness panel: 1mm to 6mm  
M3 screwing torque: 0,3 to 0,5 Nm

	All rights reserved Department EC PD - FR	All Dimensions in mm Original Size DIN A4		Scale 2:1	Free size tol.	Ref. Sub.
		Created by BARLEMONT	Inspected by DE VANSAY	Standardisation KOHLER	Date 2014-07-08	State Final Release
HARTING Electronics GmbH D-32339 Espelkamp		Title Han PushPull PFT metal rectangular HIFF				Doc-Key / ECM-Nr. 100219208/UGD/002/C 500000076632
		Type TB	Number 09350120311		Rev. C	Page 1/1