



Chipsmall Limited consists of a professional team with an average of over 10 year of expertise in the distribution of electronic components. Based in Hongkong, we have already established firm and mutual-benefit business relationships with customers from,Europe,America and south Asia,supplying obsolete and hard-to-find components to meet their specific needs.

With the principle of “Quality Parts,Customers Priority,Honest Operation,and Considerate Service”,our business mainly focus on the distribution of electronic components. Line cards we deal with include Microchip,ALPS,ROHM,Xilinx,Pulse,ON,Everlight and Freescale. Main products comprise IC,Modules,Potentiometer,IC Socket,Relay,Connector.Our parts cover such applications as commercial,industrial, and automotives areas.

We are looking forward to setting up business relationship with you and hope to provide you with the best service and solution. Let us make a better world for our industry!



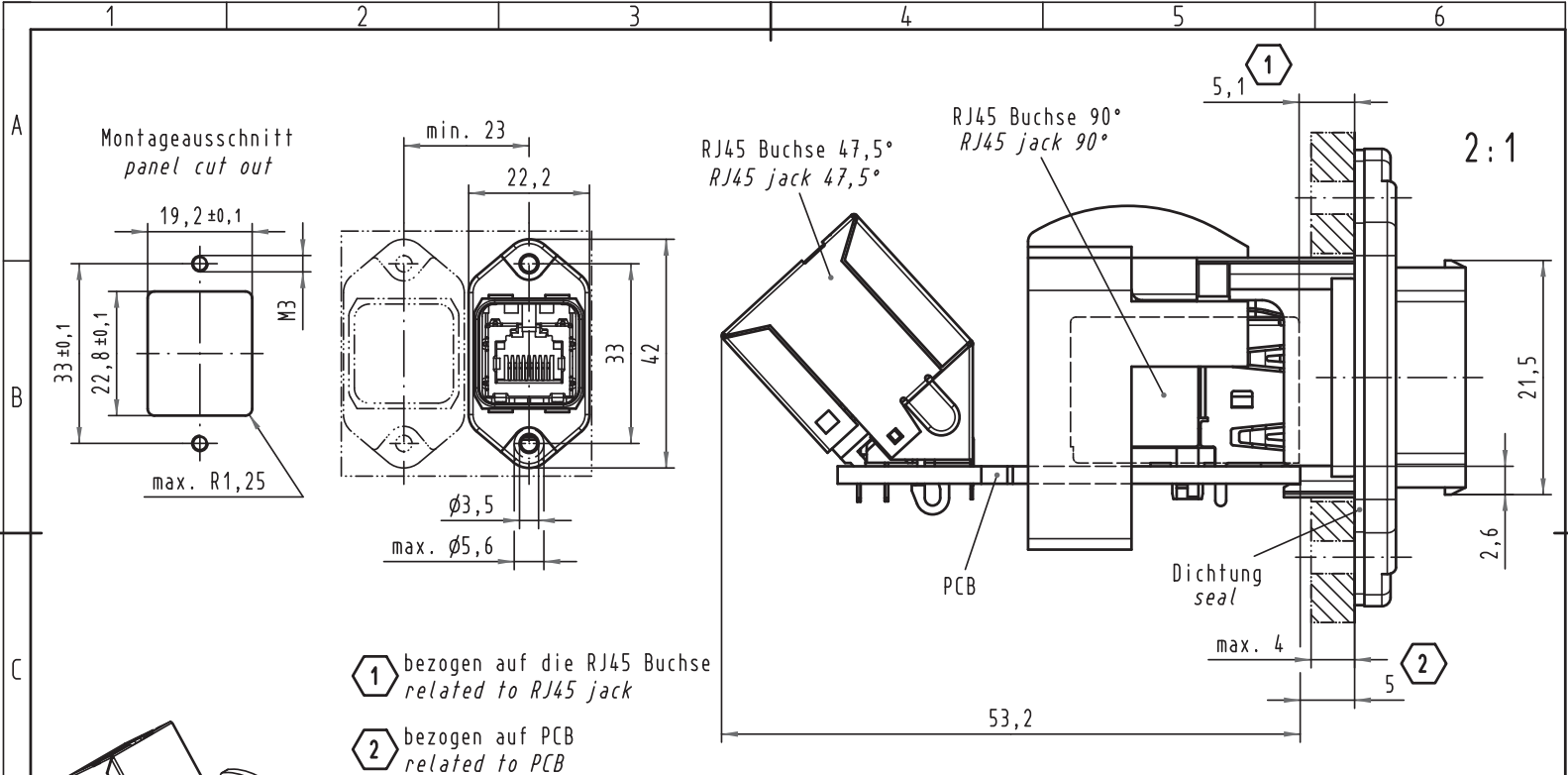
Contact us

Tel: +86-755-8981 8866 Fax: +86-755-8427 6832

Email & Skype: info@chipsmall.com Web: www.chipsmall.com

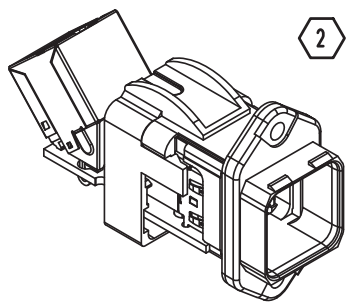
Address: A1208, Overseas Decoration Building, #122 Zhenhua RD., Futian, Shenzhen, China





1 bezogen auf die RJ45 Buchse
related to RJ45 jack

2 bezogen auf PCB
related to PCB



All Dimensions in mm Original Size DIN A 4			Techn. Character.			Nicht tolerierte Maß/Free size tolerances			
				Dat.	Name	Maßstab/Scale			
				Detail.	20.03.08	Ho	1:1		
				Insp.		drie	(2:1)		
35944	04.12.09	Bus.		Stand.			Han PushPull RJ45		
413856	09.05.08	Rull					Kunststoff WDF PCB RJ45 90°+47,5° CAT 5		
413764							plastic PFT PCB RJ45 90°+47,5° CAT 5		
Mod.	Dat.	Name	HARTING Electronics GmbH & Co. KG			TB 09 35 224 0331			
			D-32339 ESPELKAMP			Sub.			
									Blatt/page