



Chipsmall Limited consists of a professional team with an average of over 10 year of expertise in the distribution of electronic components. Based in Hongkong, we have already established firm and mutual-benefit business relationships with customers from,Europe,America and south Asia,supplying obsolete and hard-to-find components to meet their specific needs.

With the principle of “Quality Parts,Customers Priority,Honest Operation,and Considerate Service”,our business mainly focus on the distribution of electronic components. Line cards we deal with include Microchip,ALPS,ROHM,Xilinx,Pulse,ON,Everlight and Freescale. Main products comprise IC,Modules,Potentiometer,IC Socket,Relay,Connector.Our parts cover such applications as commercial,industrial, and automotives areas.

We are looking forward to setting up business relationship with you and hope to provide you with the best service and solution. Let us make a better world for our industry!



Contact us

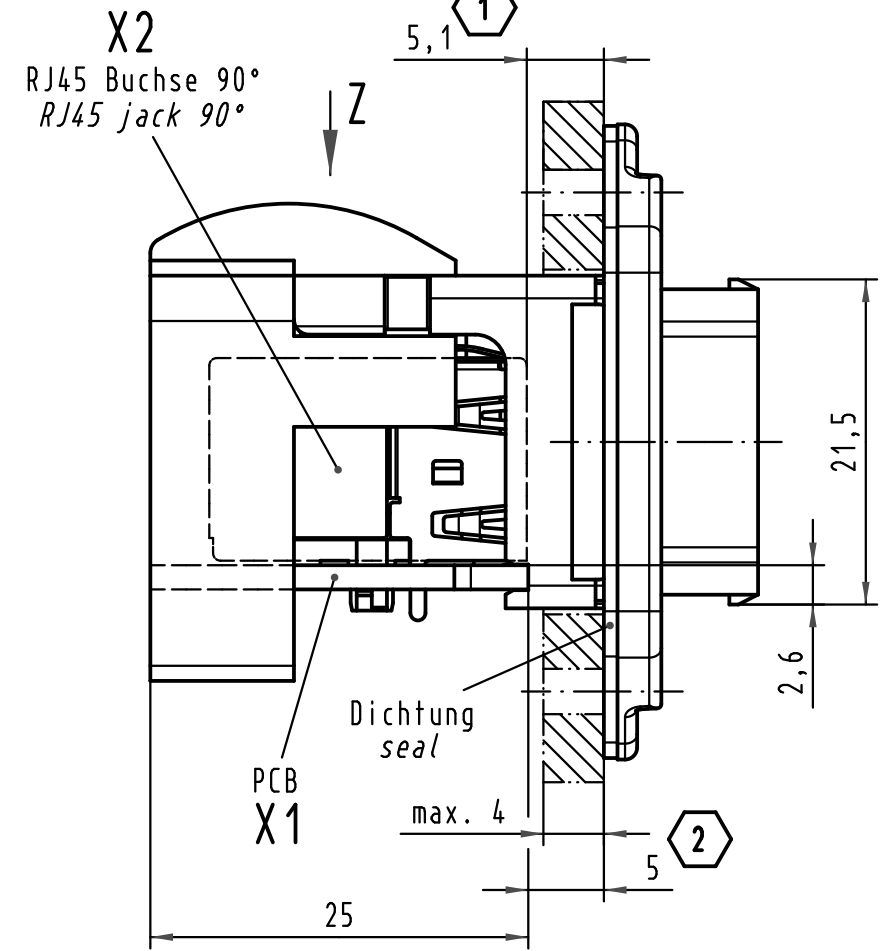
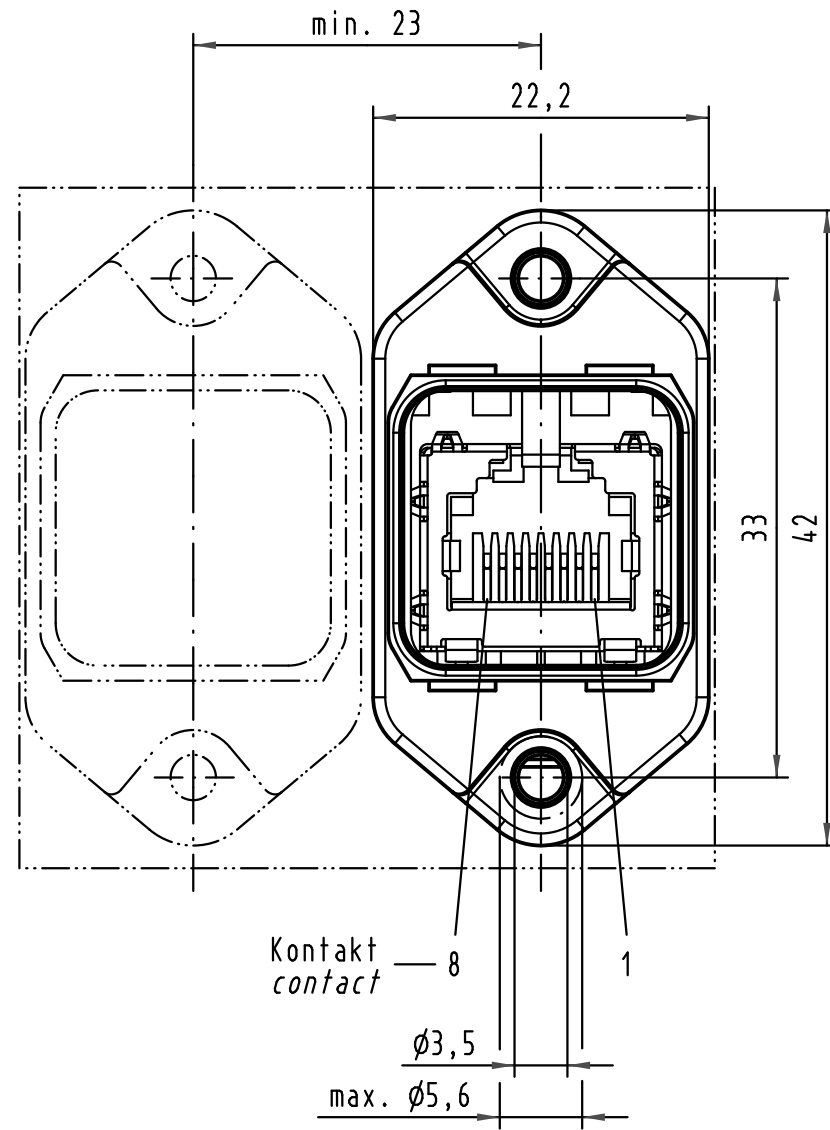
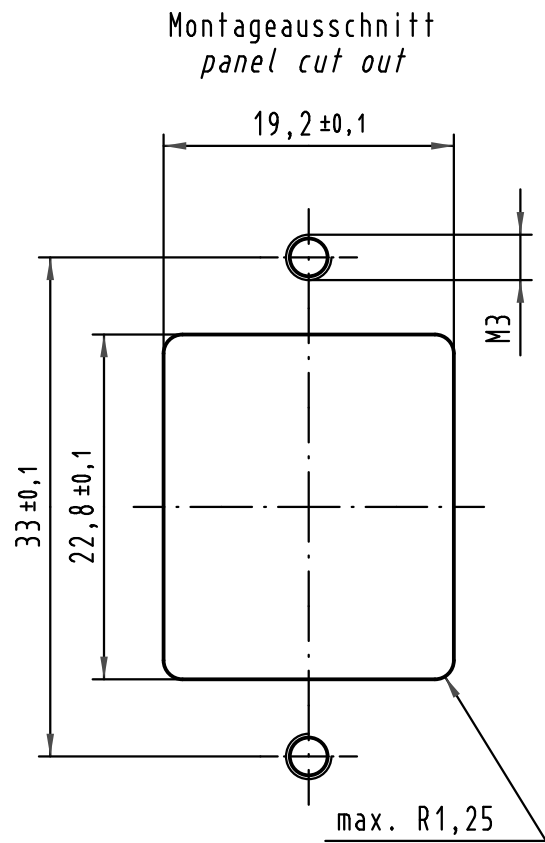
Tel: +86-755-8981 8866 Fax: +86-755-8427 6832

Email & Skype: info@chipsmall.com Web: www.chipsmall.com

Address: A1208, Overseas Decoration Building, #122 Zhenhua RD., Futian, Shenzhen, China

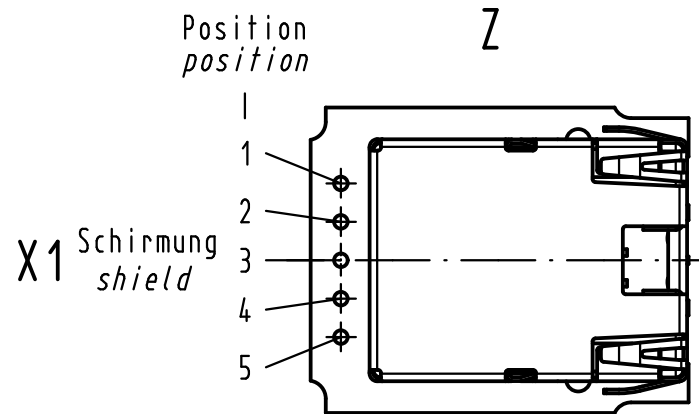


Alle Rechte vorbehalten/ All rights reserved



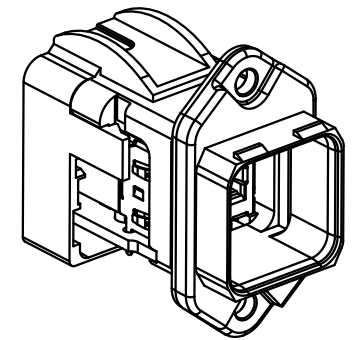
Kontaktbelegung
pin assignment

X1	X2
1	1
2	2
4	3
	4
	5
5	6
	7
	8
3	shield a
	shield b



1 bezogen auf die RJ45 Buchse
related to RJ45 jack

2 bezogen auf PCB
related to PCB



All Dimensions in mm Original Size DIN A 4			Techn. Character.			Nicht tolerierte Maß/Free size tolerances	
				Dat.	Name	Maßstab/Scale 2:1	Han PushPull RJ45 Metall WDF PCB RJ45 90° CAT 5 metal PFT PCB RJ45 90° CAT 5
			Detail.	17.06.08	Bor		
			Insp.		drie		
35982	27.04.10	Bus.	Stand.				
35944	11.12.09	Bus.					
413999							
Mod.	Dat.	Name	HARTING Electronics GmbH & Co. KG D-32339 ESPELKAMP			Sub.	TB 09 35 226 0311 Blatt/page
			HARTING				