



Chipsmall Limited consists of a professional team with an average of over 10 year of expertise in the distribution of electronic components. Based in Hongkong, we have already established firm and mutual-benefit business relationships with customers from,Europe,America and south Asia,supplying obsolete and hard-to-find components to meet their specific needs.

With the principle of “Quality Parts,Customers Priority,Honest Operation,and Considerate Service”,our business mainly focus on the distribution of electronic components. Line cards we deal with include Microchip,ALPS,ROHM,Xilinx,Pulse,ON,Everlight and Freescale. Main products comprise IC,Modules,Potentiometer,IC Socket,Relay,Connector.Our parts cover such applications as commercial,industrial, and automotives areas.

We are looking forward to setting up business relationship with you and hope to provide you with the best service and solution. Let us make a better world for our industry!



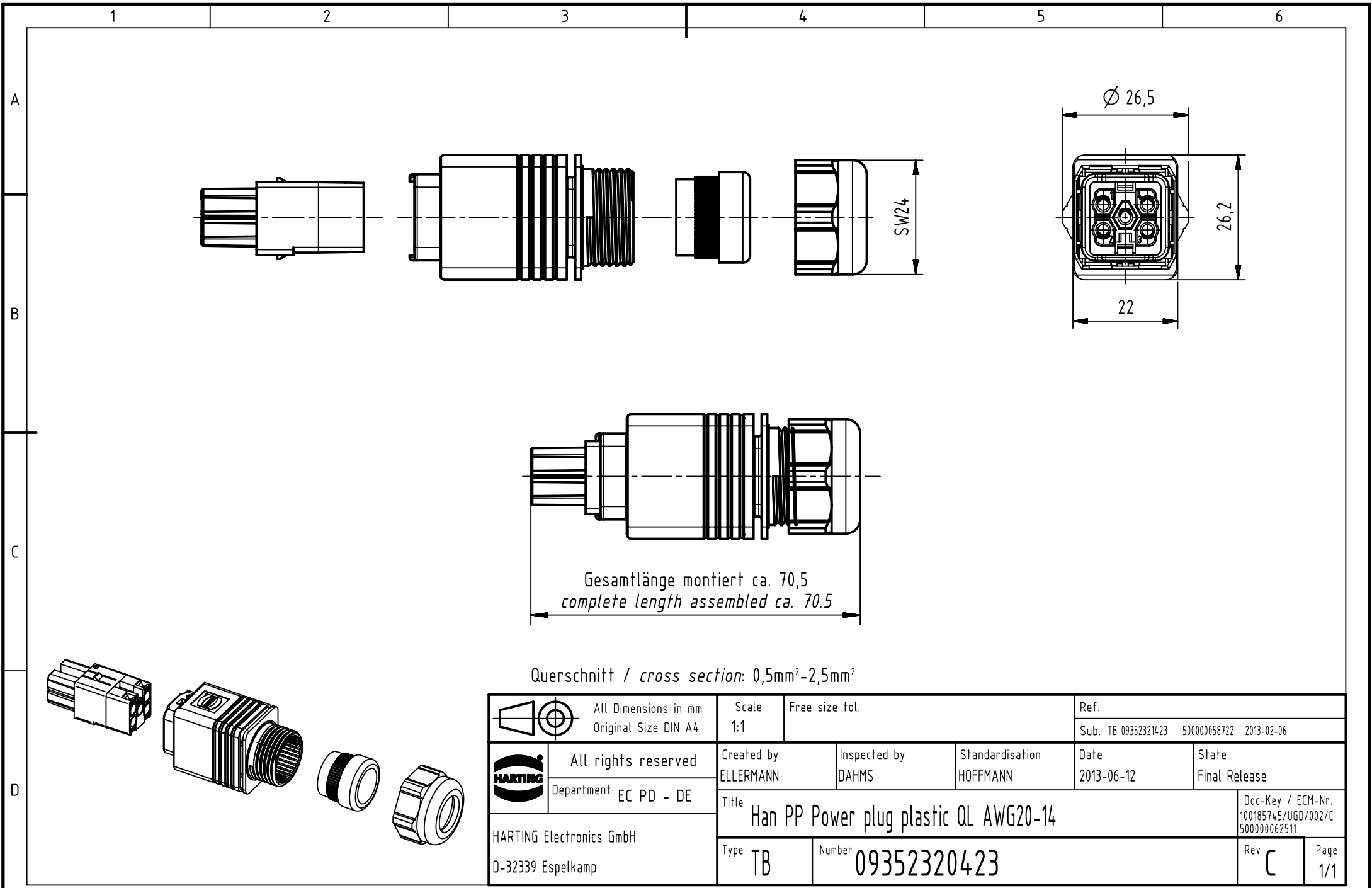
Contact us

Tel: +86-755-8981 8866 Fax: +86-755-8427 6832

Email & Skype: info@chipsmall.com Web: www.chipsmall.com

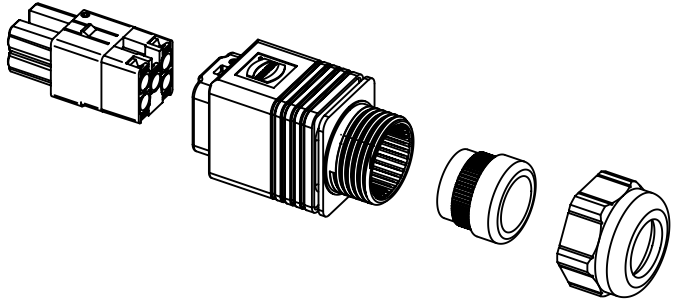
Address: A1208, Overseas Decoration Building, #122 Zhenhua RD., Futian, Shenzhen, China





Gesamtlänge montiert ca. 70,5
complete length assembled ca. 70.5

Querschnitt / cross section: 0,5mm²-2,5mm²



	All rights reserved Department EC PD - DE	All Dimensions in mm Original Size DIN A4		Scale 1:1	Free size tol.	Ref. Sub. TB 09352321423 500000058722 2013-02-06	
		Created by ELLERMANN	Inspected by DAHMS	Standardisation HOFFMANN	Date 2013-06-12	State Final Release	
HARTING Electronics GmbH D-32339 Espelkamp		Title Han PP Power plug plastic QL AWG20-14				Doc-Key / ECM-Nr. 100185745/UGD/002/C 500000062511	
		Type TB	Number 09352320423			Rev. C	Page 1/1