



Chipsmall Limited consists of a professional team with an average of over 10 year of expertise in the distribution of electronic components. Based in Hongkong, we have already established firm and mutual-benefit business relationships with customers from,Europe,America and south Asia,supplying obsolete and hard-to-find components to meet their specific needs.

With the principle of “Quality Parts,Customers Priority,Honest Operation,and Considerate Service”,our business mainly focus on the distribution of electronic components. Line cards we deal with include Microchip,ALPS,ROHM,Xilinx,Pulse,ON,Everlight and Freescale. Main products comprise IC,Modules,Potentiometer,IC Socket,Relay,Connector.Our parts cover such applications as commercial,industrial, and automotives areas.

We are looking forward to setting up business relationship with you and hope to provide you with the best service and solution. Let us make a better world for our industry!



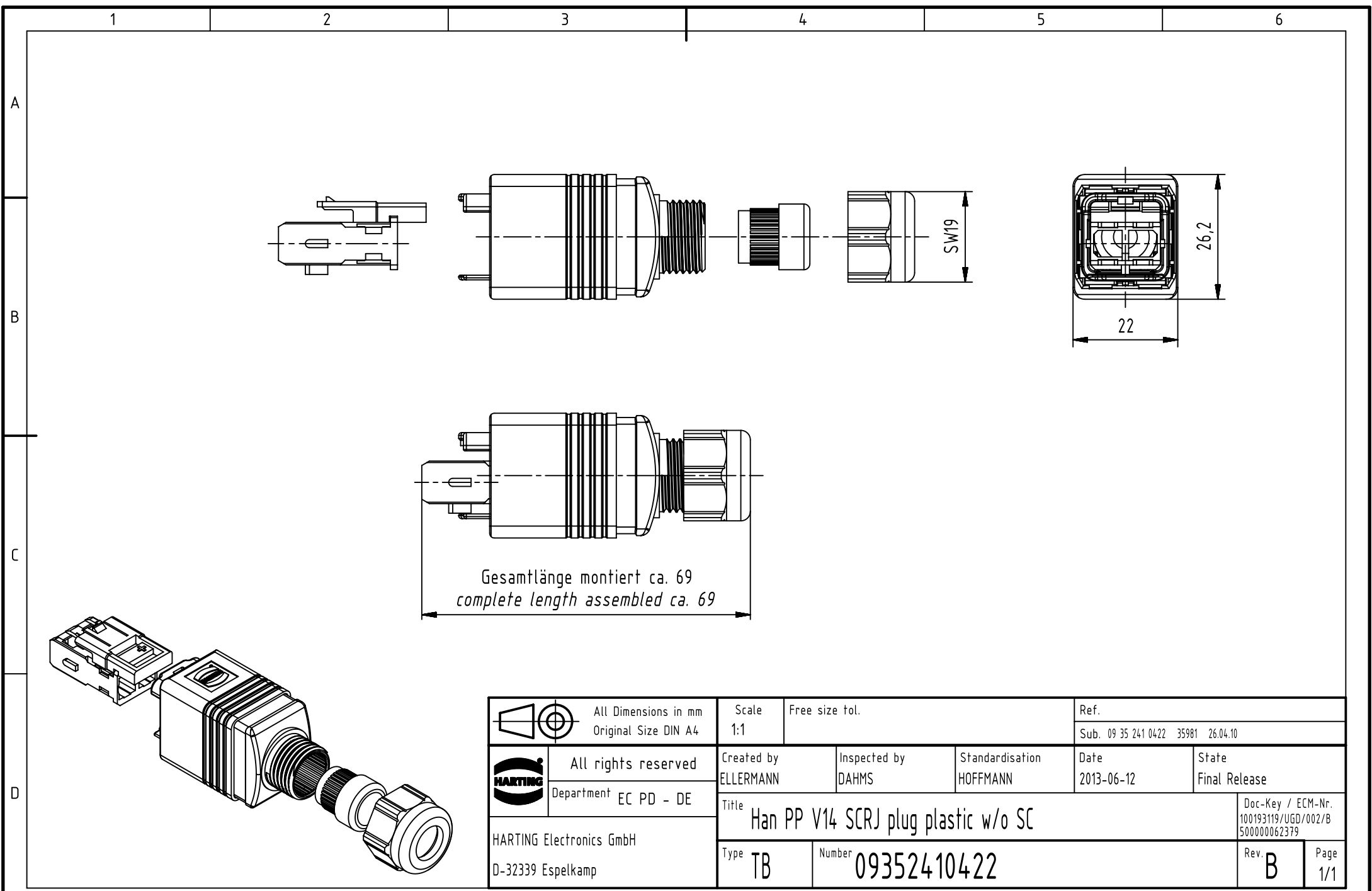
## Contact us

Tel: +86-755-8981 8866 Fax: +86-755-8427 6832

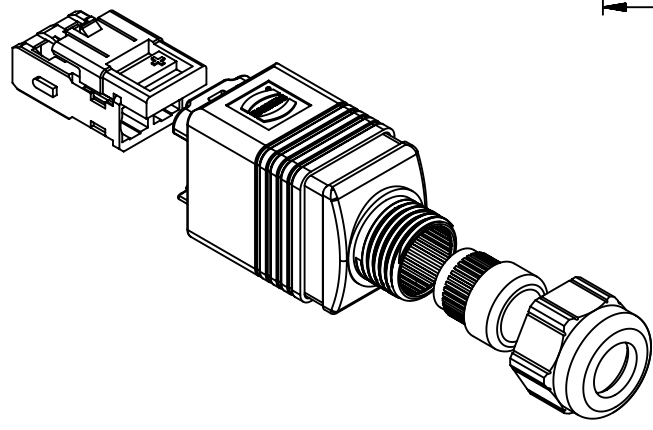
Email & Skype: info@chipsmall.com Web: www.chipsmall.com

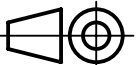

Address: A1208, Overseas Decoration Building, #122 Zhenhua RD., Futian, Shenzhen, China





Gesamtlänge montiert ca. 69  
complete length assembled ca. 69



 All Dimensions in mm Original Size DIN A4	Scale 1:1		Free size tol.		Ref.	
					Sub. 09 35 241 0422 35981 26.04.10	
 All rights reserved Department EC PD - DE	Created by ELLERMANN		Inspected by DAHMS		Standardisation HOFFMANN	
	Date 2013-06-12		State Final Release			
HARTING Electronics GmbH D-32339 Espelkamp					Title Han PP V14 SCRJ plug plastic w/o SC	
					Doc-Key / ECM-Nr. 100193119/UGD/002/B 500000062379	
Type TB			Number 09352410422			Rev. B
						Page 1/1