



Chipsmall Limited consists of a professional team with an average of over 10 year of expertise in the distribution of electronic components. Based in Hongkong, we have already established firm and mutual-benefit business relationships with customers from,Europe,America and south Asia,supplying obsolete and hard-to-find components to meet their specific needs.

With the principle of “Quality Parts,Customers Priority,Honest Operation,and Considerate Service”,our business mainly focus on the distribution of electronic components. Line cards we deal with include Microchip,ALPS,ROHM,Xilinx,Pulse,ON,Everlight and Freescale. Main products comprise IC,Modules,Potentiometer,IC Socket,Relay,Connector.Our parts cover such applications as commercial,industrial, and automotives areas.

We are looking forward to setting up business relationship with you and hope to provide you with the best service and solution. Let us make a better world for our industry!



Contact us

Tel: +86-755-8981 8866 Fax: +86-755-8427 6832

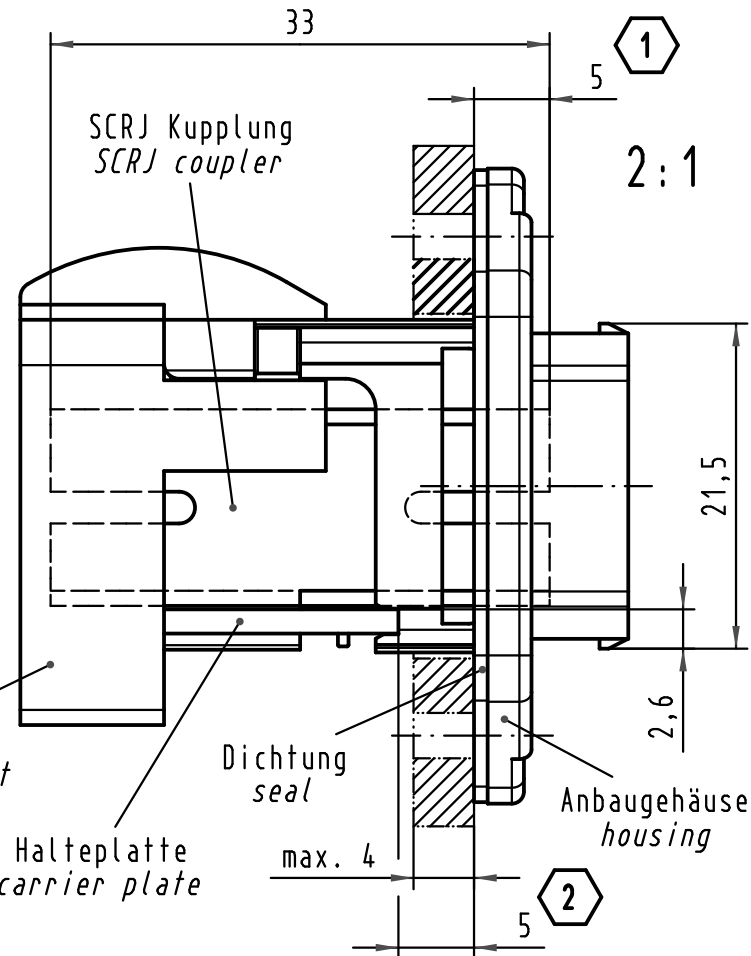
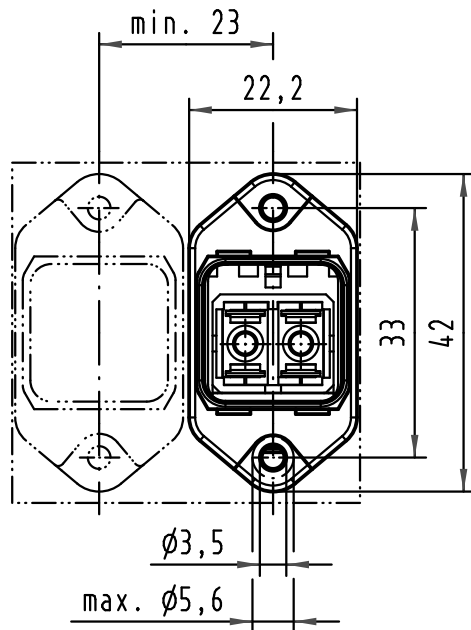
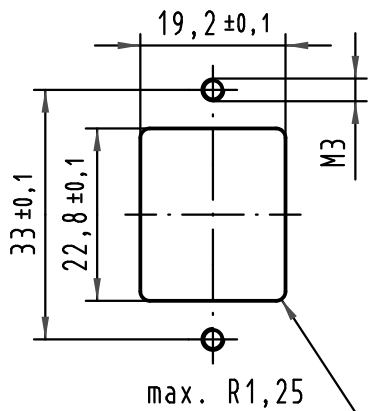
Email & Skype: info@chipsmall.com Web: www.chipsmall.com

Address: A1208, Overseas Decoration Building, #122 Zhenhua RD., Futian, Shenzhen, China



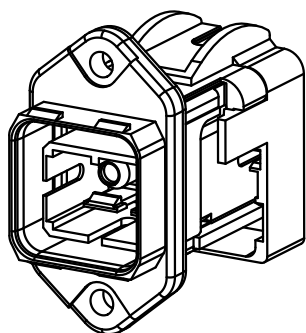


Montageausschnitt
panel cut out



① bezogen auf die SCRJ Kupplung
related to SCRJ coupler

② bezogen auf die Halteplatte
related to carrier plate



All Dimensions in mm Original Size DIN A 4			Techn. Character.			Nicht tolerierte Maß/Free size tolerances				
				Dat.	Name	Maßstab/Scale 1:1	Han PushPull SCRJ Kunststoff WDF SCRJ Kupplung plastic PFT SCRJ coupler			
			Detail.	15.01.08	Bor					
			Insp.		drie					
35983	27.04.10	Bus.	Stand.							
413856	20.05.08	RuLL	HARTING Electronics GmbH & Co. KG				TB 09 35 242 0333			
413567			D-32339 ESPELKAMP							
Mod.	Dat.	Name					Blatt/ page			
							Sub.			