



Chipsmall Limited consists of a professional team with an average of over 10 year of expertise in the distribution of electronic components. Based in Hongkong, we have already established firm and mutual-benefit business relationships with customers from,Europe,America and south Asia,supplying obsolete and hard-to-find components to meet their specific needs.

With the principle of "Quality Parts,Customers Priority,Honest Operation,and Considerate Service",our business mainly focus on the distribution of electronic components. Line cards we deal with include Microchip,ALPS,ROHM,Xilinx,Pulse,ON,Everlight and Freescale. Main products comprise IC,Modules,Potentiometer,IC Socket,Relay,Connector.Our parts cover such applications as commercial,industrial, and automotives areas.

We are looking forward to setting up business relationship with you and hope to provide you with the best service and solution. Let us make a better world for our industry!



## Contact us

Tel: +86-755-8981 8866 Fax: +86-755-8427 6832

Email & Skype: info@chipsmall.com Web: www.chipsmall.com

Address: A1208, Overseas Decoration Building, #122 Zhenhua RD., Futian, Shenzhen, China



5

4

3

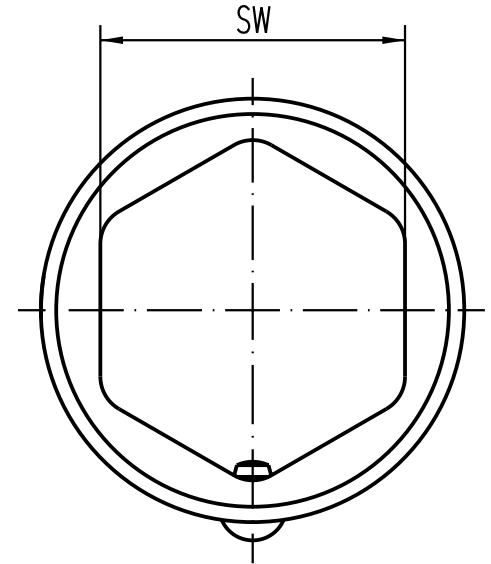
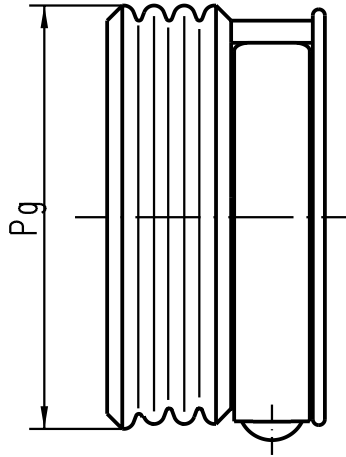
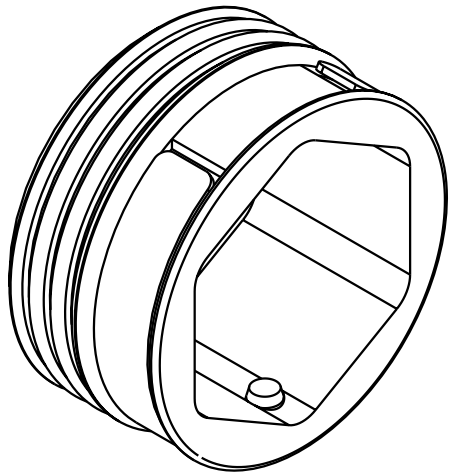
2

1

D

C

B



beispielhafte Darstellung/  
*exemplary drawings*  
 Fixierring für Pg11  
*anti-twist device for Pg11*

A



All Dimensions in mm  
 Original Size DIN A 4

Techn. Character.

Nicht tolerierte Masse/ *Free size tolerances*

	Dat.	Name	Massstab/Scale
Detail.	19.02.93	PENNER	2:1
Insp.		HERB	
Stand.			

Fixierring  
*anti-twist device*

Bestell Nr/ <i>Part No</i>	Pg	SW
09 36 000 9905	29	41
09 36 000 9904	21	30
09 36 000 9903	16	24
09 36 000 9901	11	20

411037	18.05.04	Loe.
Mod.	Dat.	Name

HARTING Electric GmbH & Co. KG  
 D-32339 Espelkamp



TB 09 36 000 990.

Blatt/ page

Sub.