



Chipsmall Limited consists of a professional team with an average of over 10 year of expertise in the distribution of electronic components. Based in Hongkong, we have already established firm and mutual-benefit business relationships with customers from,Europe,America and south Asia,supplying obsolete and hard-to-find components to meet their specific needs.

With the principle of “Quality Parts,Customers Priority,Honest Operation,and Considerate Service”,our business mainly focus on the distribution of electronic components. Line cards we deal with include Microchip,ALPS,ROHM,Xilinx,Pulse,ON,Everlight and Freescale. Main products comprise IC,Modules,Potentiometer,IC Socket,Relay,Connector.Our parts cover such applications as commercial,industrial, and automotives areas.

We are looking forward to setting up business relationship with you and hope to provide you with the best service and solution. Let us make a better world for our industry!



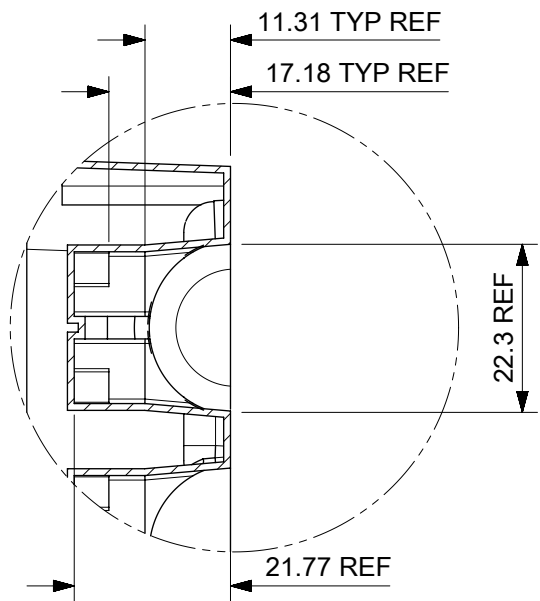
Contact us

Tel: +86-755-8981 8866 Fax: +86-755-8427 6832

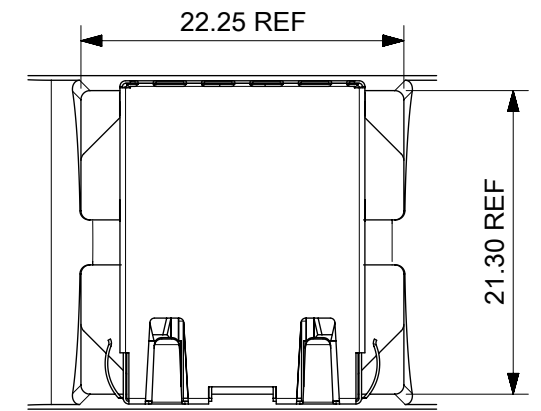
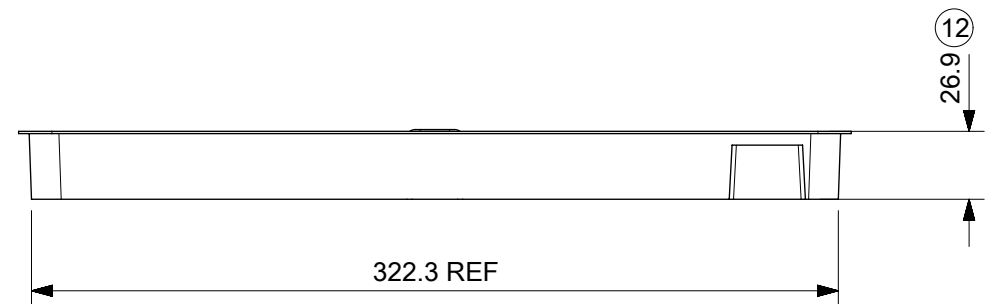
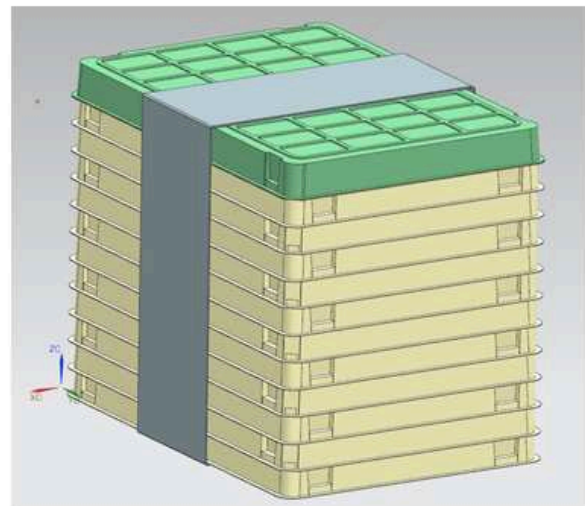
Email & Skype: info@chipsmall.com Web: www.chipsmall.com

Address: A1208, Overseas Decoration Building, #122 Zhenhua RD., Futian, Shenzhen, China

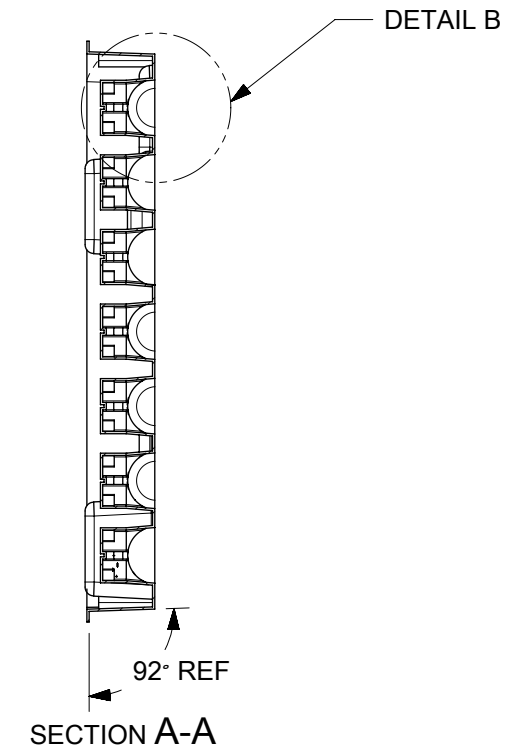
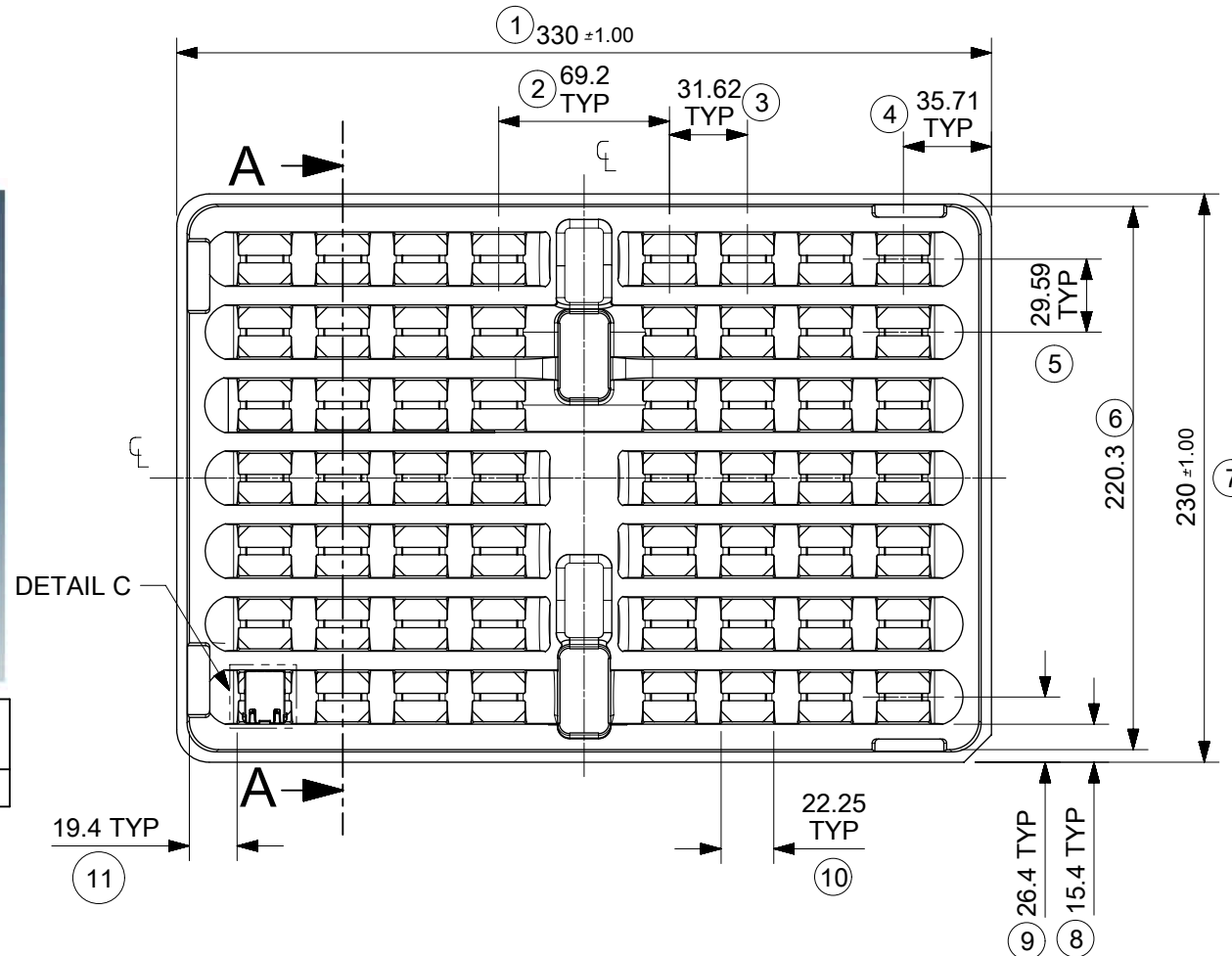




DETAIL B



DETAIL C
SCALE 2:1



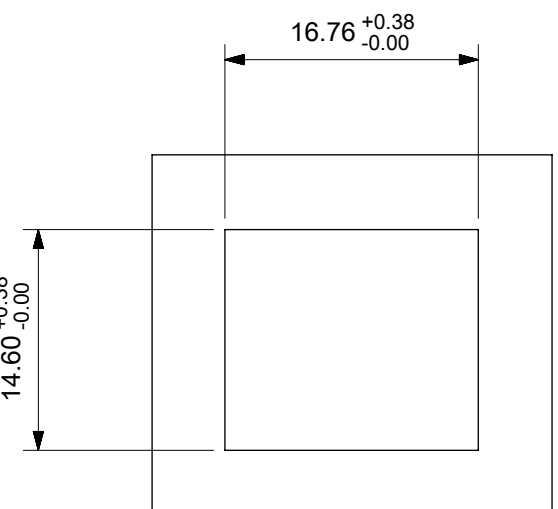
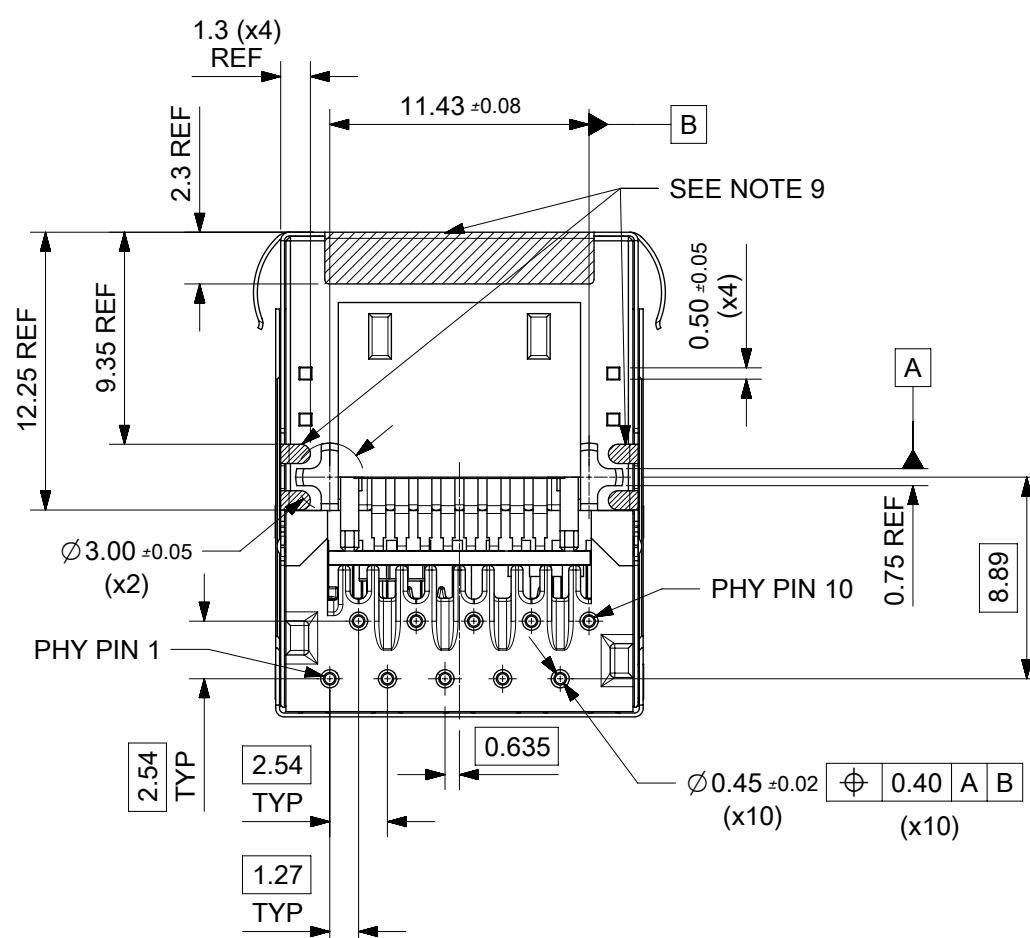
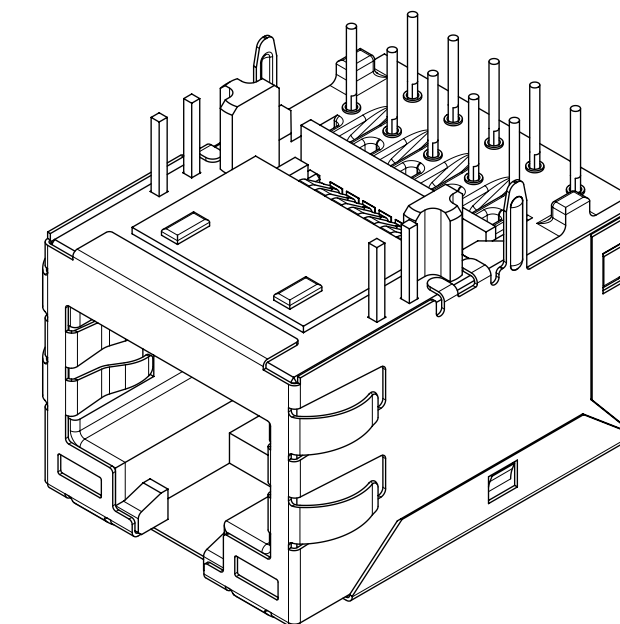
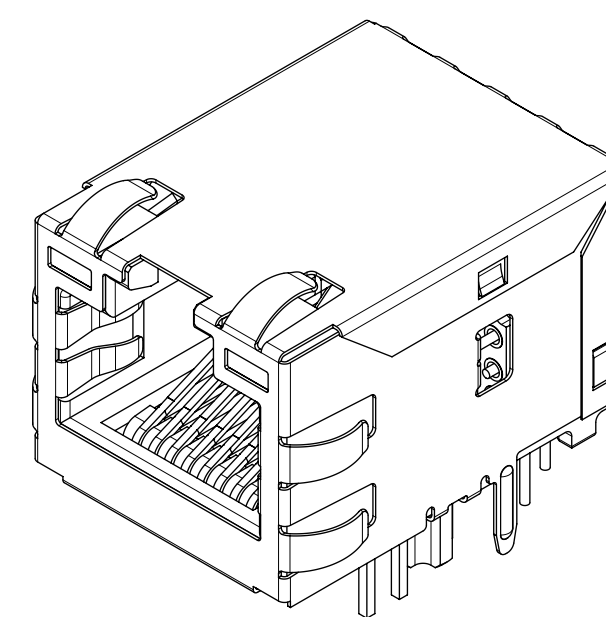
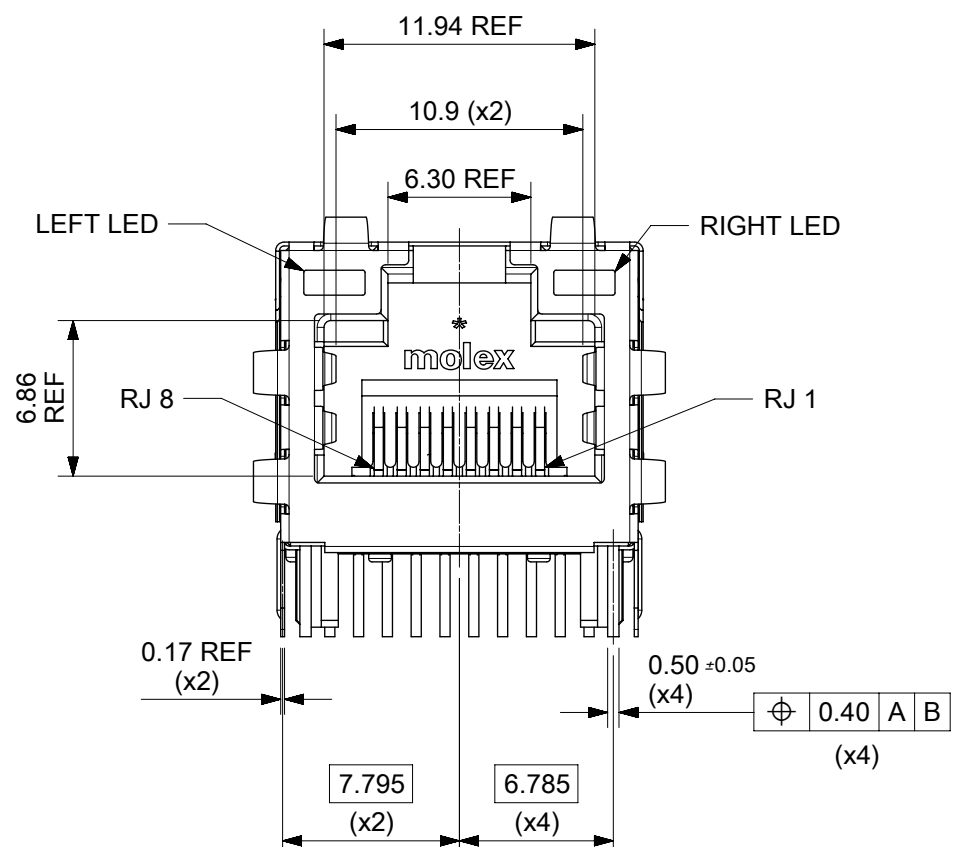
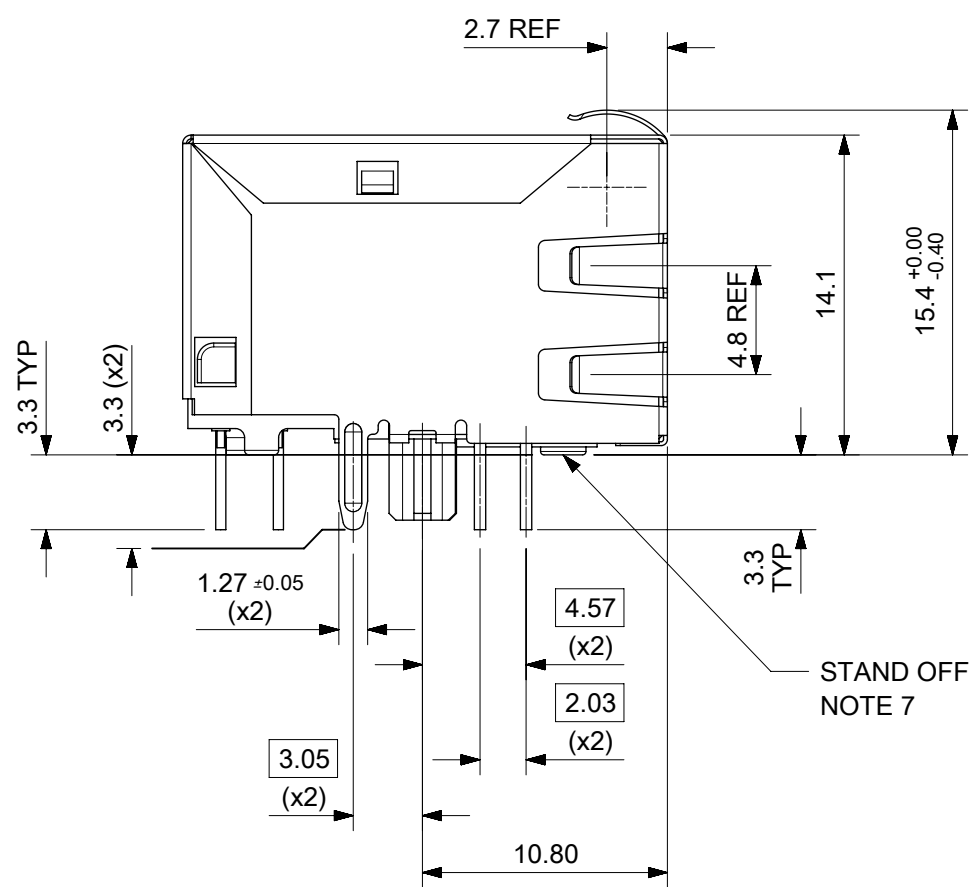
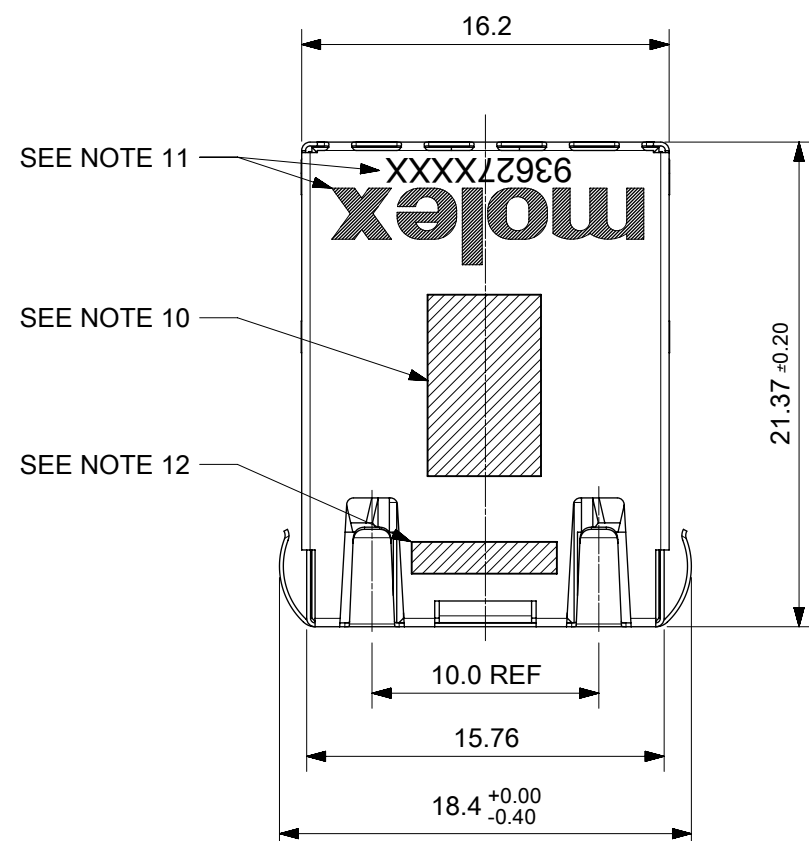
VERSION	QUANTITY PER TRAY	QUANTITY OF TRAYS PER BOX	QUANTITY PER BOX	QUANTITY PER PALLET
0.85" VERSION	56	12	672	18,144

- NOTES:
1. MATERIAL: PETA ANTISTATIC
 2. THICKNESS: 0.9mm ±0.05mm
 3. COLOUR: CLEAR
 4. BOW 2mm MAXIMUM PER 330mm
 5. TWIST 2mm MAXIMUM PER 330mm
 6. TRAY PART NO. AND RECYCLE LOGO TO BE CLEARLY MARKED ON TRAY
RECYCLE LOGO SHOULD BE APPROPRIATE TO MATERIAL USED
 7. WHERE RELEVANT, DIMENSIONS SHOULD BE SYMMETRICAL ABOUT THE CENTRELINE
 8. GENERAL PROFILE TOLERANCE $\frac{\text{M}}{0.40}$ ON NON DIMENSIONED FEATURES

LAST INSPECTION NUMBER USED: 12

THIS DRAWING CONTAINS INFORMATION THAT IS PROPRIETARY TO MOLEX ELECTRONIC TECHNOLOGIES, LLC AND SHOULD NOT BE USED WITHOUT WRITTEN PERMISSION											
QUALITY SYMBOLS FA = 0 FE = 0 FP = 0 FV = 0 FC = 0 FX = 0 FS = 0 FT = 0	ORIGINAL RELEASE EC NO: 109024 DRWN: DALLENO1 CHK'D: DALLENO1 APPR: STGRIFFIN	GENERAL TOLERANCES (UNLESS SPECIFIED) ANGULAR TOL ± 1.0 °		DIMENSION UNITS MM	SCALE 1:3						
		4 PLACES ± 3 PLACES ± 2 PLACES ± 0.2 1 PLACE ± 0.5 0 PLACES ±	DRAFT WHERE APPLICABLE MUST REMAIN WITHIN DIMENSIONS		DRAWING SIZE A3						
		PRODUCT CUSTOMER DRAWING			SERIES 93462	MATERIAL NUMBER 990250150	CUSTOMER GENERAL MARKET				
		RELEASE STATUS: P1 RELEASE DATE: 07.12.2016 13:31:26				DOCUMENT NUMBER: 934620003		DOC TYPE: PSD	DOC PART: K	SHEET NUMBER: 1 OF 1	

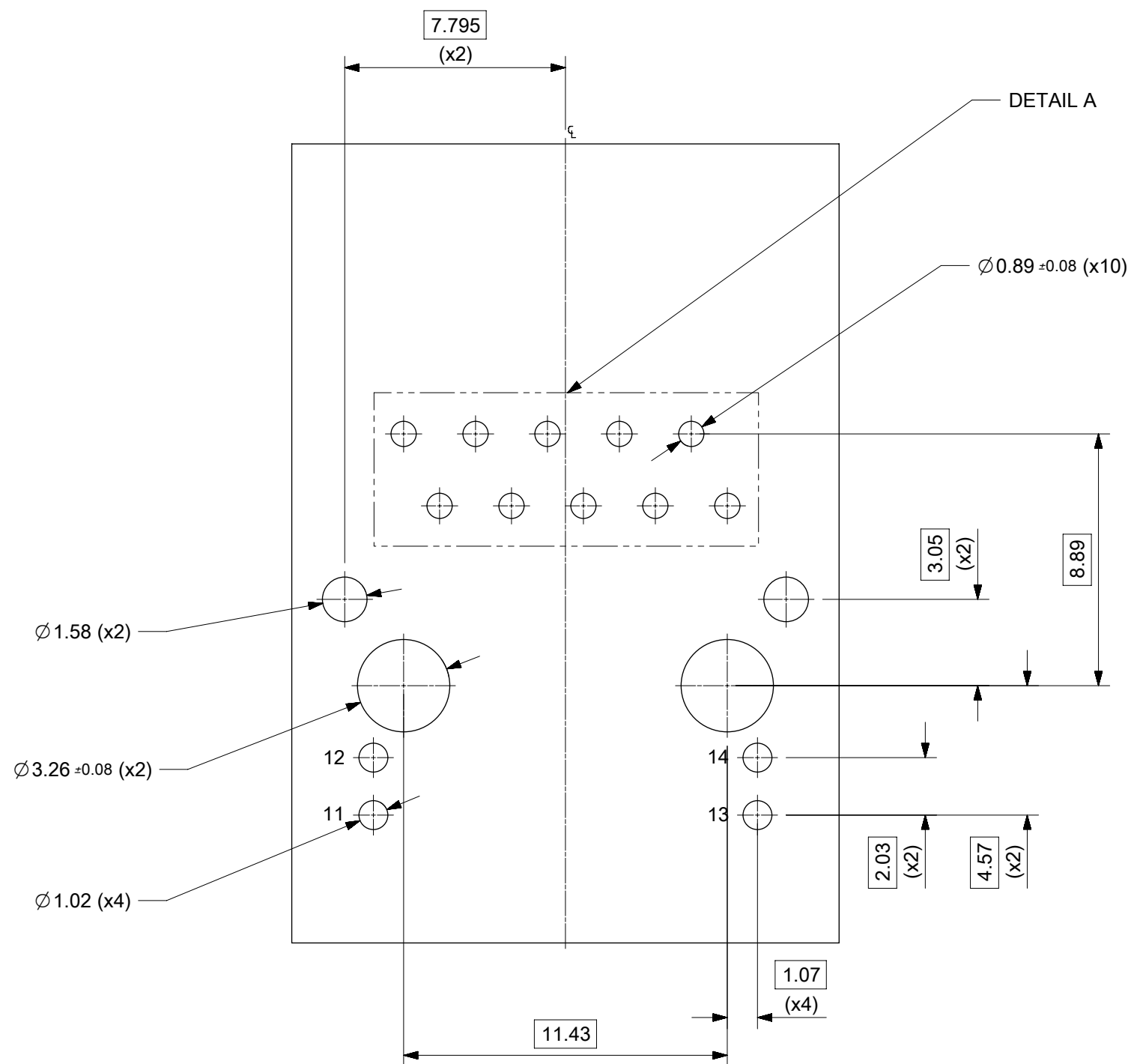
INVERTED PROFILE MAGNETIC JACK
GIGABIT ETHERNET W/LED
AND W/SHIELD TABS



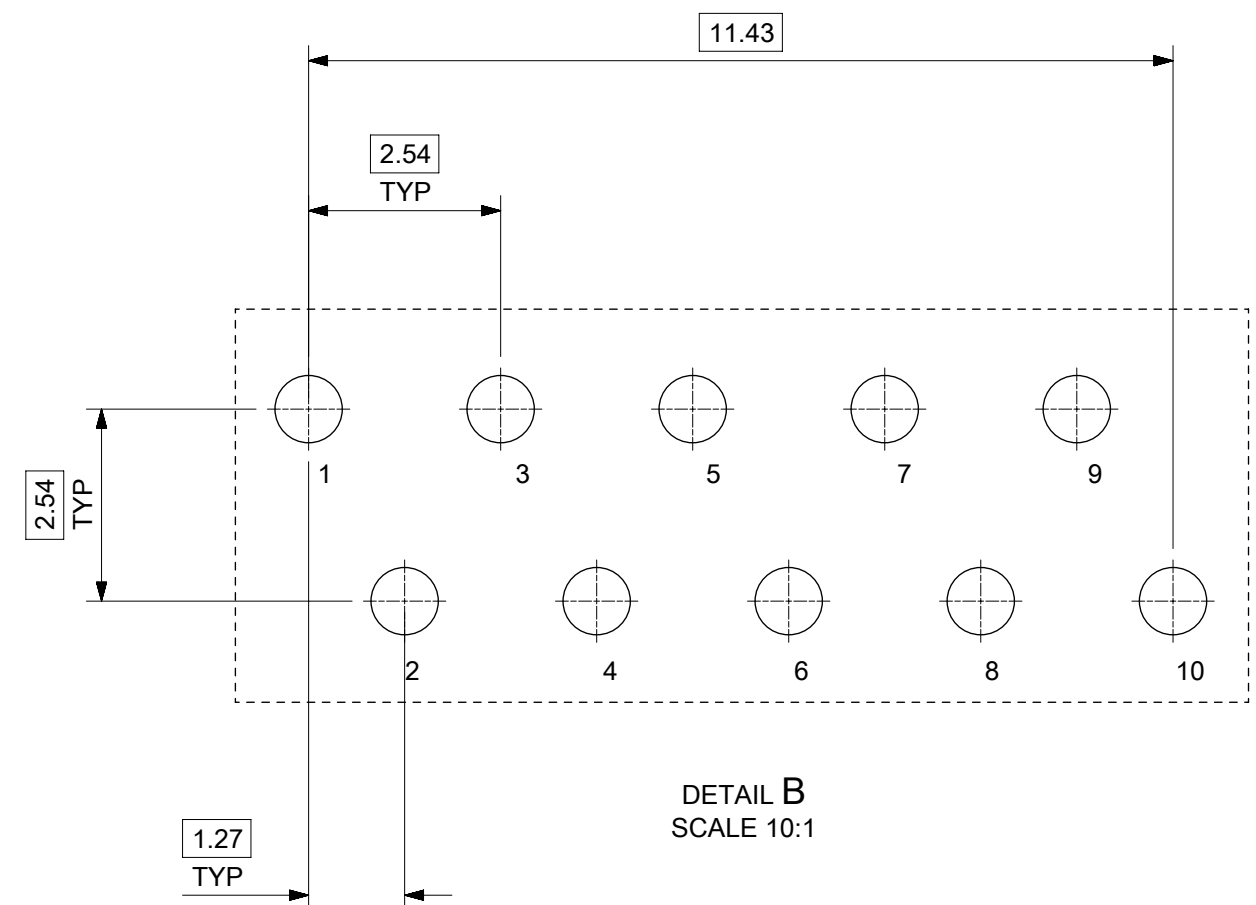
SUGGESTED PANEL CUT-OUT

- NOTES:
- SHIELD MATERIAL: 0.17 mm THICK BRASS PRE-PLATED WITH NICKEL
SOLDER TABS POST DIPPED WITH MIN 1.27 µm TIN
 - HOUSING MATERIAL: LCP, BLACK, UL 94V-0
 - TERMINALS MATERIAL: PHOSPHOR BRONZE
RJ45 CONTACTS PLATING: BASE NICKEL PLATED WITH GOLD
FLASH OVER PALLADIUM NICKEL. REFER TO 934620001 PSP
PHY SOLDER TAILS: COPPER ALLOY
 - MATING INTERFACE ACCORDING TO IEC 60603-7 & TIA-1096-A
 - PRODUCT SPECIFICATION: 934620001 PSP
 - PACKAGING SPECIFICATION: 934620001 PSK TRAY
 - STAND OFF TO SYSTEM BOARD 0.30 mm MIN
 - RECOMMENDED PCB THICKNESS: 1.57 mm
 - SHIELD: AVOID ROUTING TRACES
OR PLACING ANY VIAS BELOW THESE AREAS
 - AREA FOR PICK AND PLACE: 5.0 mm X 8.0 mm
 - INSCRIPTION MARKED BY LASER:
1st : MOLEX
2nd : P/N (SEE BOM)
 - INSCRIPTION MARKED BY LASER:
DATE CODE(DAY/WEEK/YEAR)
 - MATERIAL COMPLIANT TO RoHS DIRECTIVE 2002/95/EC

THIS DRAWING CONTAINS INFORMATION THAT IS PROPRIETARY TO MOLEX ELECTRONIC TECHNOLOGIES, LLC AND SHOULD NOT BE USED WITHOUT WRITTEN PERMISSION		GENERAL TOLERANCES (UNLESS SPECIFIED)		DIMENSION UNITS	SCALE	molex		
mm		3:1		DRWN BY DATE				
REVISED EC NO: 116686 DRWN: KREILLY CHKD: DSHEA APP: DBYRNES	2017/05/09	ANGULAR TOL ± 2.0 °		KREILLY 2015/08/31		INV PRO MX MAG 8 CORE GIG W/LED W/EMI		
	2017/09/12	4 PLACES ±	CHK'D BY DATE					
	2017/09/26	3 PLACES ±	DBYRNES 2017/02/22		PRODUCT CUSTOMER DRAWING			
		2 PLACES ± 0.1	APPR BY DATE					
		1 PLACE ± 0.2	STGRIFFIN 2015/11/20		SERIES	MATERIAL NUMBER	CUSTOMER	
	0 PLACES ±	DRAFT WHERE APPLICABLE MUST REMAIN WITHIN DIMENSIONS		A2	THIRD ANGLE PROJECTION	93627	SEE TABLE ON SHEET 2	GENERAL MARKET
DOCUMENT NUMBER		DOC TYPE		DOC PART		SHEET NUMBER		
936270003		PSD		000		1 OF 3		



SUGGESTED BOARD LAYOUT
GIGABIT VERSION
COMPONENT SIDE
ALL DIMS REFERENCE DIMS

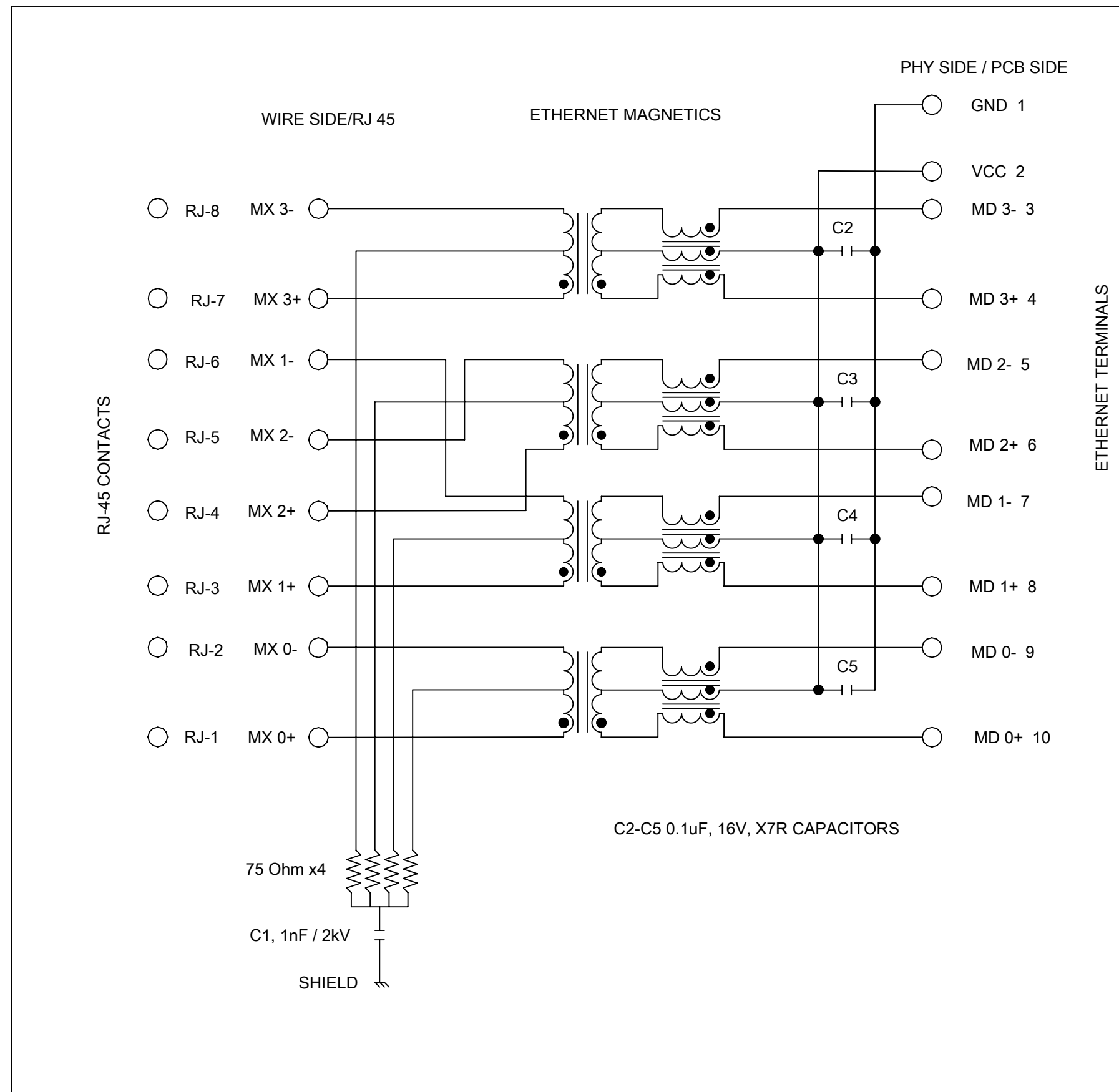


DETAIL B
SCALE 10:1
PIN CONFIGURATION
FOR GIGABIT VERSION

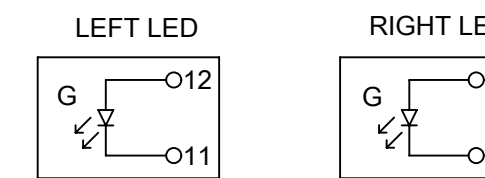
PART NUMBER	LEFT LED	RIGHT LED
93627-3601	GREEN	GREEN
93627-3606	GREEN	YELLOW
93627-3608	GREEN/YELLOW	GREEN/YELLOW

THIS DRAWING CONTAINS INFORMATION THAT IS PROPRIETARY TO MOLEX ELECTRONIC TECHNOLOGIES, LLC AND SHOULD NOT BE USED WITHOUT WRITTEN PERMISSION

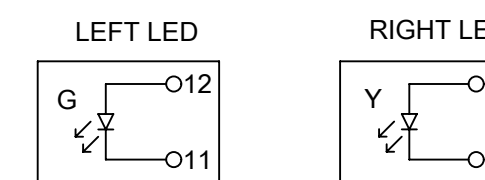
REVISED EC NO: 116686 DRWN: KREILLY CHKD: DSHEA REV APPR: DBYRNES	2017/05/09	2017/09/12	2017/09/26	GENERAL TOLERANCES (UNLESS SPECIFIED) DIMENSION UNITS: mm SCALE: 5:1 ANGULAR TOL ± 2.0 ° DRAFT WHERE APPLICABLE MUST REMAIN WITHIN DIMENSIONS	DRWN BY: KREILLY DATE: 2015/08/31 CHK'D BY: DBYRNES DATE: 2017/02/22 APPR BY: STGRIFFIN DATE: 2015/11/20 DRAWING SIZE: A2 THIRD ANGLE PROJECTION				INV PRO MX MAG 8 CORE GIG W/LED W/EMI		
	PRODUCT CUSTOMER DRAWING										
	SERIES: 93627 MATERIAL NUMBER: SEE TABLE CUSTOMER: GENERAL MARKET					DOCUMENT NUMBER: 936270003 DOC TYPE: PSD DOC PART: 000 SHEET NUMBER: 2 OF 3					
	RELEASE STATUS: P1 RELEASE DATE: 26.09.2017 10:55:49					DIMENSION UNITS: mm SCALE: 5:1			DIMENSION UNITS: mm SCALE: 5:1		
	C					A2			A2		



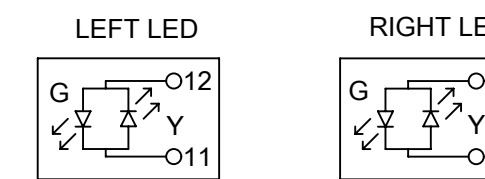
Description	Value	
OCL @100 kHz, 0.1 V 8 mA DC bias (0°C to +70°C)	350 μH min.	
Turns ratio	1CT:1CT	
Transmission characteristics @ 25°C, all four pairs		
Insertion Loss		
Frequency f, (MHz)	Limits (dB max.)	Typical Values (dB max.)
1.0-9.9	0.4+0.1*log(f)	0.5 @ 10 MHz
10-49.9	0.5+0.3*log(f/10)	0.7 @ 50 MHz
50-79.9	1+1.4*log(f/80)	1.0 @ 80 MHz
80-100	1.3+3*log(f/100)	1.3 @ 100 MHz
Return Loss		
Frequency f, (MHz)	Limits (dB min.)	Typical Values (dB min.)
1.0-39.9	18	18 @ 40 MHz
40-100	12-20*log(f/80)	10 @ 100 MHz
CMR		
Frequency f, (MHz)	Limits (dB min.)	Typical Values (dB min.)
1.0-100	30	30 @ 100 MHz
Next		
Frequency f, (MHz)	Limits (dB min.)	Typical Values (dB min.)
1.0-39.9	35	35 @ 40 MHz
40-100	33-20*log(f/50)	27 @ 100 MHz
Isolation PHY to wire side	2.25 kVDC/60sec	



93627-3601



93627-3606



BICOLOUR OPTION

BICOLOUR OPTION

93627-3608

THIS DRAWING CONTAINS INFORMATION THAT IS PROPRIETARY TO MOLEX ELECTRONIC TECHNOLOGIES, LLC AND SHOULD NOT BE USED WITHOUT WRITTEN PERMISSION

REVISED EC NO: 116686 DRWN: KREILLY CHKD: DSHEA REV APPR: DBYRNES	2017/05/09	2017/09/12	2017/09/26	GENERAL TOLERANCES (UNLESS SPECIFIED)	DIMENSION UNITS	SCALE		
				ANGULAR TOL ± 2.0 °	mm	1:1		INV PRO MX MAG 8 CORE GIG W/LED W/EMI
				4 PLACES ±	DRWN BY	DATE		
				3 PLACES ±	KREILLY	2015/08/31		
				2 PLACES ± 0.1	CHK'D BY	DATE		
			1 PLACE ± 0.2	DBYRNES	2017/02/22			
			0 PLACES ±	APPR BY	DATE			
				STGRIFFIN	2015/11/20			
				DRAFT WHERE APPLICABLE MUST REMAIN WITHIN DIMENSIONS	DRAWING SIZE	THIRD ANGLE PROJECTION	PRODUCT CUSTOMER DRAWING	
					A2		SERIES	
							93627	
							MATERIAL NUMBER	
							SEE TABLE ON SHEET 2	
							CUSTOMER	
							GENERAL MARKET	
							DOCUMENT NUMBER	
							936270003	
							DOC TYPE	
							PSD	
							DOC PART	
							000	
							SHEET NUMBER	
							3 OF 3	