



Chipsmall Limited consists of a professional team with an average of over 10 year of expertise in the distribution of electronic components. Based in Hongkong, we have already established firm and mutual-benefit business relationships with customers from,Europe,America and south Asia,supplying obsolete and hard-to-find components to meet their specific needs.

With the principle of “Quality Parts,Customers Priority,Honest Operation,and Considerate Service”,our business mainly focus on the distribution of electronic components. Line cards we deal with include Microchip,ALPS,ROHM,Xilinx,Pulse,ON,Everlight and Freescale. Main products comprise IC,Modules,Potentiometer,IC Socket,Relay,Connector.Our parts cover such applications as commercial,industrial, and automotives areas.

We are looking forward to setting up business relationship with you and hope to provide you with the best service and solution. Let us make a better world for our industry!



Contact us

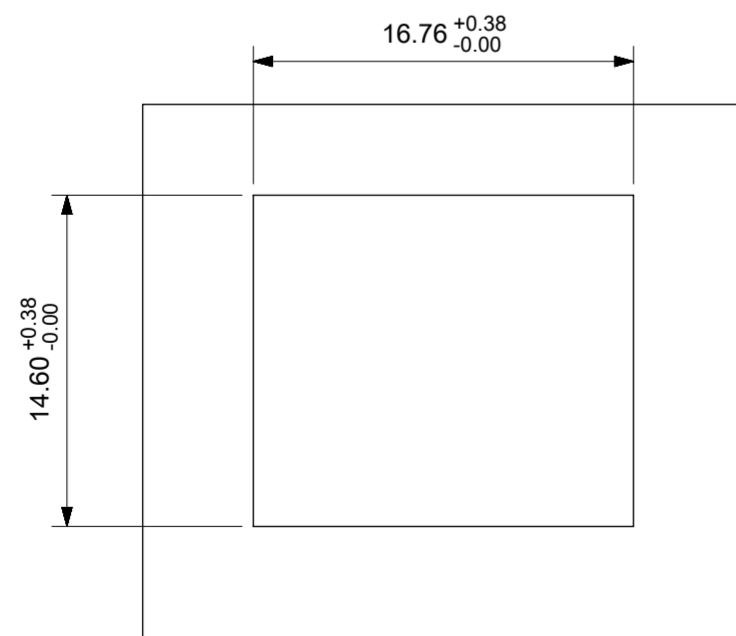
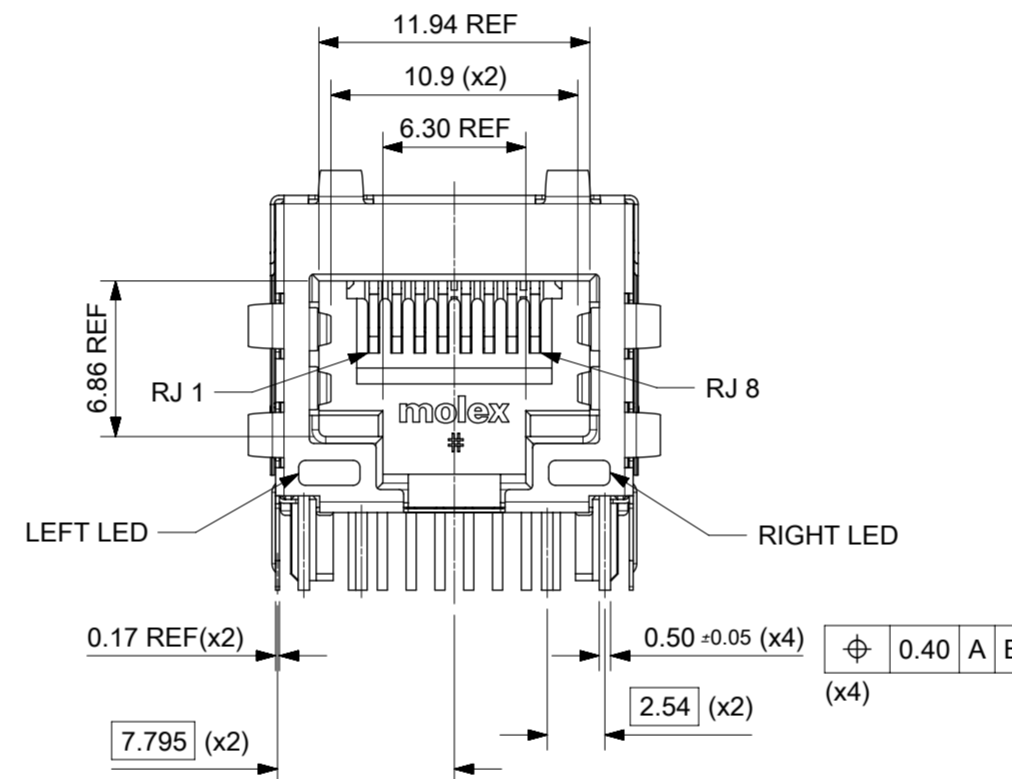
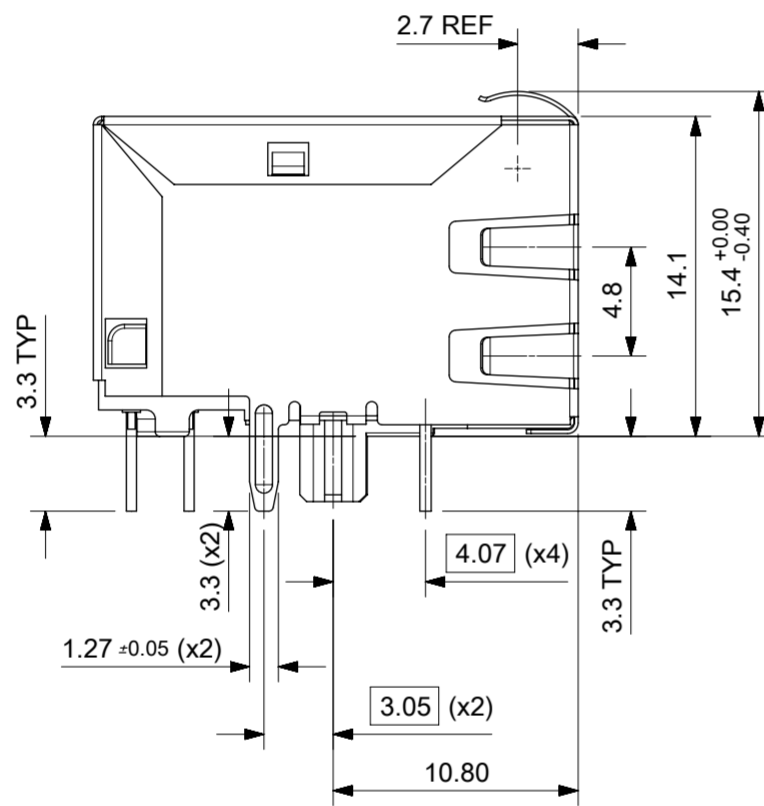
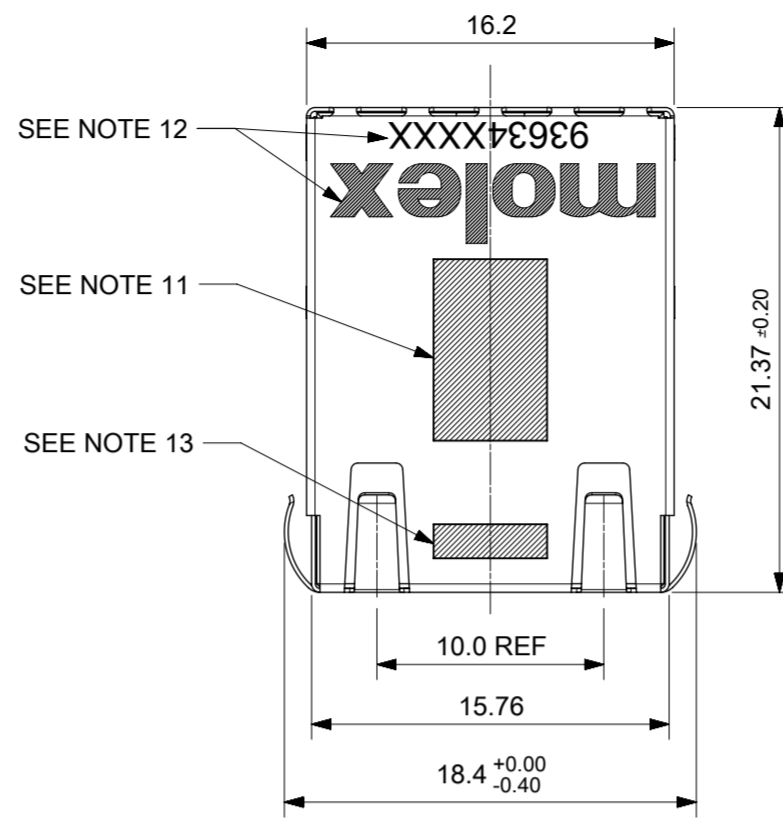
Tel: +86-755-8981 8866 Fax: +86-755-8427 6832

Email & Skype: info@chipsmall.com Web: www.chipsmall.com

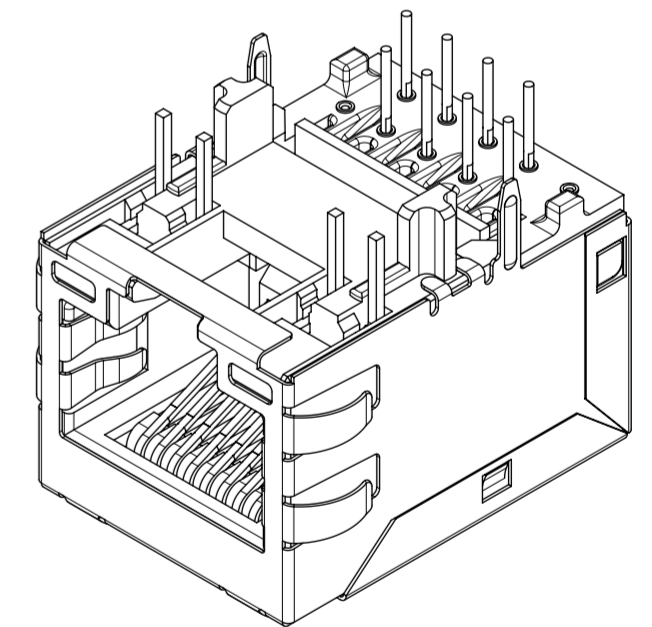
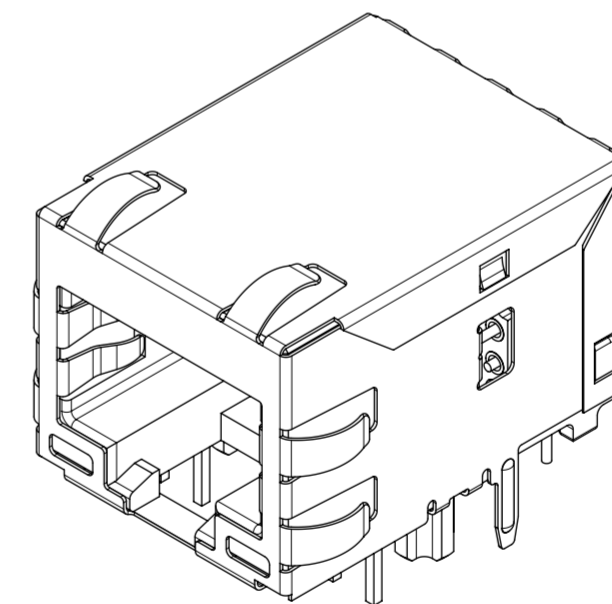
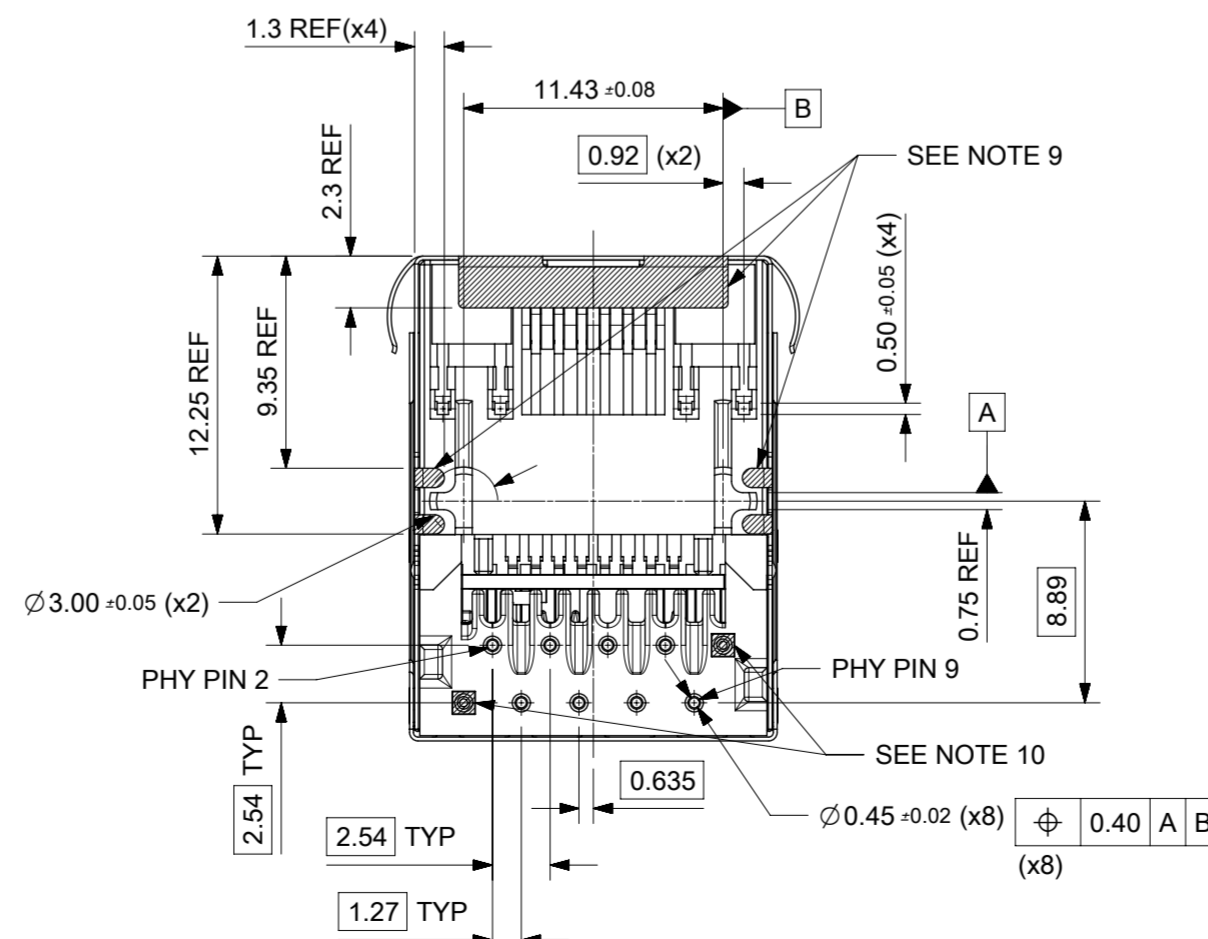
Address: A1208, Overseas Decoration Building, #122 Zhenhua RD., Futian, Shenzhen, China



STANDARD PROFILE MAGNETIC JACK
FAST ETHERNET W/ LEDS
AND W/ SHIELD TABS TOP AND SIDE

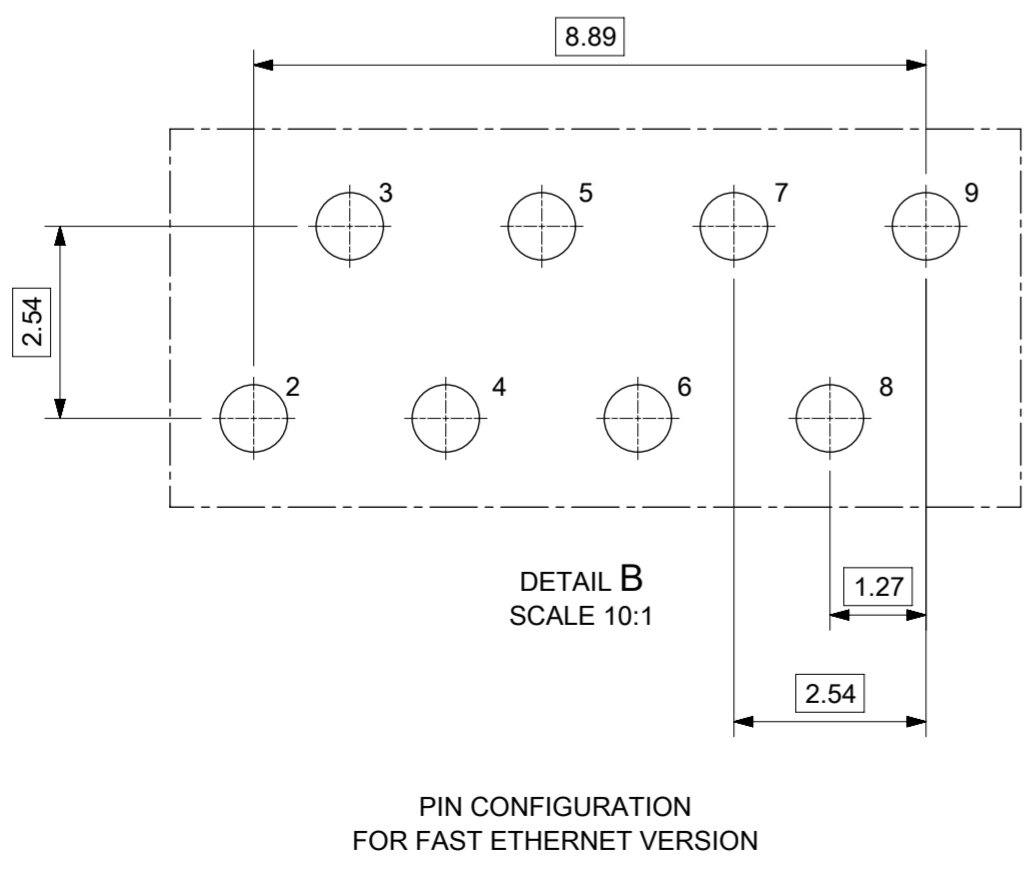
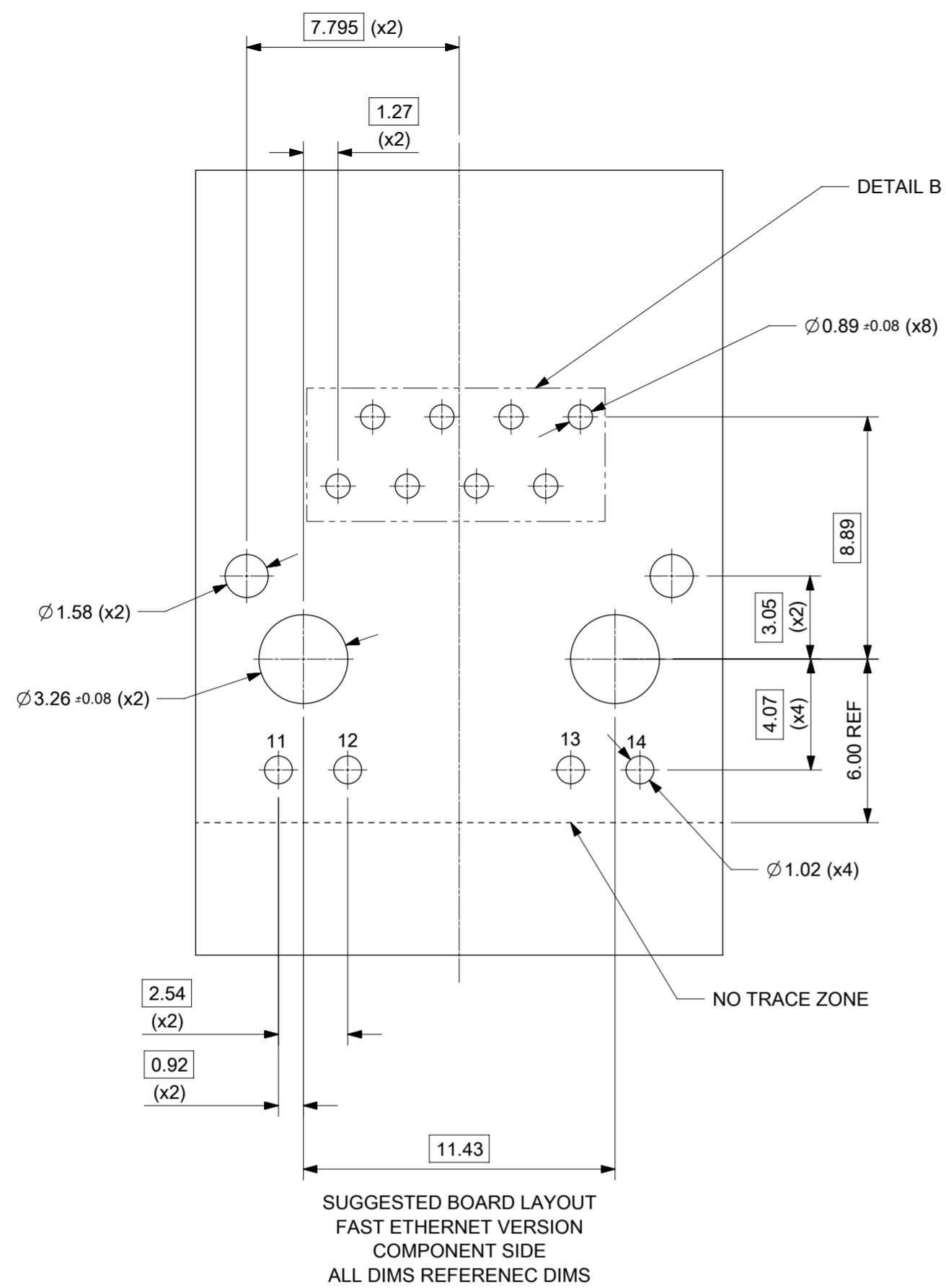


SUGGESTED PANEL CUT-OUT



- NOTES:
- SHIELD MATERIAL: 0.17mm THICK BRASS PRE-PLATED WITH NICKEL
SOLDER TABS POST DIPPED WITH MIN. 1.27µm TIN
 - HOUSING MATERIAL: LCP, BLACK, UL 94V-0
 - TERMINAL MATERIAL: PHOSPHOR BRONZE
RJ45 CONTACTS PLATING: BASE NICKEL PLATED WITH GOLD
FLASH OVER PALLADIUM NICKEL. REFER TO 934620001 PSP
PHY SOLDER TAILS: COPPER ALLOY
 - MATING INTERFACE ACCORDING TO IEC 60603-7 & TIA-1096-A
 - PRODUCT SPECIFICATION: 934620001 PSP
 - PACKAGING SPECIFICATION: 934620001 PSK TRAY
 - STAND OFF TO SYSTEM BOARD 0.30mm MINIMUM
 - RECOMMENDED PCB THICKNESS: 1.57mm
 - SHIELD: AVOID ROUTING TRACES
OR PLACING ANY VIAS BELOW THESE AREAS
 - PIN NOT ASSEMBLED
 - AREA FOR PICK AND PLACE: 5.0mm X 8.0mm
 - INSCRIPTION MARKED BY LASER:
1st : MOLEX
2nd : P/N (SEE BOM)
 - DATE CODE (DAY/WEEK/YEAR)
 - MATERIAL COMPLIANT TO RoHS DIRECTIVE 2002/95/EC

THIS DRAWING CONTAINS INFORMATION THAT IS PROPRIETARY TO MOLEX ELECTRONIC TECHNOLOGIES, LLC AND SHOULD NOT BE USED WITHOUT WRITTEN PERMISSION		GENERAL TOLERANCES (UNLESS SPECIFIED)		DIMENSION UNITS	SCALE	molex				
				MM	3:1				STD MXMAG 6 CORE FE W/ LEDS & W/ SHIELD TABS	
REVISED	2017/03/15	2017/04/14	2017/04/25	ANGULAR TOL ± 2.0 °		PRODUCT CUSTOMER DRAWING				
	4 PLACES	±		KREILLY		DATE 2015/09/30				
	3 PLACES	±		CHK'D BY		DATE 2016/09/19				
	2 PLACES	±	0.1	DBYRNES		DATE 2016/10/07				
	1 PLACE	±	0.2	APPR BY		DATE 2016/10/07				
0 PLACES	±		STGRIFFIN		DATE 2016/10/07					
EC NO: 114553	DRWN: DSHEA	CHKD: DBYRNES	APPR: STGRIFFIN	DRAFT WHERE APPLICABLE MUST REMAIN WITHIN DIMENSIONS		DRAWING SIZE	THIRD ANGLE PROJECTION	SERIES	MATERIAL NUMBER	CUSTOMER
C				A2		A2	THIRD ANGLE PROJECTION	93634	SEE CHART	GENERAL MARKET
						DOCUMENT NUMBER	DOC TYPE	DOC PART	SHEET NUMBER	
						936340001	PSD	000	1 OF 3	



PART NUMBER	LEFT LED	RIGHT LED
93634-3206	GREEN	YELLOW
93634-3205	GREEN	GREEN/YELLOW

THIS DRAWING CONTAINS INFORMATION THAT IS PROPRIETARY TO MOLEX ELECTRONIC TECHNOLOGIES, LLC AND SHOULD NOT BE USED WITHOUT WRITTEN PERMISSION

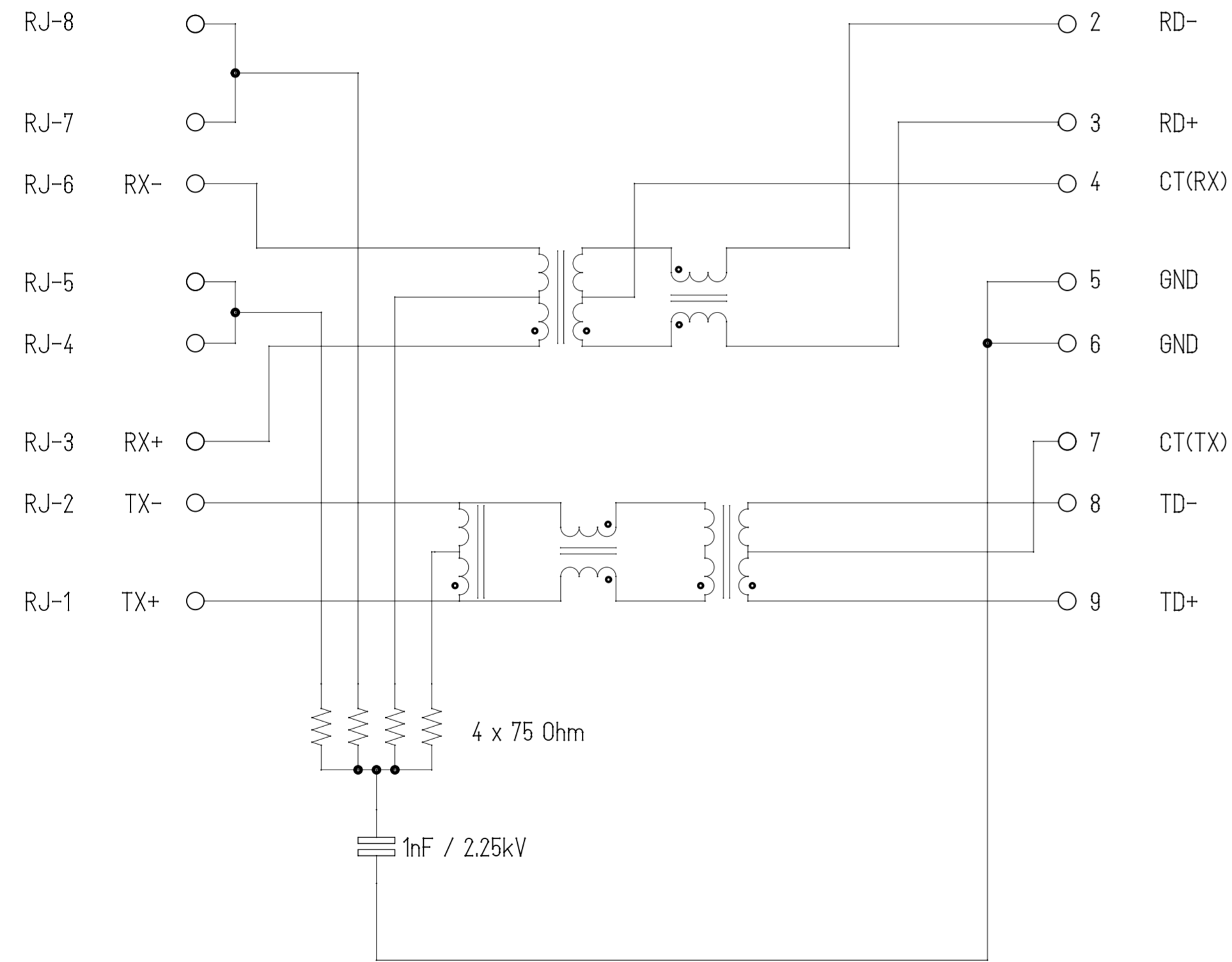
EC NO: 114553 DRWN: DSHEA CHKD: DBYRNES APPR: STGRIFFIN	REVISED 2017/03/15 2017/04/14 2017/04/25	GENERAL TOLERANCES (UNLESS SPECIFIED) ANGULAR TOL ± 2.0 °	DIMENSION UNITS MM	SCALE 5:1	
	4 PLACES ± 3 PLACES ± 2 PLACES ± 0.1 1 PLACE ± 0.2 0 PLACES ±	DRAFT WHERE APPLICABLE MUST REMAIN WITHIN DIMENSIONS	DRWN BY KREILLY	DATE 2015/09/30	
	DRAFT WHERE APPLICABLE MUST REMAIN WITHIN DIMENSIONS	DRWN BY STGRIFFIN	DATE 2016/10/07	PRODUCT CUSTOMER DRAWING	
	DRAWING SIZE A2	THIRD ANGLE PROJECTION	SERIES 93634	MATERIAL NUMBER SEE CHART	CUSTOMER GENERAL MARKET
	DOCUMENT NUMBER 936340001	DOC TYPE PSD	DOC PART 000	SHEET NUMBER 2 OF 3	

RJ-45 CONTACTS

WIRE-SIDE / RJ-45

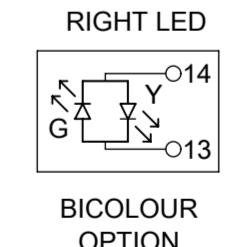
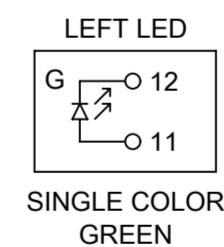
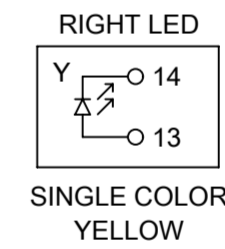
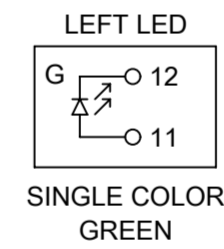
ETHERNET MAGNETICS

PHY-SIDE / PCB SIDE



Description	Value	
OCL @100kHz, 0.1V, 8mA DC bias 0°C to +70°C)	350µH min.	
Turns ratio	1CT:1CT	
Transmission characteristics @ 25°C, all four pairs		
Insertion Loss		
Frequency (MHz)	Limits (dB max.)	Typical Values (dB max.)
1.0-9.9 MHz	0.4+0.1*log(F)	0.5 @ 10MHz
10-49.9 MHz	0.5+0.3*log(F/10)	0.7 @ 50MHz
50-79.9 MHz	1+1.4*log(F/80)	1.0 @ 80MHz
80-100 MHz	1.3+3*log(F/100)	1.3 @ 100MHz
Return Loss		
Frequency (MHz)	Limits (dB min.)	Typical Values (dB min.)
1.0-39.9 MHz	18	18 @ 40MHz
40-100 MHz	12-20*log(F/80)	10 @ 100MHz
CMR		
Frequency (MHz)	Limits (dB min.)	Typical Values (dB min.)
1.0-100MHz	30	30 @ 100MHz
Next		
Frequency (MHz)	Limits (dB min.)	Typical Values (dB min.)
1.0-39.9MHz	35	35 @ 40MHz
40-100MHz	33-20*log(F/50)	27 @ 100MHz
Isolation PHY to wire side	2.25kVDC/60sec	

ETHERNET TERMINALS



Shield

THIS DRAWING CONTAINS INFORMATION THAT IS PROPRIETARY TO MOLEX ELECTRONIC TECHNOLOGIES, LLC AND SHOULD NOT BE USED WITHOUT WRITTEN PERMISSION

EC NO: 114553 DRWN: DSHEA CHKD: DBYRNES APPR: STGRIFFIN	2017/03/15 2017/04/14 2017/04/25	GENERAL TOLERANCES (UNLESS SPECIFIED) DIMENSION UNITS: MM SCALE: 1:1 DRWN BY: KREILLY DATE: 2015/09/30	
	ANGULAR TOL ± 2.0 °	CHK'D BY: DBYRNES DATE: 2016/09/19	
	4 PLACES ± 3 PLACES ± 2 PLACES ± 0.1 1 PLACE ± 0.2 0 PLACES ±	APPR BY: STGRIFFIN DATE: 2016/10/07	
	DRAFT WHERE APPLICABLE MUST REMAIN WITHIN DIMENSIONS	DRAWING SIZE: A2 THIRD ANGLE PROJECTION	
	PRODUCT CUSTOMER DRAWING		
SERIES: 93634 MATERIAL NUMBER: SEE CHART CUSTOMER: GENERAL MARKET			
DOCUMENT NUMBER: 936340001 DOC TYPE: PSD DOC PART: 000 SHEET NUMBER: 3 OF 3			