



Chipsmall Limited consists of a professional team with an average of over 10 year of expertise in the distribution of electronic components. Based in Hongkong, we have already established firm and mutual-benefit business relationships with customers from,Europe,America and south Asia,supplying obsolete and hard-to-find components to meet their specific needs.

With the principle of “Quality Parts,Customers Priority,Honest Operation,and Considerate Service”,our business mainly focus on the distribution of electronic components. Line cards we deal with include Microchip,ALPS,ROHM,Xilinx,Pulse,ON,Everlight and Freescale. Main products comprise IC,Modules,Potentiometer,IC Socket,Relay,Connector.Our parts cover such applications as commercial,industrial, and automotives areas.

We are looking forward to setting up business relationship with you and hope to provide you with the best service and solution. Let us make a better world for our industry!



Contact us

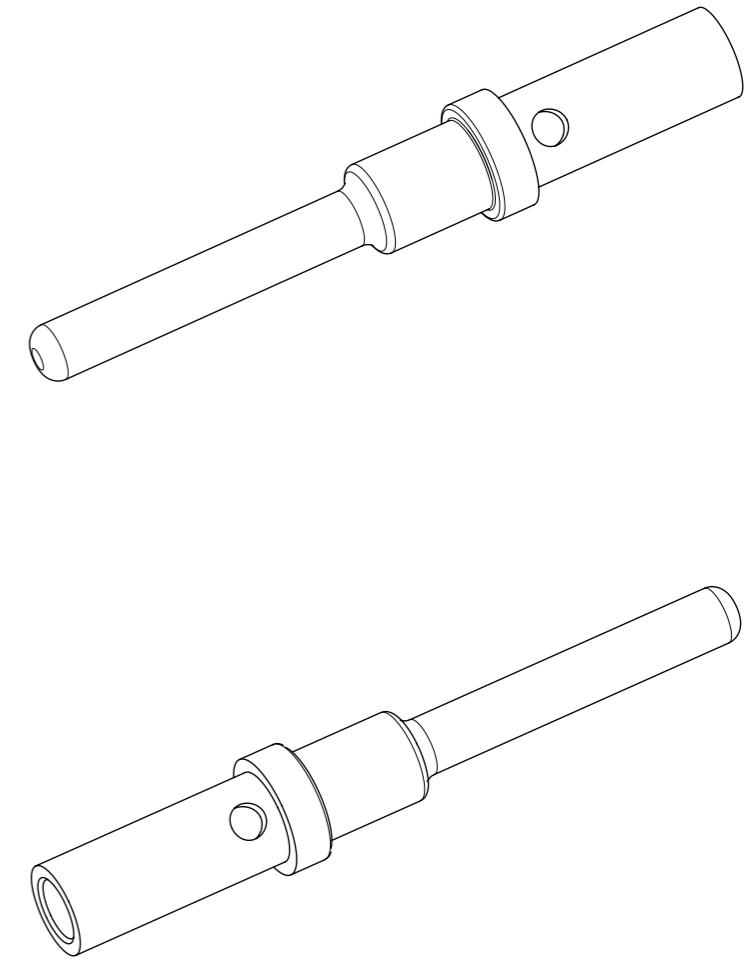
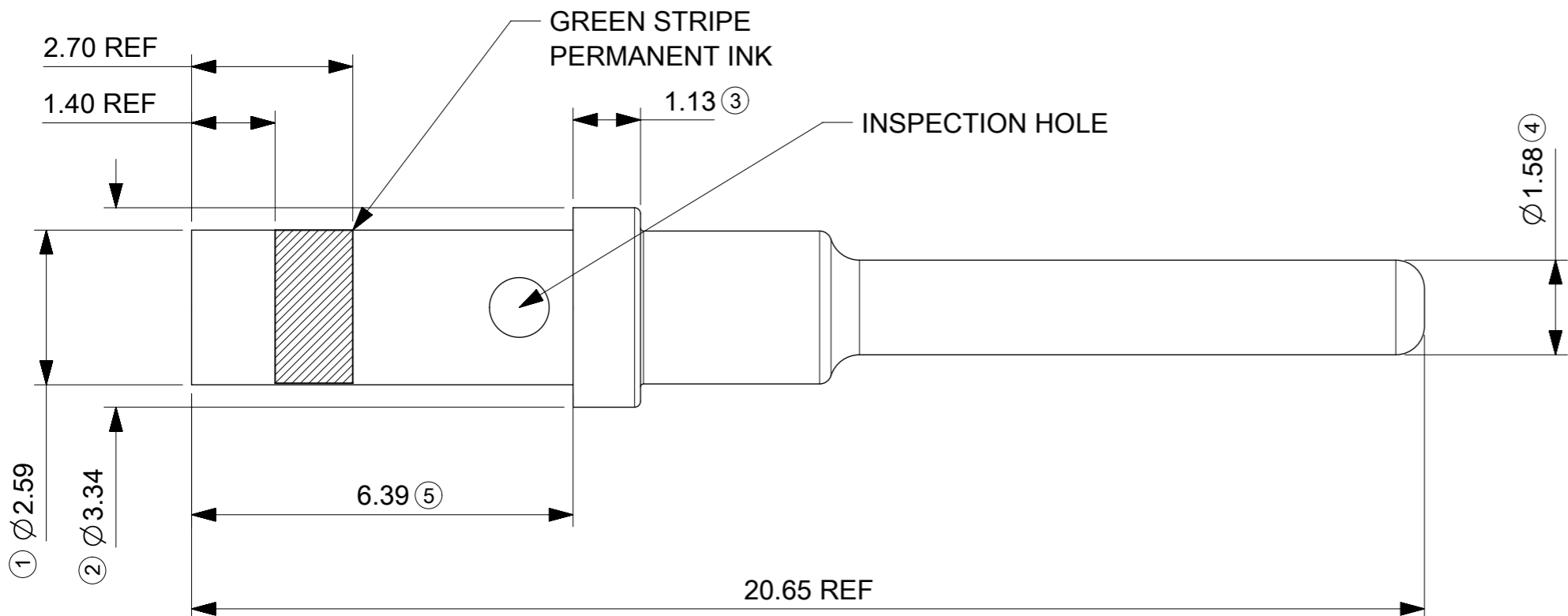
Tel: +86-755-8981 8866 Fax: +86-755-8427 6832

Email & Skype: info@chipsmall.com Web: www.chipsmall.com

Address: A1208, Overseas Decoration Building, #122 Zhenhua RD., Futian, Shenzhen, China



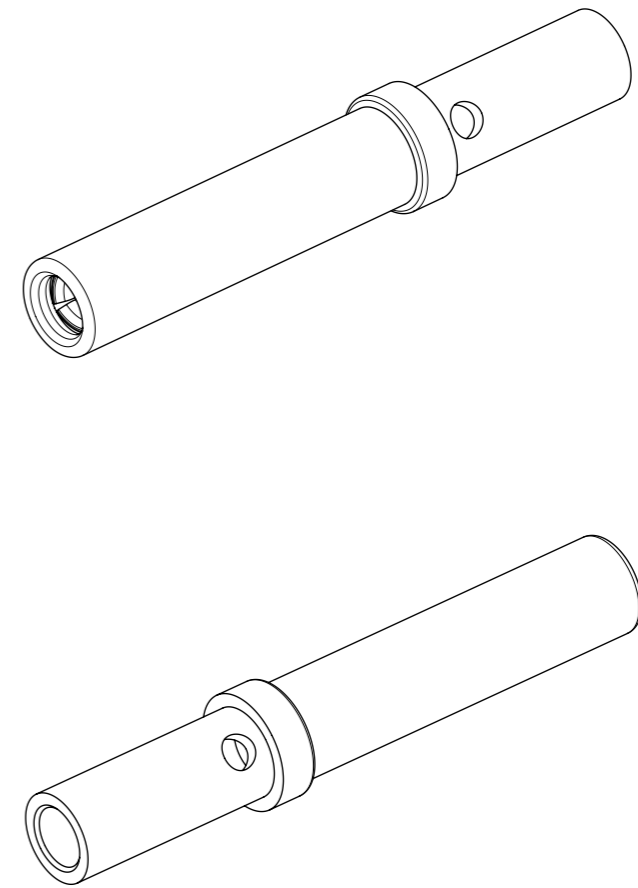
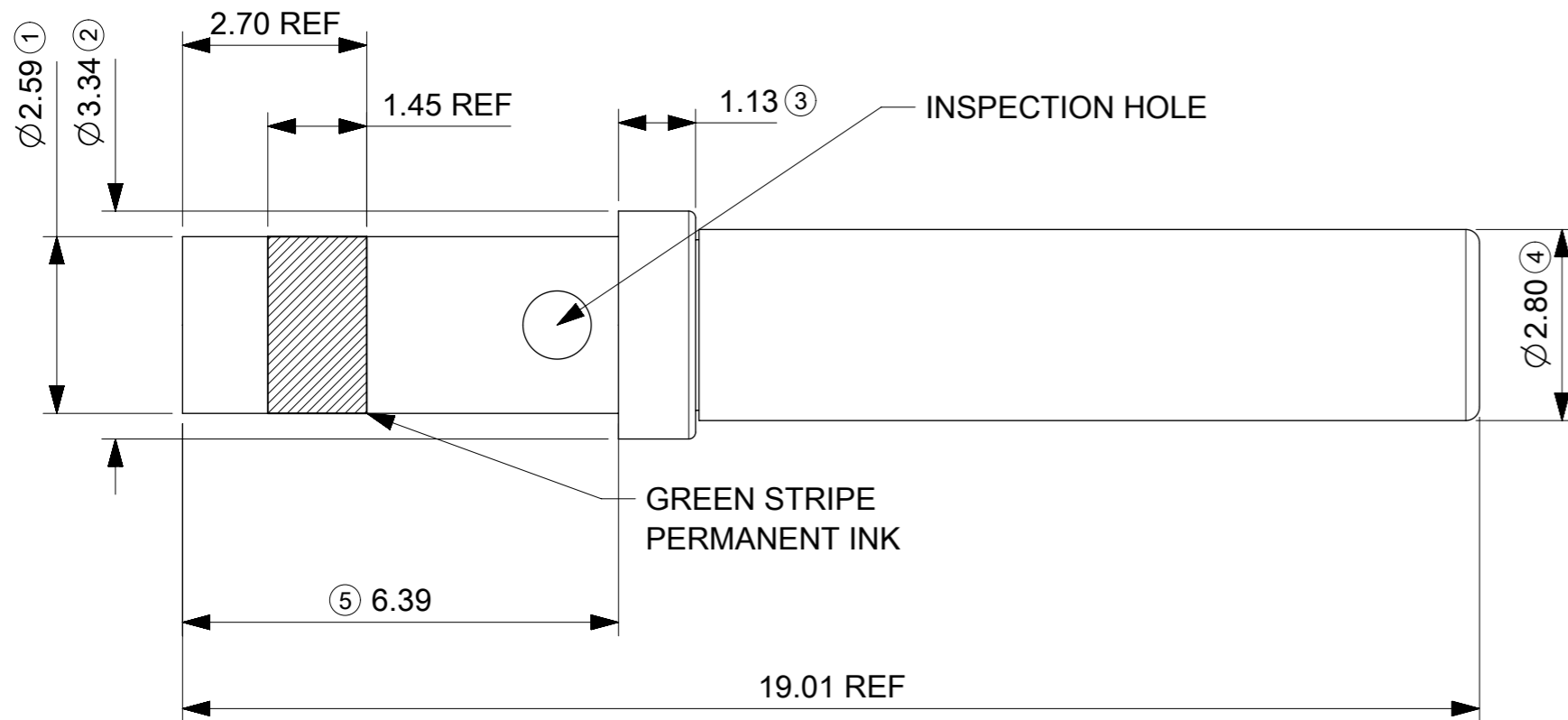
PART NUMBER	DESCRIPTION	GREEN STRIPE	PLATING OPTION
936400022	14AWG	YES	1
936400024	14AWG	YES	2
936400012	16-20AWG	NO	1
936400014	16-20AWG	NO	2



- NOTES:
- MATERIAL
COPPER ALLOY TERMINAL
 - FINISH
OPTION 1: NICKEL ALLOVER
OPTION 2: GOLD OVER NICKEL ALLOVER
 - REFER TO 936400010 PSK FOR PACKAGING INFORMATION.
 - REFER TO 936400010 PSP FOR PRODUCT SPECIFICATION.
 - CRIMP TOOL DATA:
PLEASE CONTACT MOLEX PERSONNEL.
 - REFER TO 934430010 PSA FOR CRIMPING INFORMATION.
 - TERMINALS ARE RoHS AND REACH COMPLIANT.
 - LAST INSPECTION No. 5

SYMBOLS	THIS DRAWING CONTAINS INFORMATION THAT IS PROPRIETARY TO MOLEX ELECTRONIC TECHNOLOGIES, LLC AND SHOULD NOT BE USED WITHOUT WRITTEN PERMISSION	
DIMENSION UNITS	SCALE	CURRENT REV DESC: SEE LONG TEXT
$\nabla = 0$	mm	1:1
$\nabla = 0$	GENERAL TOLERANCES (UNLESS SPECIFIED)	
$\nabla = 0$	ANGULAR TOL \pm °	
$\nabla = 0$	4 PLACES \pm	EC NO: 172329
$\nabla = 0$	3 PLACES \pm	DRWN: JFLETCHER 2018/02/20
$\nabla = 0$	2 PLACES ± 0.1	CHK'D: JDWALLACE 2018/03/02
$\nabla = 0$	1 PLACE ± 0.2	APPR: IOCONNELL 2018/03/09
$\nabla = 0$	0 PLACES \pm	INITIAL REVISION:
$\nabla = 0$	DRAFT WHERE APPLICABLE MUST REMAIN WITHIN DIMENSIONS	DRWN: FDUGGAN 2017/02/20
$\nabla = 0$	THIRD ANGLE PROJECTION	APPR: JDWALLACE 2017/08/25
	DRAWING	SERIES
	A3-SIZE	93640
	MATERIAL NUMBER	CUSTOMER
	SEE CHART	GENERAL MARKET
	DOCUMENT NUMBER	DOC TYPE DOC PART REVISION
	936400010	PSD 000 A1
	SHEET NUMBER	1 OF 1

PART NUMBER	DESCRIPTION	GREEN STRIPE	PLATING OPTION
936410022	14AWG	YES	1
936410024	14AWG	YES	2
936410012	16-20AWG	NO	1
936410014	16-20AWG	NO	2



- NOTES:
- MATERIAL
COPPER ALLOY TERMINAL
STAINLESS STEEL HOOD
 - FINISH
OPTION 1: NICKEL ALLOVER
OPTION 2: GOLD OVER NICKEL ALLOVER
 - REFER TO 936400010 PSK FOR PACKAGING INFORMATION.
 - REFER TO 936400010 PSP FOR PRODUCT SPECIFICATION.
 - CRIMP TOOL DATA:
PLEASE CONTACT MOLEX PERSONNEL.
 - REFER TO 934430010 PSA FOR CRIMPING INFORMATION.
 - TERMINALS ARE RoHS & REACH COMPLIANT.
 - LAST INSPECTION No. 5

SYMBOLS	THIS DRAWING CONTAINS INFORMATION THAT IS PROPRIETARY TO MOLEX ELECTRONIC TECHNOLOGIES, LLC AND SHOULD NOT BE USED WITHOUT WRITTEN PERMISSION	
DIMENSION UNITS	SCALE	CURRENT REV DESC: SEE LONG TEXT
$\nabla = 0$	mm	5:1
$\nabla = 0$	GENERAL TOLERANCES (UNLESS SPECIFIED)	
$\nabla = 0$	ANGULAR TOL \pm °	
$\nabla = 0$	4 PLACES \pm	EC NO: 172329
$\nabla = 0$	3 PLACES \pm	DRWN: JFLETCHER 2018/02/20
$\nabla = 0$	2 PLACES ± 0.1	CHK'D: JDWALLACE 2018/03/02
$\nabla = 0$	1 PLACE ± 0.2	APPR: IOCONNELL 2018/03/09
$\nabla = 0$	0 PLACES \pm	INITIAL REVISION:
$\nabla = 0$	DRAFT WHERE APPLICABLE MUST REMAIN WITHIN DIMENSIONS	DRWN: FDUGGAN 2017/02/16
	THIRD ANGLE PROJECTION	APPR: JDWALLACE 2017/08/25
	DRAWING	SERIES
	A3-SIZE	93640
	MATERIAL NUMBER	CUSTOMER
	SEE CHART	GENERAL MARKET
	DOCUMENT NUMBER	DOC TYPE DOC PART REVISION
	936400020	PSD 000 A1
	SHEET NUMBER	1 OF 1