



Chipsmall Limited consists of a professional team with an average of over 10 year of expertise in the distribution of electronic components. Based in Hongkong, we have already established firm and mutual-benefit business relationships with customers from,Europe,America and south Asia,supplying obsolete and hard-to-find components to meet their specific needs.

With the principle of “Quality Parts,Customers Priority,Honest Operation,and Considerate Service”,our business mainly focus on the distribution of electronic components. Line cards we deal with include Microchip,ALPS,ROHM,Xilinx,Pulse,ON,Everlight and Freescale. Main products comprise IC,Modules,Potentiometer,IC Socket,Relay,Connector.Our parts cover such applications as commercial,industrial, and automotives areas.

We are looking forward to setting up business relationship with you and hope to provide you with the best service and solution. Let us make a better world for our industry!



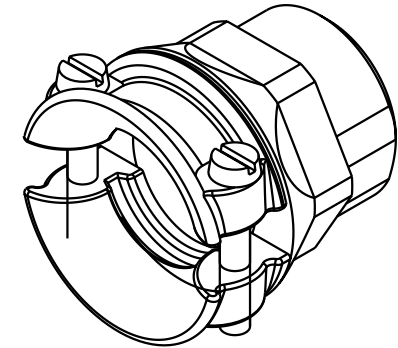
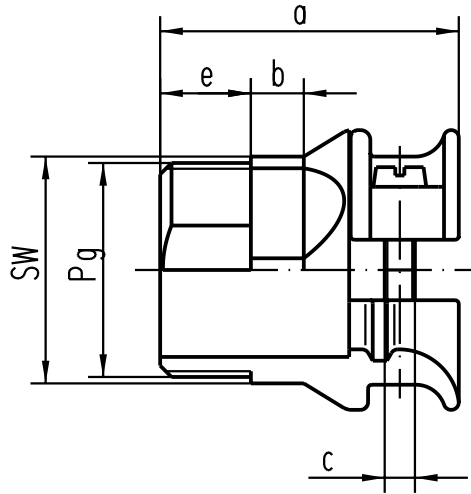
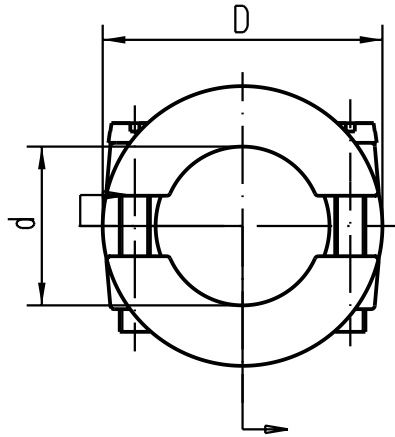
## Contact us

Tel: +86-755-8981 8866 Fax: +86-755-8427 6832

Email & Skype: info@chipsmall.com Web: www.chipsmall.com

Address: A1208, Overseas Decoration Building, #122 Zhenhua RD., Futian, Shenzhen, China





09 37 000 5106	29	41	13	19	29	50	49	8	M5
09 37 000 5104	21	30	12	13,5	21	37	39,5	7	M4
09 37 000 5103	16	24	9,5	10	16	30	33	5	M4
09 37 000 5102	13,5	22	10	9	14	28	31	4	M3
09 37 000 5101	11	19	9	6	11	23	26,6	4	M3
Bestell Nr/ Part No	Pg	SW	e	d min.	d max.	D	a	b	c

	All Dimensions in mm Original Size DIN A 4		Techn. Character.			Nicht tolerierte Masse/ Free size tolerances				
				Dat.	Name	Maßstab/ Scale	<b>Spezial-Kabelverschraubung Metall</b> <i>special cable clamp metal</i> für Han M Gehäuse / for housings Han M			
			Detail.	04.02.93	WILD.	1:1				
			Insp.		HERB.					
			Stand.							
411037	18.05.04	Loe.	HARTING Electric GmbH & Co. KG				<b>TB 09 37 000 510.</b>			Blatt/ page
Mod.	Dat.	Name	D-32339 Espelkamp							