



Chipsmall Limited consists of a professional team with an average of over 10 year of expertise in the distribution of electronic components. Based in Hongkong, we have already established firm and mutual-benefit business relationships with customers from,Europe,America and south Asia,supplying obsolete and hard-to-find components to meet their specific needs.

With the principle of "Quality Parts,Customers Priority,Honest Operation,and Considerate Service",our business mainly focus on the distribution of electronic components. Line cards we deal with include Microchip,ALPS,ROHM,Xilinx,Pulse,ON,Everlight and Freescale. Main products comprise IC,Modules,Potentiometer,IC Socket,Relay,Connector.Our parts cover such applications as commercial,industrial, and automotives areas.

We are looking forward to setting up business relationship with you and hope to provide you with the best service and solution. Let us make a better world for our industry!




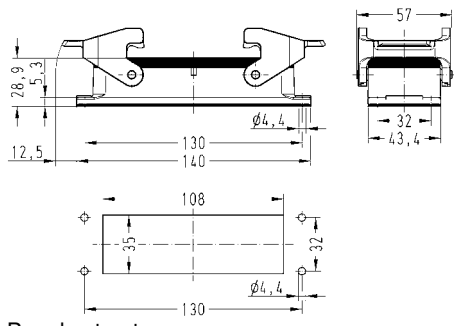

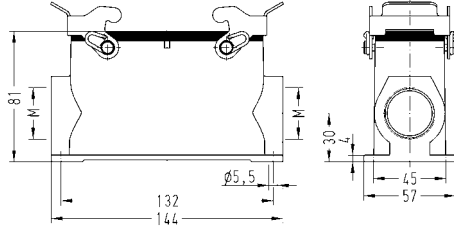

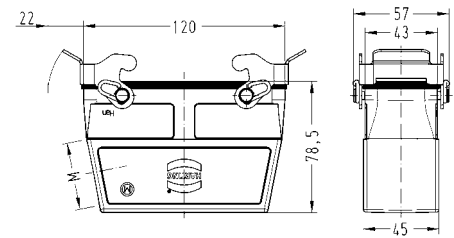

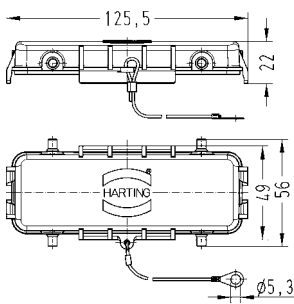
Contact us

Tel: +86-755-8981 8866 Fax: +86-755-8427 6832

Email & Skype: info@chipsmall.com Web: www.chipsmall.com

Address: A1208, Overseas Decoration Building, #122 Zhenhua RD., Futian, Shenzhen, China



Identification	Cable entry	Part number		Drawing Dimensions in mm
		Low construction	High construction	
Han® M, Bulkhead mounted housings 		09 37 024 0301		 <p>Panel cut out</p>
Han® M, Surface mounted housings, side entry 	2xM32		19 37 024 0272	
Han® M, Cable to cable housings, side entry 	1xM40		19 37 024 0733	
Han® M, Protection cover for housings, metal, with securing flex 		09 37 024 5405	09 37 024 5405	

Hoods
Housings