



Chipsmall Limited consists of a professional team with an average of over 10 year of expertise in the distribution of electronic components. Based in Hongkong, we have already established firm and mutual-benefit business relationships with customers from,Europe,America and south Asia,supplying obsolete and hard-to-find components to meet their specific needs.

With the principle of “Quality Parts,Customers Priority,Honest Operation,and Considerate Service”,our business mainly focus on the distribution of electronic components. Line cards we deal with include Microchip,ALPS,ROHM,Xilinx,Pulse,ON,Everlight and Freescale. Main products comprise IC,Modules,Potentiometer,IC Socket,Relay,Connector.Our parts cover such applications as commercial,industrial, and automotives areas.

We are looking forward to setting up business relationship with you and hope to provide you with the best service and solution. Let us make a better world for our industry!



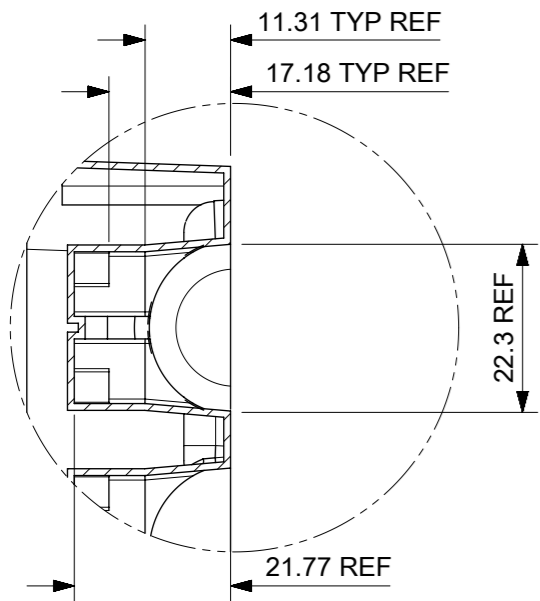
Contact us

Tel: +86-755-8981 8866 Fax: +86-755-8427 6832

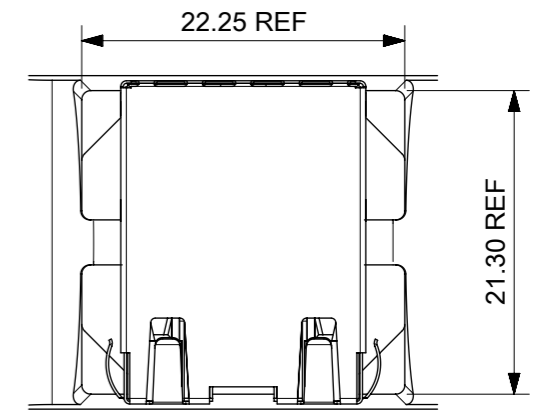
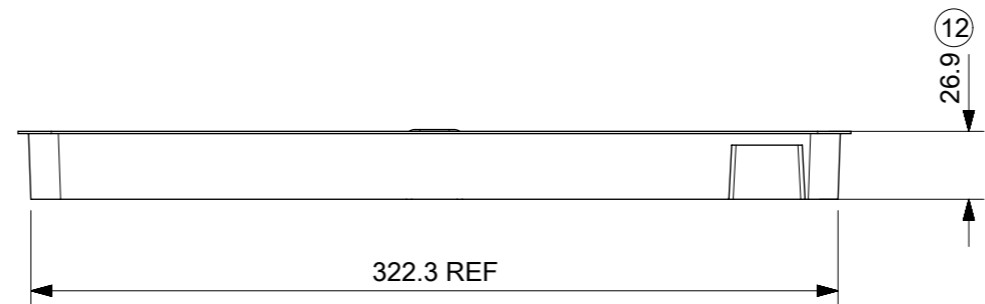
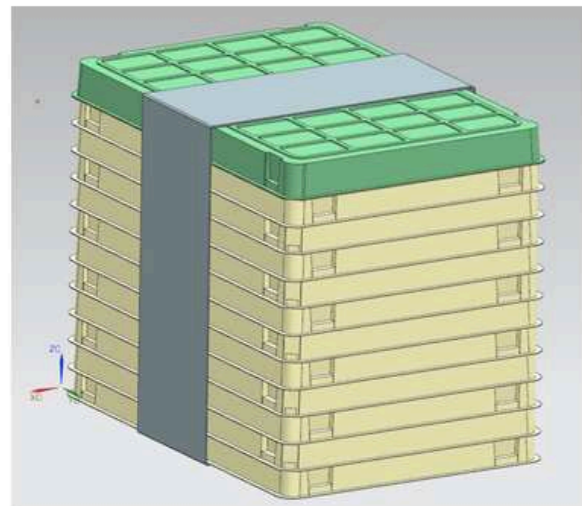
Email & Skype: info@chipsmall.com Web: www.chipsmall.com

Address: A1208, Overseas Decoration Building, #122 Zhenhua RD., Futian, Shenzhen, China

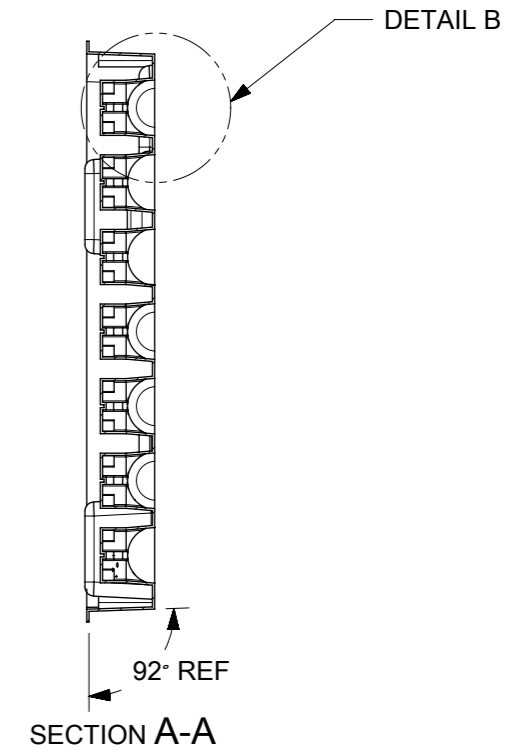
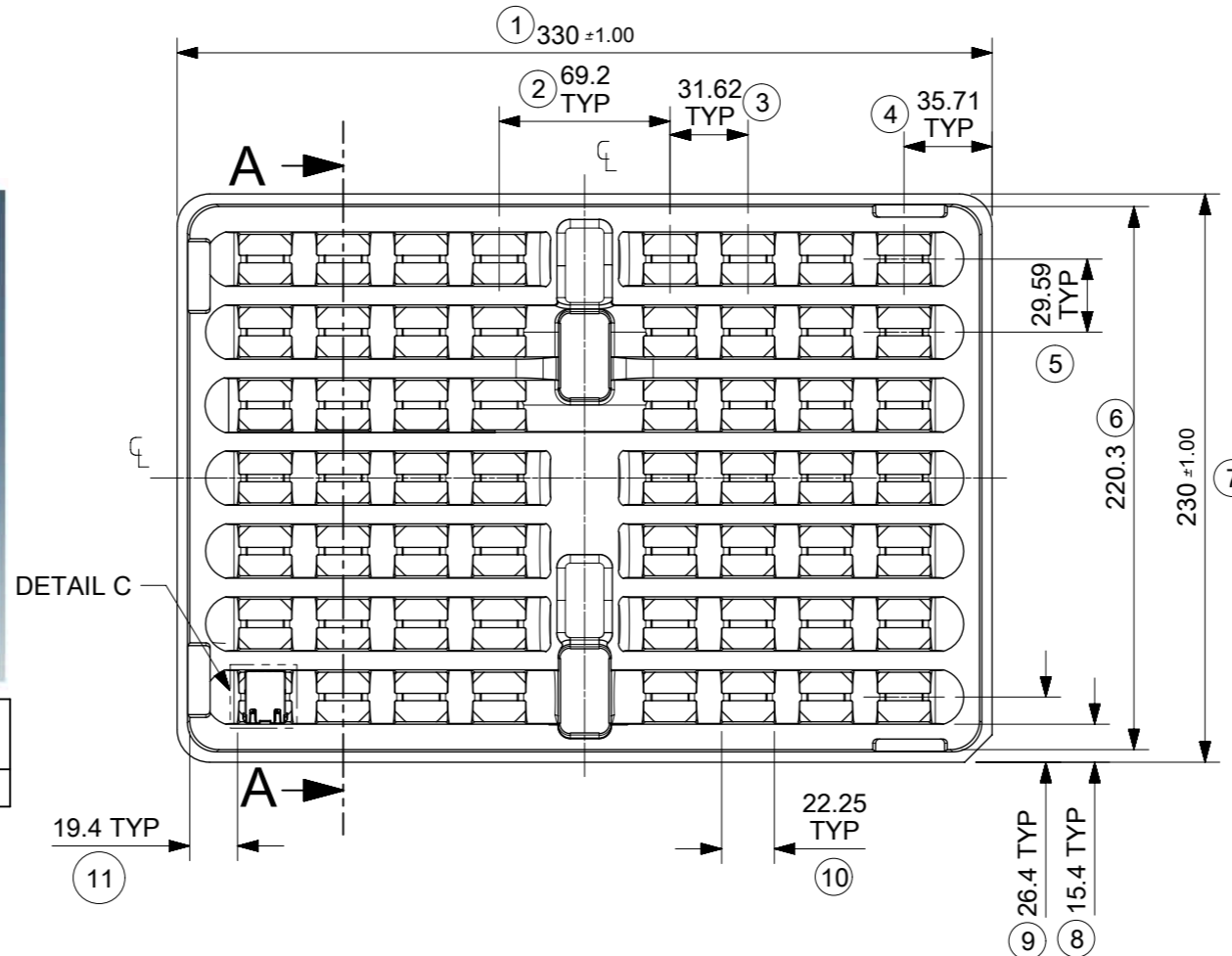




DETAIL B



DETAIL C
SCALE 2:1



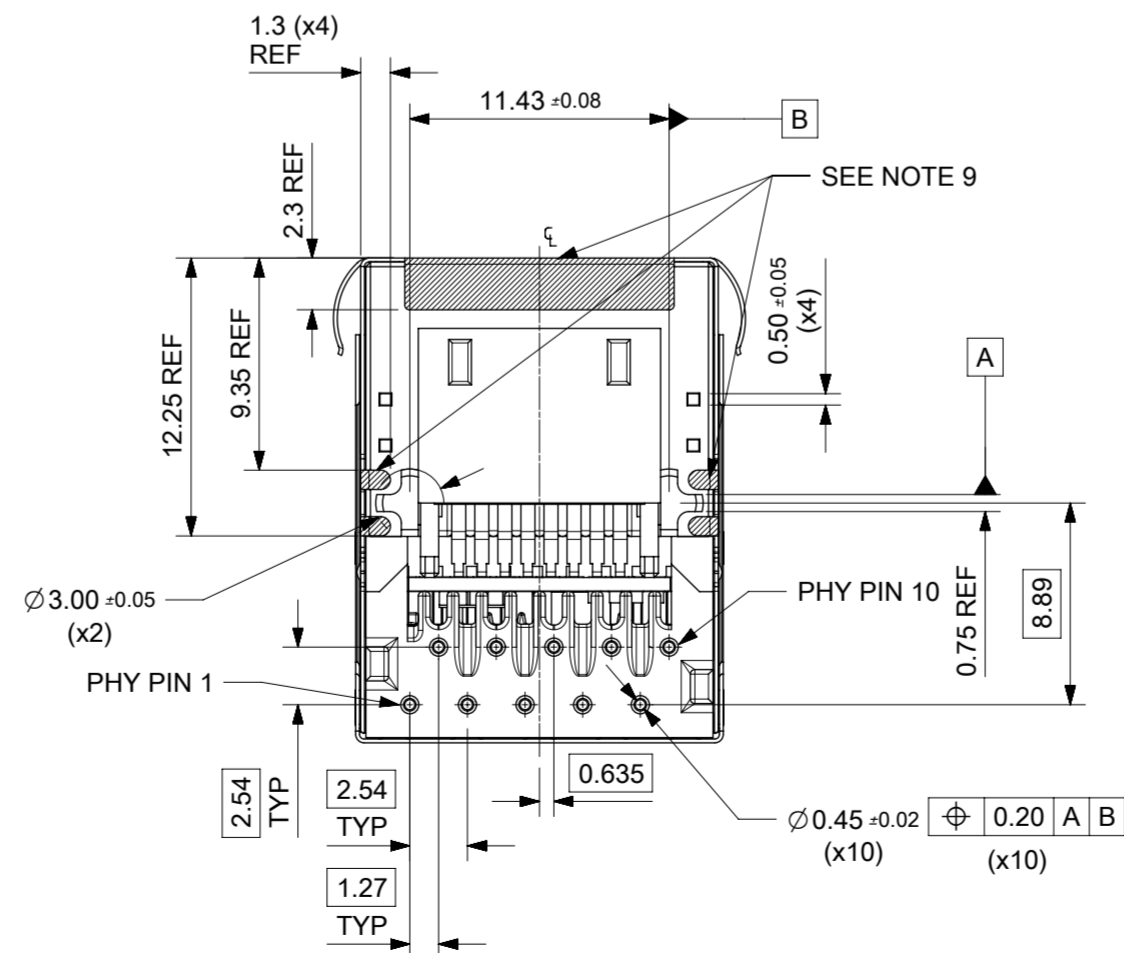
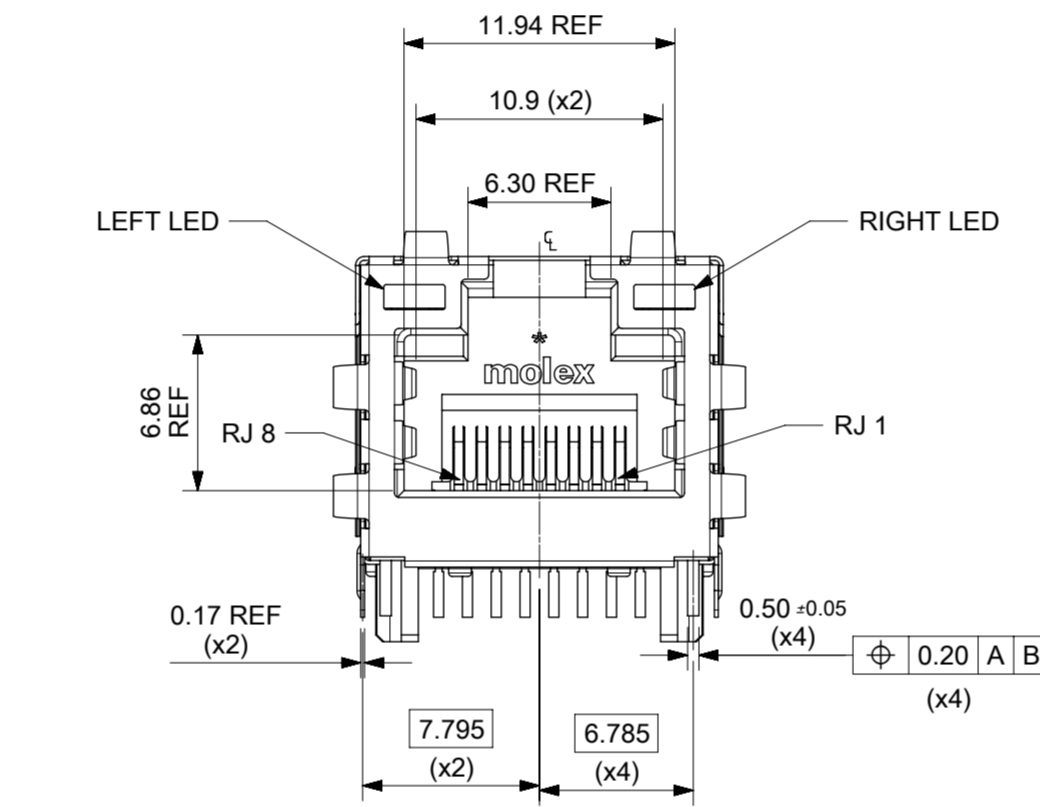
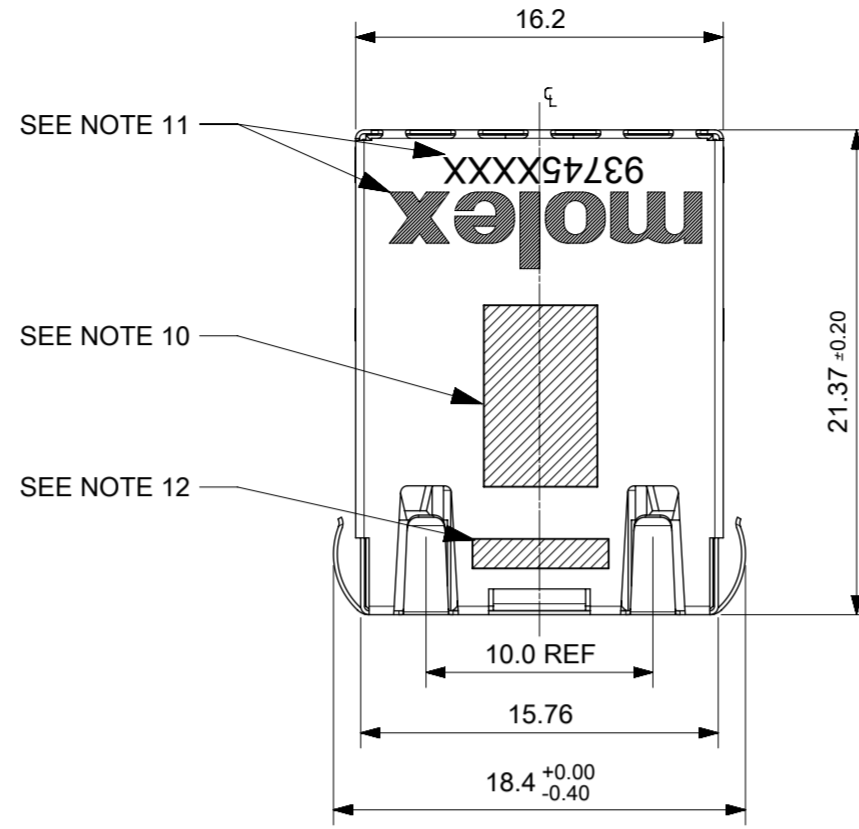
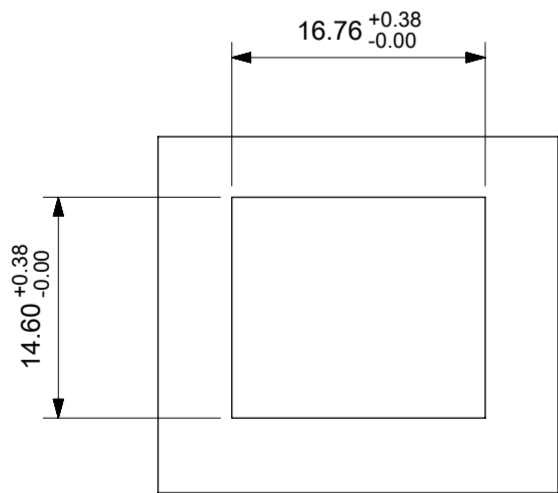
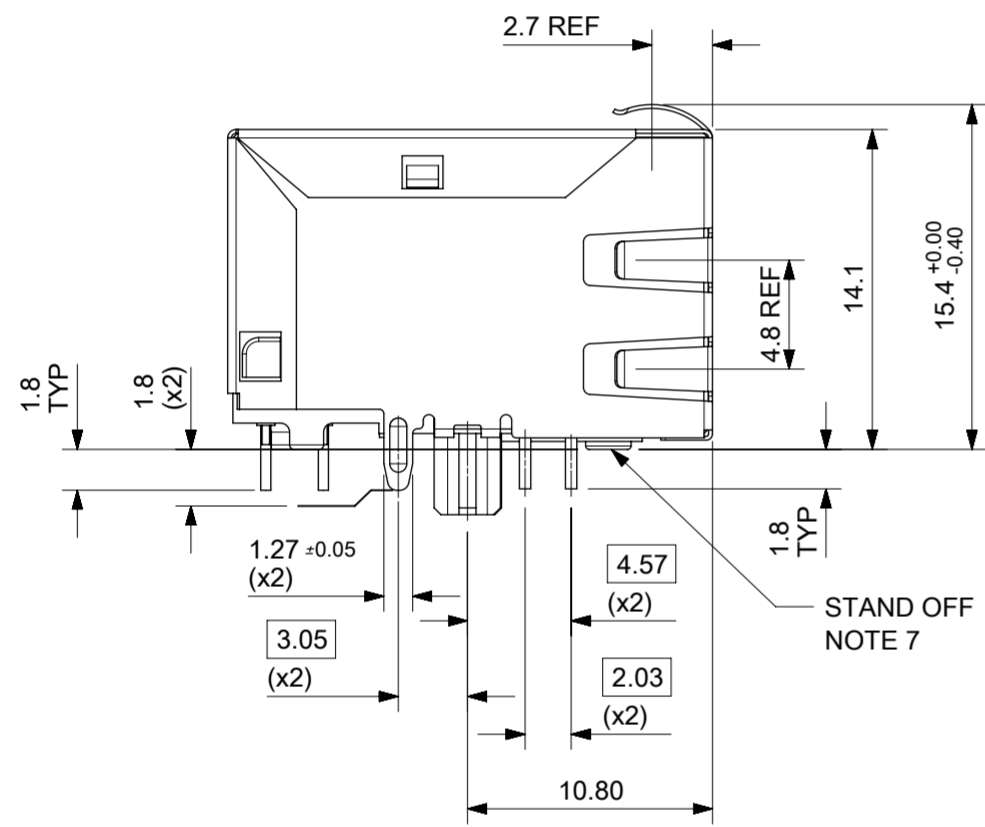
VERSION	QUANTITY PER TRAY	QUANTITY OF TRAYS PER BOX	QUANTITY PER BOX	QUANTITY PER PALLET
0.85" VERSION	56	12	672	18,144

- NOTES:
- MATERIAL: PETA ANTISTATIC
 - THICKNESS: 0.9mm ±0.05mm
 - COLOUR: CLEAR
 - BOW 2mm MAXIMUM PER 330mm
 - TWIST 2mm MAXIMUM PER 330mm
 - TRAY PART NO. AND RECYCLE LOGO TO BE CLEARLY MARKED ON TRAY
RECYCLE LOGO SHOULD BE APPROPRIATE TO MATERIAL USED
 - WHERE RELEVANT, DIMENSIONS SHOULD BE SYMMETRICAL ABOUT THE CENTRELINE
 - GENERAL PROFILE TOLERANCE $\overline{\cup}$ 0.40 ON NON DIMENSIONED FEATURES

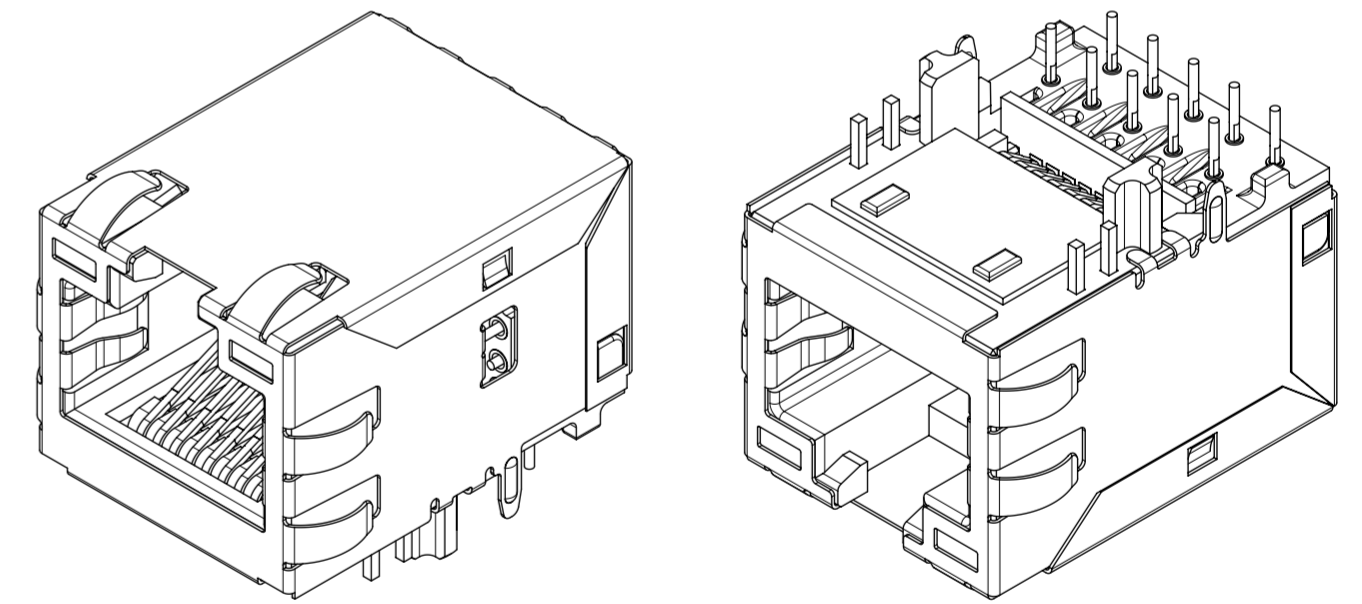
LAST INSPECTION NUMBER USED: 12

THIS DRAWING CONTAINS INFORMATION THAT IS PROPRIETARY TO MOLEX ELECTRONIC TECHNOLOGIES, LLC AND SHOULD NOT BE USED WITHOUT WRITTEN PERMISSION											
QUALITY SYMBOLS		ORIGINAL RELEASE		GENERAL TOLERANCES (UNLESS SPECIFIED)		DIMENSION UNITS		SCALE			
∇	= 0	2016/10/04	2016/12/07	ANGULAR TOL ± 1.0 °		MM	1:3	DRWN BY DATE			
∇	= 0	EC NO: 109024 DRWN: DALLENO1 CHK'D: DALLENO1 APPR: STGRIFFIN	2016/12/07 STGRIFFIN	4 PLACES ±	DRAFT WHERE APPLICABLE MUST REMAIN WITHIN DIMENSIONS	KREILLY 2016/05/06		CHK'D BY DATE			
∇	= 0			3 PLACES ±		APPBY DATE					
∇	= 0			2 PLACES ± 0.2		DRAWING SIZE THIRD ANGLE PROJECTION					
∇	= 0	1 PLACE ± 0.5	A3		93462		990250150		GENERAL MARKET		
∇	= 0	0 PLACES ±			934620003		PSD		K 1 OF 1		

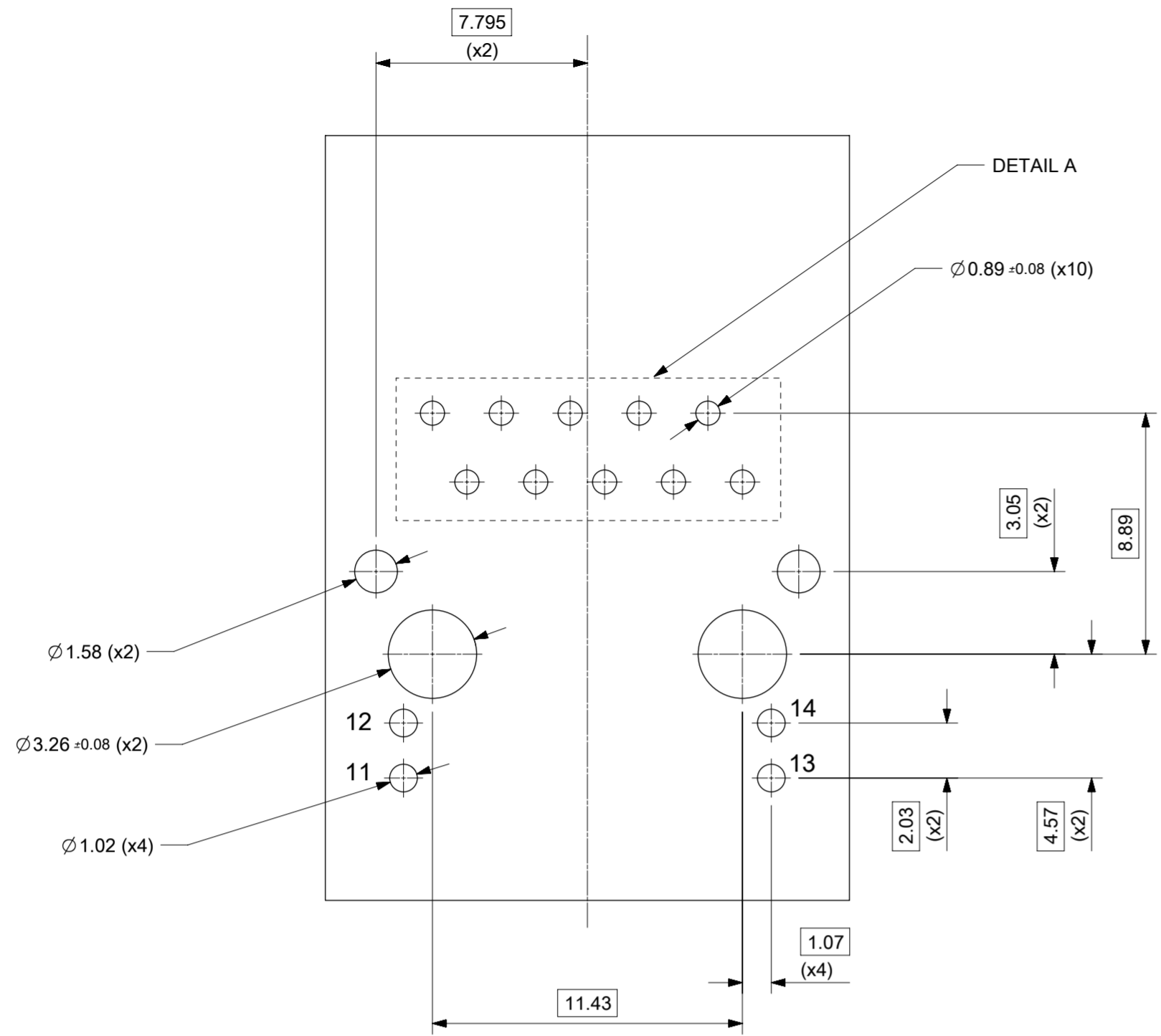
INVERTED PROFILE MAGNETIC JACK
GIGABIT ETHERNET W/LED
AND W/SHIELD TABS
PIN IN PASTE CAPABLE



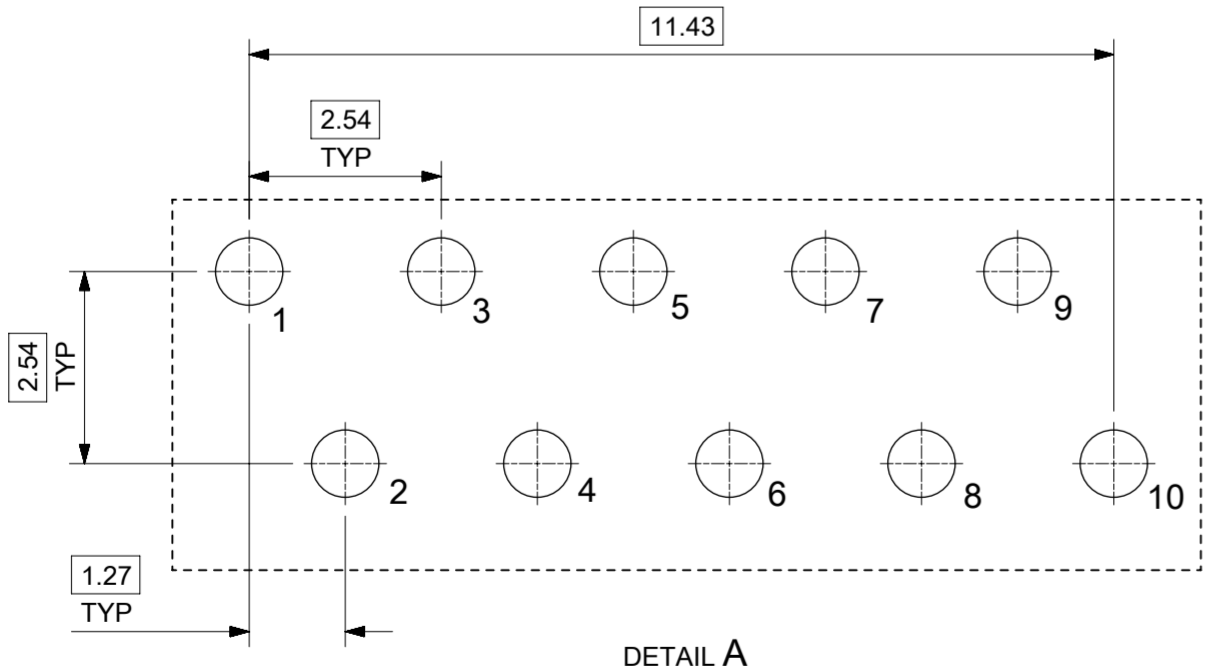
- NOTES:
- SHIELD MATERIAL: 0.17 mm THICK BRASS PRE-PLATED WITH NICKEL SOLDER TABS POST DIPPED WITH MIN 1.27 μm TIN
 - HOUSING MATERIAL: LCP, BLACK, UL 94V-0
 - TERMINALS MATERIAL: PHOSPHOR BRONZE
RJ45 CONTACTS PLATING: BASE NICKEL PLATED WITH GOLD FLASH OVER PALLADIUM NICKEL. REFER TO 934620001 PSP PHY SOLDER TAILS: COPPER ALLOY
 - MATING INTERFACE ACCORDING TO IEC 60603-7 & TIA-1096-A
 - PRODUCT SPECIFICATION: 934620001 PSP
 - PACKAGING SPECIFICATION: 934620001 PSK TRAY
 - STAND OFF TO SYSTEM BOARD 0.30 mm MIN
 - RECOMMENDED PCB THICKNESS: 1.57 mm
 - SHIELD: AVOID ROUTING TRACES OR PLACING ANY VIAS BELOW THESE AREAS
 - AREA FOR PICK AND PLACE: 5.0 mm X 8.0 mm
 - INSCRIPTION MARKED BY LASER:
1ST: MOLEX
2ND: P/N (SEE BOM)
 - INSCRIPTION MARKED BY LASER:
DATE CODE(DAY/WEEK/YEAR)
 - MATERIAL COMPLIANT TO RoHS DIRECTIVE 2002/95/EC



THIS DRAWING CONTAINS INFORMATION THAT IS PROPRIETARY TO MOLEX ELECTRONIC TECHNOLOGIES, LLC AND SHOULD NOT BE USED WITHOUT WRITTEN PERMISSION		GENERAL TOLERANCES (UNLESS SPECIFIED)		DIMENSION UNITS	SCALE	molex		
mm		3:1		DRWN BY DATE				
ANGULAR TOL ± 2.0 °		4 PLACES ±		KREILLY 2015/08/25		INV PRO MX-MAG P.I.P. 8 CORE GIG		
3 PLACES ±		2 PLACES ± 0.1		CHK'D BY DATE		PRODUCT CUSTOMER DRAWING		
1 PLACE ± 0.2		0 PLACES ±		DALLENO1 2016/11/24		SERIES MATERIAL NUMBER CUSTOMER		
DRAFT WHERE APPLICABLE MUST REMAIN WITHIN DIMENSIONS		DRAWING SIZE		THIRD ANGLE PROJECTION		93745 SEE TABLE ON SHEET 2 GENERAL MARKET		
A2		A2		93745		DOCUMENT NUMBER 937450003 DOC TYPE PSD DOC PART 000 SHEET NUMBER 1 OF 3		



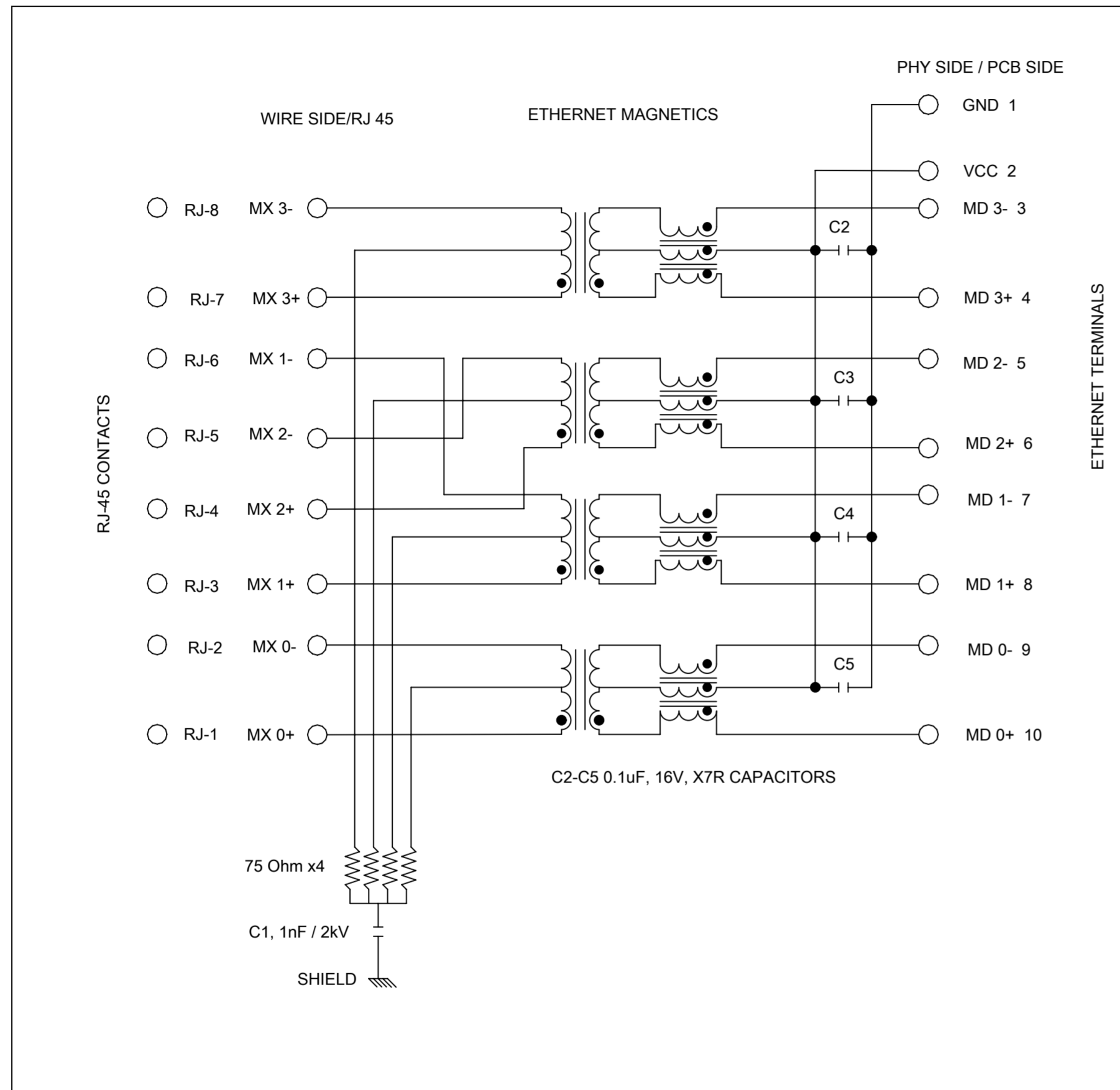
SUGGESTED BOARD LAYOUT
GIGABIT VERSION
COMPONENT SIDE
ALL DIMS REFERENCE DIMS



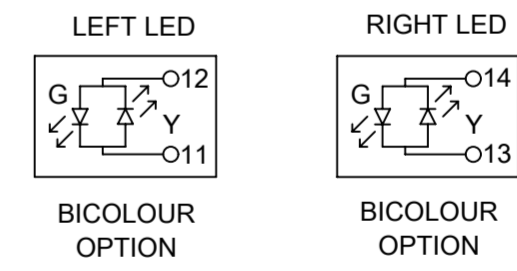
PIN CONFIGURATION
FOR GIGABIT VERSION

PART NUMBER	LEFT LED	RIGHT LED
937453608	GREEN/YELLOW	GREEN/YELLOW

THIS DRAWING CONTAINS INFORMATION THAT IS PROPRIETARY TO MOLEX ELECTRONIC TECHNOLOGIES, LLC AND SHOULD NOT BE USED WITHOUT WRITTEN PERMISSION													
REVISED	EC NO: 116686	2017/07/18	GENERAL TOLERANCES (UNLESS SPECIFIED)	DIMENSION UNITS	SCALE	molex							
	DRWN: BPMURPHY	2017/09/12	(UNLESS SPECIFIED)	mm	5:1								
	CHKD: DSHEA	2017/09/26	ANGULAR TOL ± 2.0 °	DRWN BY	DATE	INV PRO MX-MAG P.I.P. 8 CORE GIG							
	REV / APPR: DBYRNES			KREILLY	2015/08/25								
			4 PLACES ±	CHK'D BY	DATE	PRODUCT CUSTOMER DRAWING							
			3 PLACES ±	DALLEN01	2016/11/24								
		2 PLACES ± 0.1	APPR BY	DATE	SERIES			MATERIAL NUMBER			CUSTOMER		
		1 PLACE ± 0.2	STGRIFFIN	2015/11/18	93745	SEE TABLE			GENERAL MARKET				
		0 PLACES ±			DOCUMENT NUMBER			DOC TYPE			DOC PART SHEET NUMBER		
C			DRAFT WHERE APPLICABLE MUST REMAIN WITHIN DIMENSIONS	A2	THIRD ANGLE PROJECTION		937450003			PSD 000 2 OF 3			



Description	Value	
OCL @100 kHz, 0.1 V 8 mA DC bias (0°C to +70°C)	350 µH min.	
Turns ratio	1CT:1CT	
Transmission characteristics @ 25°C, all four pairs		
Insertion Loss		
Frequency f, (MHz)	Limits (dB max.)	Typical Values (dB max.)
1.0-9.9	0.4+0.1*log(f)	0.5 @ 10 MHz
10-49.9	0.5+0.3*log(f/10)	0.7 @ 50 MHz
50-79.9	1+1.4*log(f/80)	1.0 @ 80 MHz
80-100	1.3+3*log(f/100)	1.3 @ 100 MHz
Return Loss		
Frequency f, (MHz)	Limits (dB min.)	Typical Values (dB min.)
1.0-39.9	18	18 @ 40 MHz
40-100	12-20*log(f/80)	10 @ 100 MHz
CMR		
Frequency f, (MHz)	Limits (dB min.)	Typical Values (dB min.)
1.0-100	30	30 @ 100 MHz
Next		
Frequency f, (MHz)	Limits (dB min.)	Typical Values (dB min.)
1.0-39.9	35	35 @ 40 MHz
40-100	33-20*log(f/50)	27 @ 100 MHz
Isolation PHY to wire side	2.25 kVDC/60sec	



THIS DRAWING CONTAINS INFORMATION THAT IS PROPRIETARY TO MOLEX ELECTRONIC TECHNOLOGIES, LLC AND SHOULD NOT BE USED WITHOUT WRITTEN PERMISSION									
REVISED	EC NO: 116686	2017/07/18	GENERAL TOLERANCES (UNLESS SPECIFIED)	DIMENSION UNITS	SCALE	molex			
	DRWN: BPMURPHY	2017/09/12	(UNLESS SPECIFIED)	mm	1:1				
	CHK'D: DSHEA	2017/09/26	ANGULAR TOL ± 2.0 °	DRWN BY	DATE	INV PRO MX-MAG P.I.P. 8 CORE GIG			
	REV / APPR: DBYRNES		4 PLACES ±	KREILLY	2015/08/25				
			3 PLACES ±	CHK'D BY	DATE	PRODUCT CUSTOMER DRAWING			
		2 PLACES ± 0.1	DALLENO1	2016/11/24					
		1 PLACE ± 0.2	APPR BY	DATE	SERIES MATERIAL NUMBER CUSTOMER				
		0 PLACES ±	STGRIFFIN	2015/11/18					
		DRAFT WHERE APPLICABLE MUST REMAIN WITHIN DIMENSIONS	DRAWING SIZE	THIRD ANGLE PROJECTION	93745 SEE TABLE ON SHEET 2		GENERAL MARKET		
C			A2		DOCUMENT NUMBER 937450003		DOC TYPE PSD	DOC PART 000	SHEET NUMBER 3 OF 3