



Chipsmall Limited consists of a professional team with an average of over 10 year of expertise in the distribution of electronic components. Based in Hongkong, we have already established firm and mutual-benefit business relationships with customers from,Europe,America and south Asia,supplying obsolete and hard-to-find components to meet their specific needs.

With the principle of “Quality Parts,Customers Priority,Honest Operation,and Considerate Service”,our business mainly focus on the distribution of electronic components. Line cards we deal with include Microchip,ALPS,ROHM,Xilinx,Pulse,ON,Everlight and Freescale. Main products comprise IC,Modules,Potentiometer,IC Socket,Relay,Connector.Our parts cover such applications as commercial,industrial, and automotives areas.

We are looking forward to setting up business relationship with you and hope to provide you with the best service and solution. Let us make a better world for our industry!



Contact us

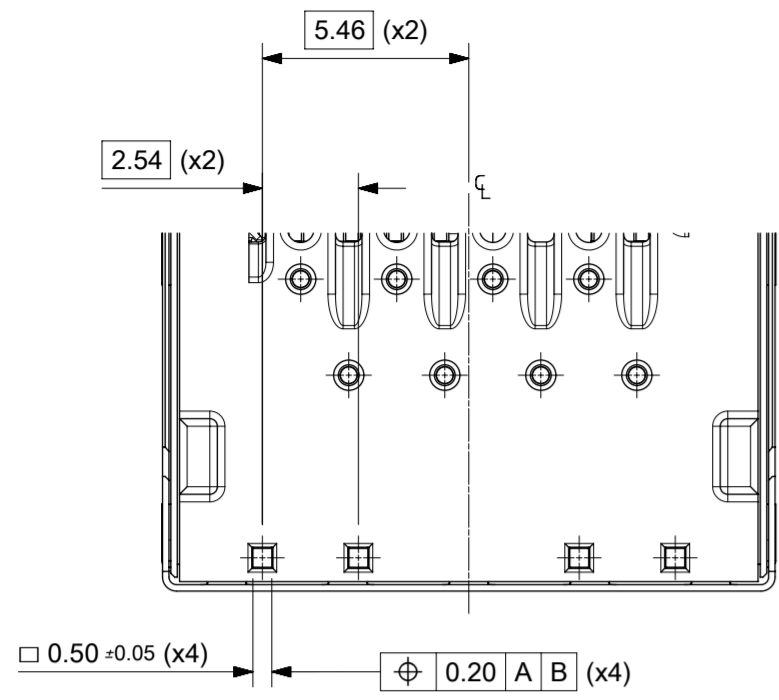
Tel: +86-755-8981 8866 Fax: +86-755-8427 6832

Email & Skype: info@chipsmall.com Web: www.chipsmall.com

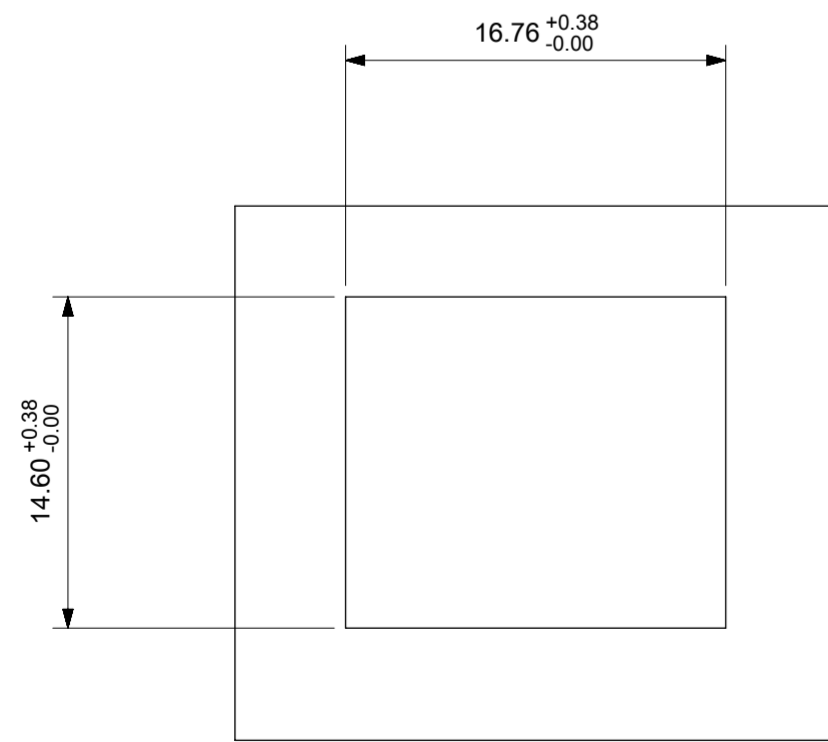
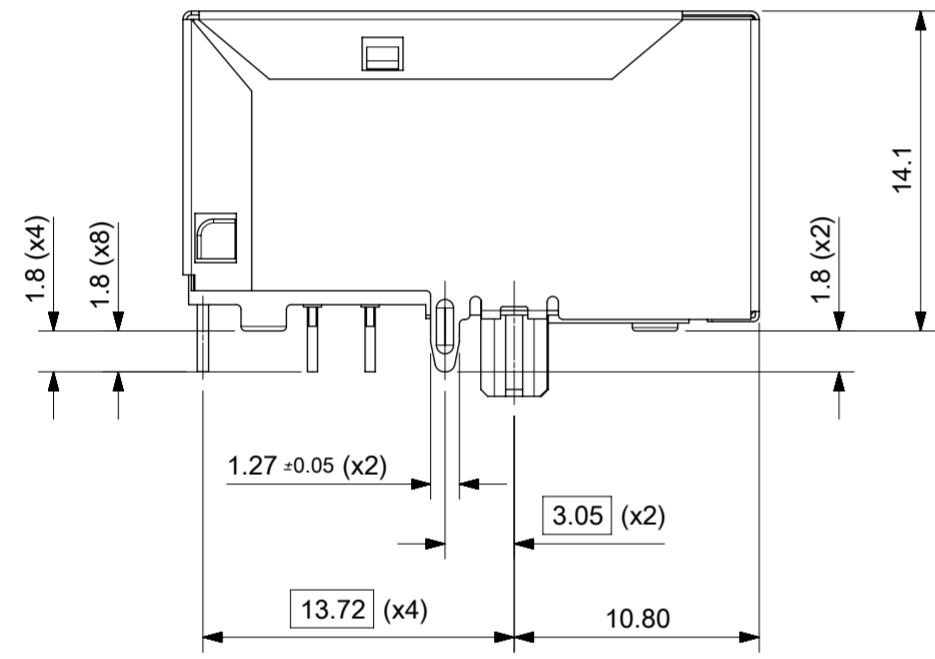
Address: A1208, Overseas Decoration Building, #122 Zhenhua RD., Futian, Shenzhen, China



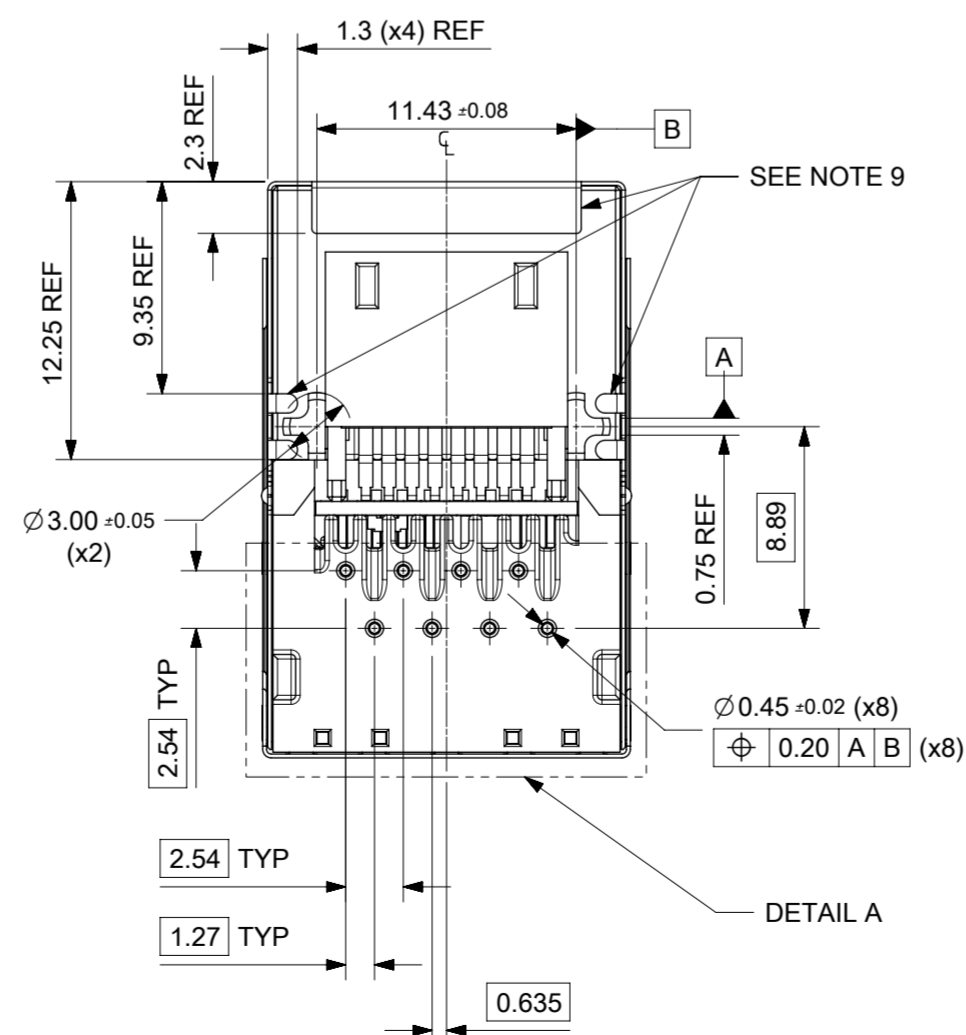
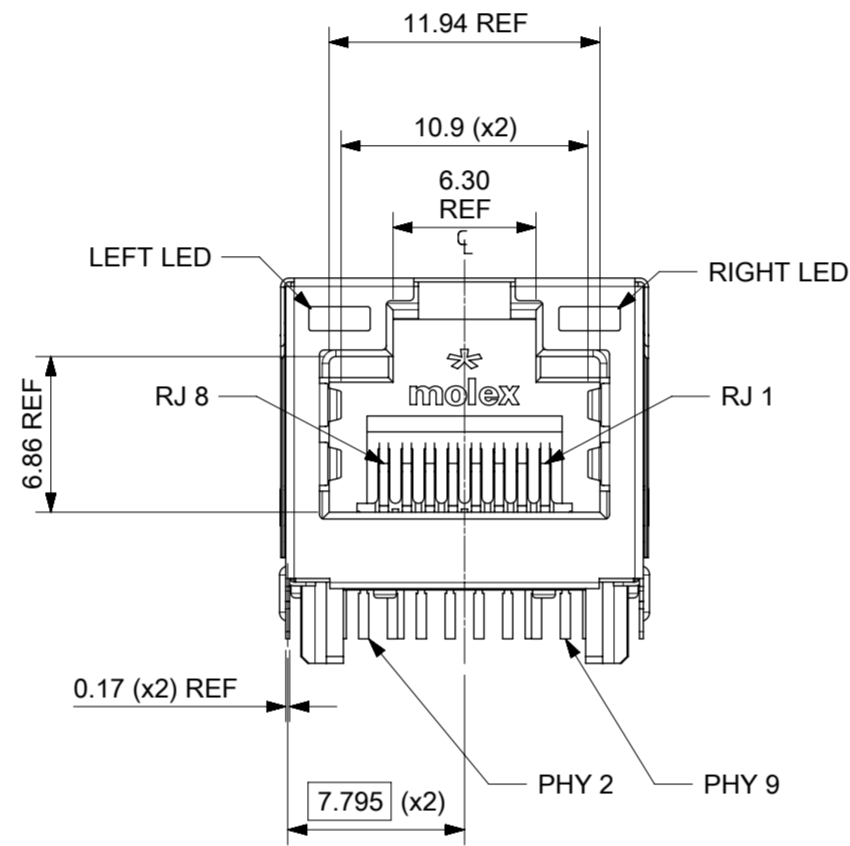
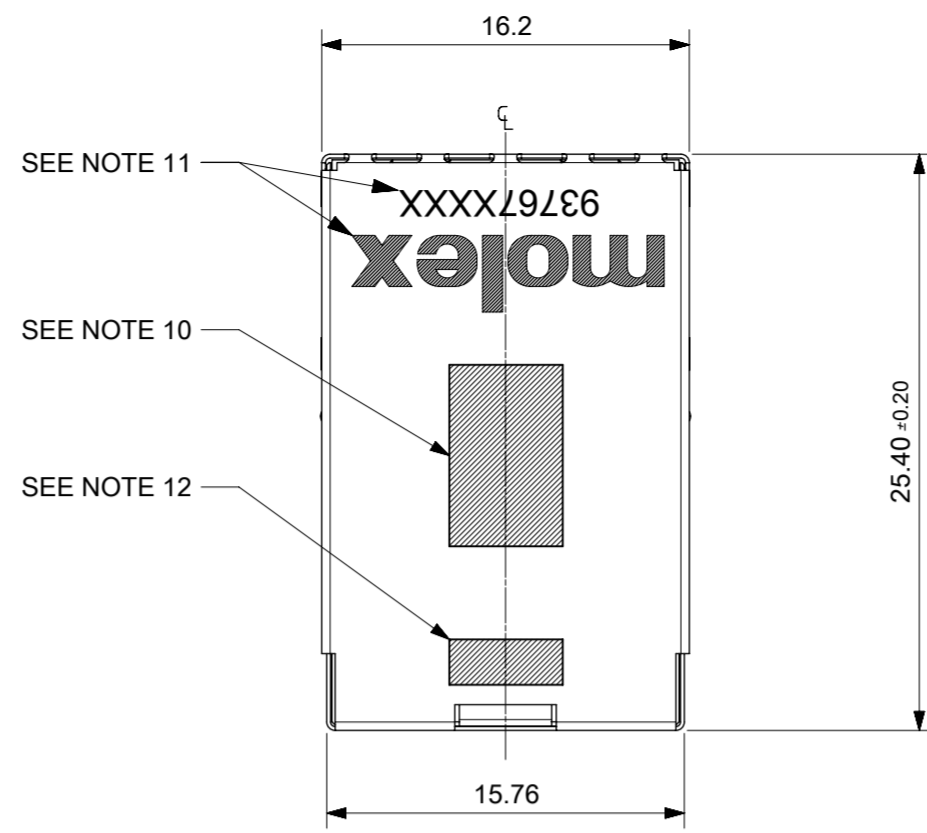
INVERTED PROFILE MAGNETIC JACK
FAST ETHERNET W/LED



DETAIL A
SCALE 5:1

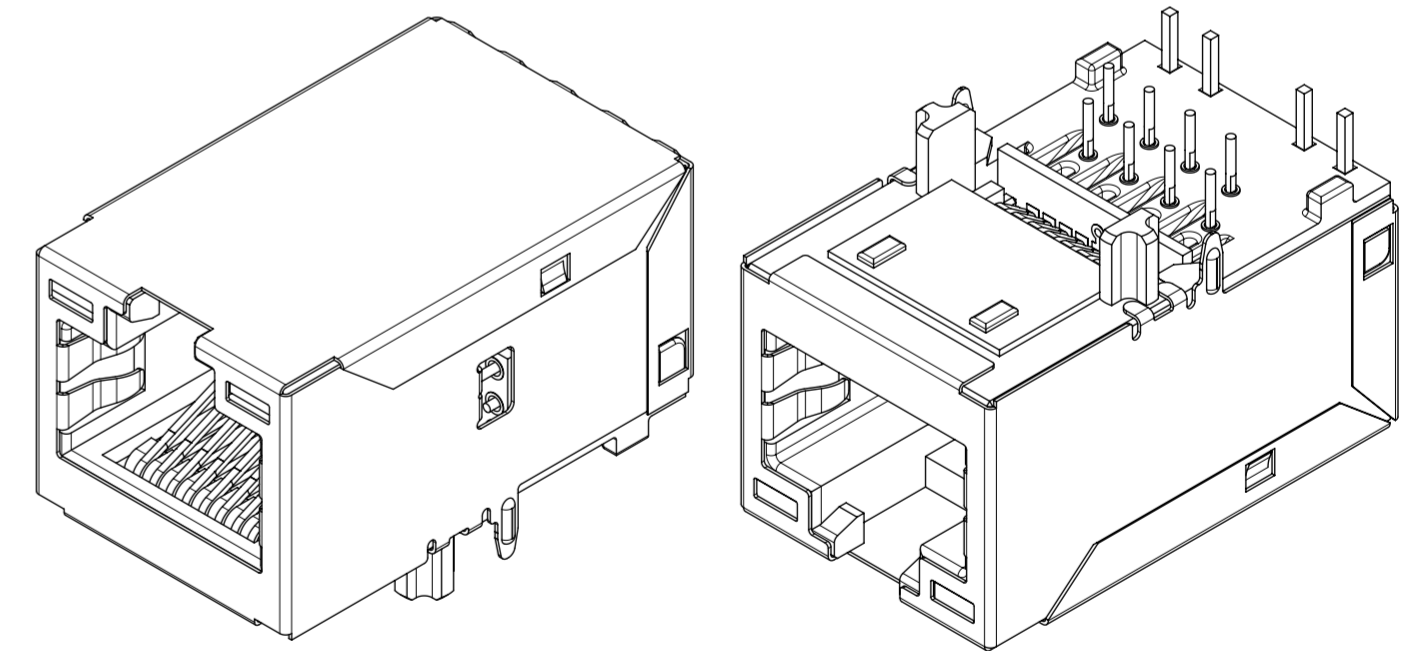


SUGGESTED PANEL CUT-OUT

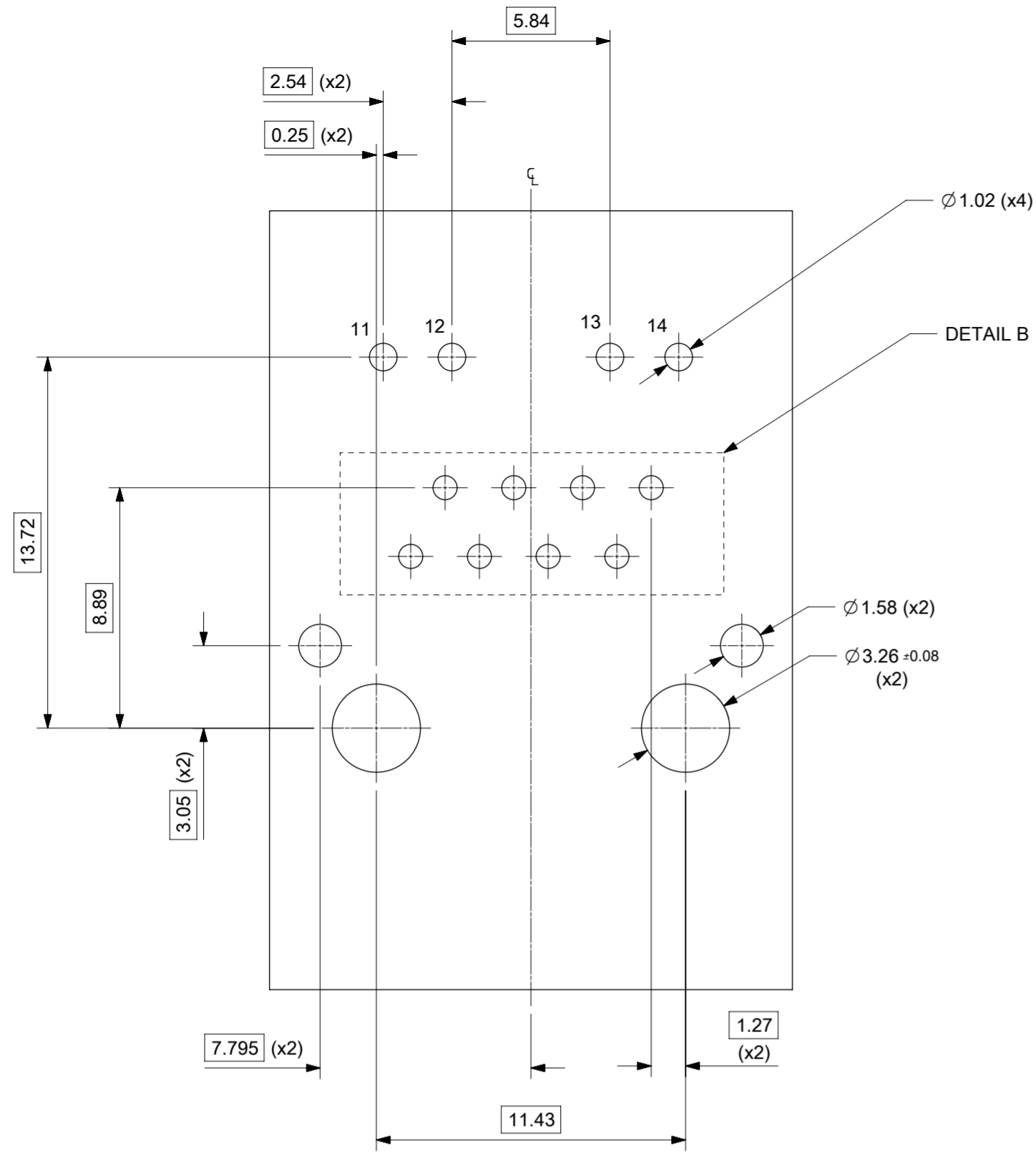


NOTES:

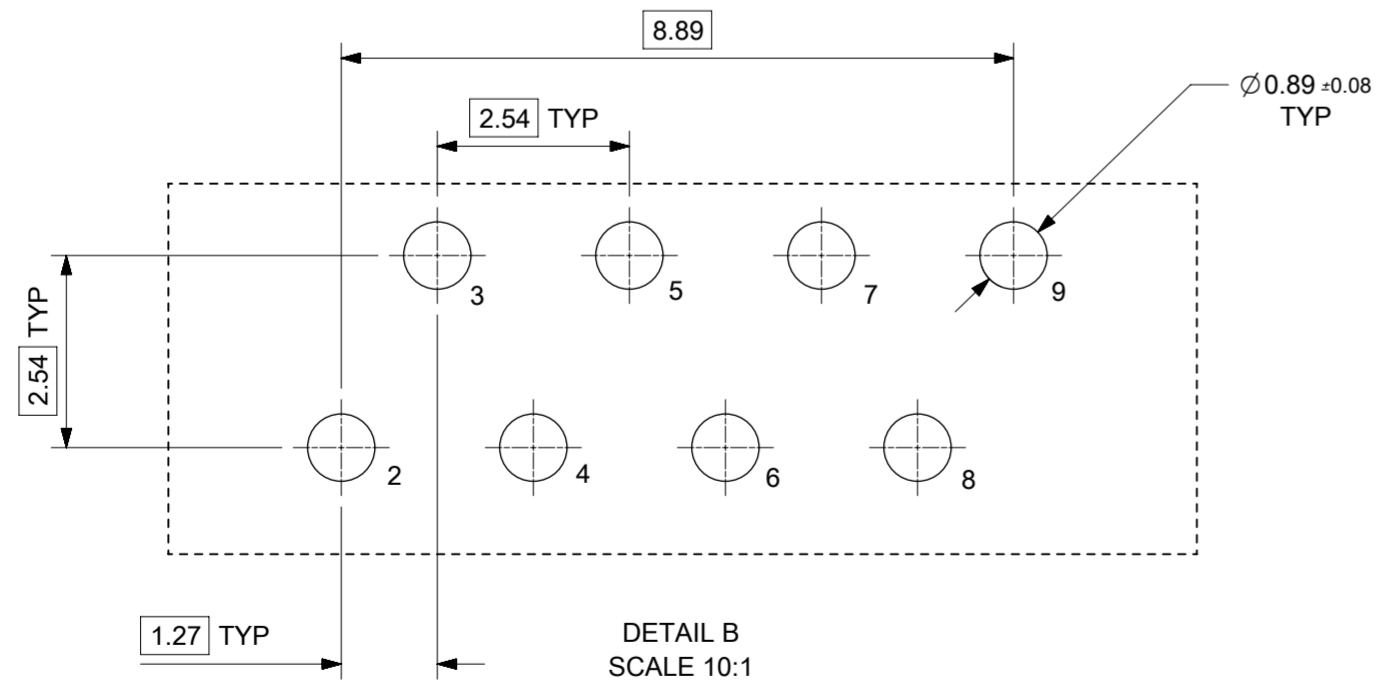
- 1 - SHIELD MATERIAL: 0.17MM THICK BRASS PRE-PLATED WITH NICKEL.
SOLDER TABS POST DIPPED WITH MIN. 1.27µm TIN
- 2 - HOUSING MATERIAL: LCP, BLACK, UL 94V-0.
- 3 - TERMINALS MATERIAL: PHOSPHOR BRONZE.
RJ45 CONTACT PLATING: BASE NICKEL, GOLD FLASH OVER PALLADIUM NICKEL.
PHY SOLDER TAILS: COPPER ALLOY REFER TO 934620001 PSP.
- 4 - MATING INTERFACE ACCORDING TO IEC 60603-7 & TIA-1096-A.
- 5 - PRODUCT SPECIFICATION: 934620001 PSP.
- 6 - PACKAGING SPECIFICATION: 934620002 PSK TAPE & REEL.
- 7 - STAND OFF TO SYSTEM BOARD 0.30 mm MIN.
- 8 - RECOMMENDED PCB THICKNESS: 1.57 mm REF.
- 9 - SHIELD: AVOID ROUTING TRACES
OR PLACING ANY VIAS BELOW THESE AREAS.
- 10 - AREA FOR PICK AND PLACE: 5.0 mm X 8.0 mm.
- 11 - INSCRIPTION MARKED BY LASER:
1st : MOLEX
2nd : P/N (SEE BOM)
- 12 - INSCRIPTION MARKED BY LASER:
DATE CODE(DAY/WEEK/YEAR)
- 13 - MATERIAL COMPLIANT TO RoHS DIRECTIVE 2002/95/EC.



THIS DRAWING CONTAINS INFORMATION THAT IS PROPRIETARY TO MOLEX ELECTRONIC TECHNOLOGIES, LLC AND SHOULD NOT BE USED WITHOUT WRITTEN PERMISSION		DIMENSION UNITS		SCALE		molex			
GENERAL TOLERANCES (UNLESS SPECIFIED)		MM		3:1					1" MXMAG 4 CORE FE IND
UPDATED MAGBOX + 2KV EC NO: 117810 DRWN: SBRENNAN CHKD: DBYRNES APPR: STGRIFFIN	ANGULAR TOL ± 2.0 °	DRWN BY	DATE		PRODUCT CUSTOMER DRAWING				
	4 PLACES ±	DSHEA	2016/07/01						
	3 PLACES ±	CHK'D BY	DATE		SERIES MATERIAL NUMBER CUSTOMER				
	2 PLACES ± 0.1	DBYRNES	2016/09/19					93767 SEE TABLE ON SHEET 2 GENERAL MARKET	
	1 PLACE ± 0.2	APPR BY	DATE		DOCUMENT NUMBER DOC TYPE DOC PART SHEET NUMBER				
0 PLACES ±	STGRIFFIN	2016/09/23		937670002 PSD 000 1 OF 3					
DRAFT WHERE APPLICABLE MUST REMAIN WITHIN DIMENSIONS	DRAWING SIZE	THIRD ANGLE PROJECTION							
B1	A2								



SUGGESTED BOARD LAYOUT
FAST ETHERNET
VIEW FROM COMPONENT SIDE
ALL DIMS ARE REFERENCE



DETAIL B
SCALE 10:1
PIN CONFIGURATION
FOR FAST ETHERNET

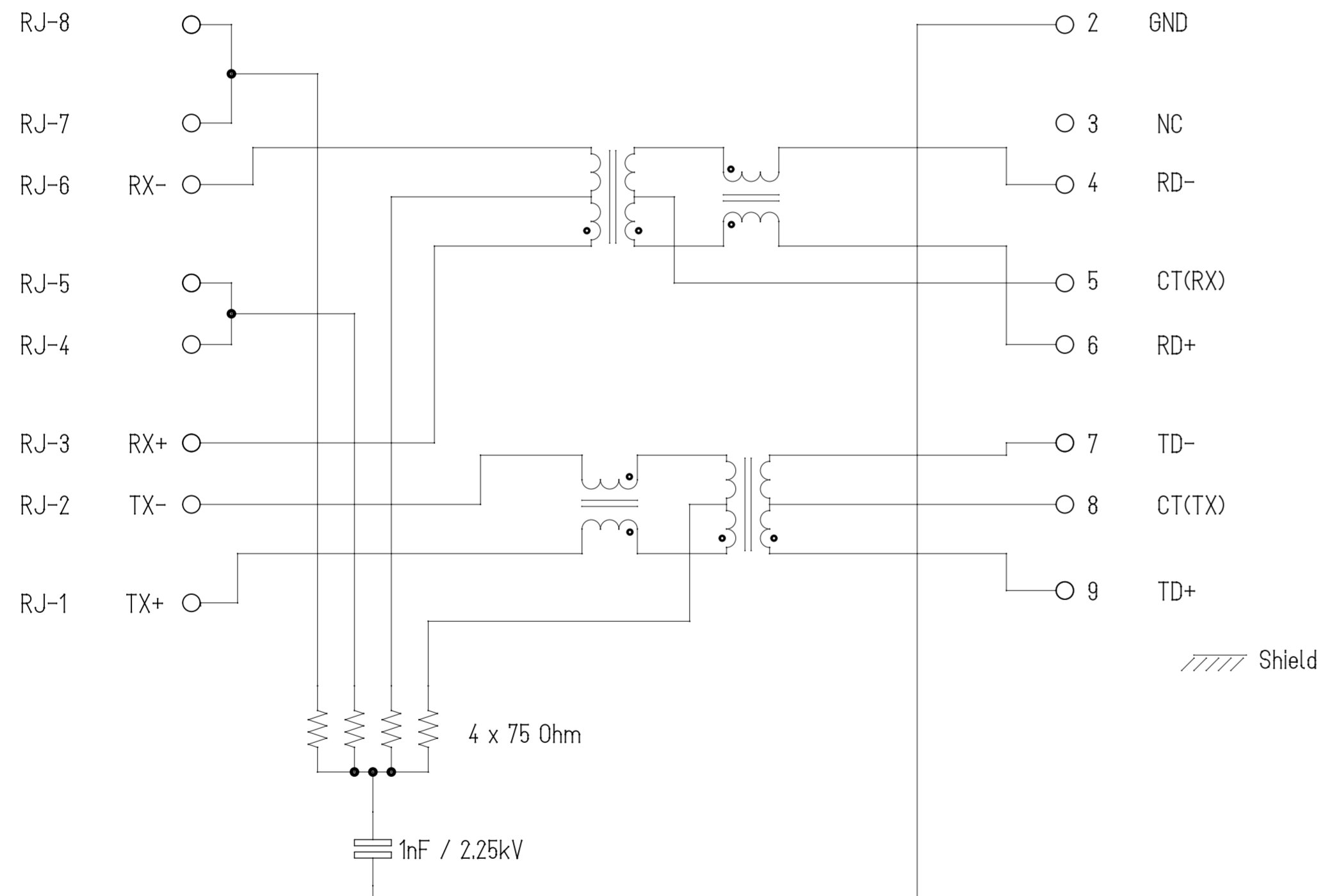
PART NUMBER	LEFT LED	RIGHT LED
937675126	GREEN	YELLOW

THIS DRAWING CONTAINS INFORMATION THAT IS PROPRIETARY TO MOLEX ELECTRONIC TECHNOLOGIES, LLC AND SHOULD NOT BE USED WITHOUT WRITTEN PERMISSION

UPDATED MAGBOX + 2KV EC NO: 117810 DRWN: SBRENNAN CHKD: DBYRNES APPR: STGRIFFIN 2017/06/06 2017/06/12 2017/06/12	GENERAL TOLERANCES (UNLESS SPECIFIED)	DIMENSION UNITS	SCALE			
	ANGULAR TOL ± 2.0 °	MM	5:1			
	4 PLACES ±	DRWN BY	DATE		1" MXMAG 4 CORE FE IND	
	3 PLACES ±	DSHEA	2016/07/01			
	2 PLACES ± 0.1	CHK'D BY	DATE			
1 PLACE ± 0.2	DBYRNES	2016/09/19				
0 PLACES ±	APPR BY	DATE	PRODUCT CUSTOMER DRAWING			
DRAFT WHERE APPLICABLE MUST REMAIN WITHIN DIMENSIONS	DRAWING SIZE	THIRD ANGLE PROJECTION	SERIES	MATERIAL NUMBER	CUSTOMER	
B1	A2		93767	SEE TABLE ON SHEET 2	GENERAL MARKET	
			DOCUMENT NUMBER	DOC TYPE	DOC PART	SHEET NUMBER
			937670002	PSD	000	2 OF 3

RJ-45 CONTACTS

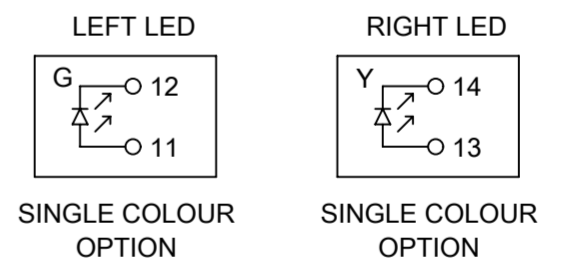
WIRE-SIDE / RJ-45 ETHERNET MAGNETICS PHY-SIDE / PCB SIDE



Shield

ETHERNET TERMINALS

Description	Value	
OCL @100 kHz, 0.1 V, 8 mA DC bias (-40°C TO +85°C)	350 μH min.	
Turns ratio	1CT:1CT	
Transmission characteristics @ 25°C, all four pairs		
Insertion Loss		
Frequency (MHz)	Limits (dB max.)	Typical Values (dB max.)
1.0-9.9 MHz	0.4+0.1*log(F)	0.5 @ 10 MHz
10-49.9 MHz	0.5+0.3*log(F/10)	0.7 @ 50 MHz
50-79.9 MHz	1+1.4*log(F/80)	1.0 @ 80 MHz
80-100 MHz	1.3+3*log(F/100)	1.3 @ 100 MHz
Return Loss		
Frequency (MHz)	Limits (dB min.)	Typical Values (dB min.)
1.0-39.9 MHz	18	18 @ 40 MHz
40-100 MHz	12-20*log(F/80)	10 @ 100 MHz
CMR		
Frequency (MHz)	Limits (dB min.)	Typical Values (dB min.)
1.0-100 MHz	30	30 @ 100 MHz
Next		
Frequency (MHz)	Limits (dB min.)	Typical Values (dB min.)
1.0-39.9 MHz	35	35 @ 40 MHz
40-100 MHz	33-20*log(F/50)	27 @ 100 MHz
Isolation PHY to wire side	2.25 kVDC / 60 s	



THIS DRAWING CONTAINS INFORMATION THAT IS PROPRIETARY TO MOLEX ELECTRONIC TECHNOLOGIES, LLC AND SHOULD NOT BE USED WITHOUT WRITTEN PERMISSION

EC NO: 117810 DRWN: SBRENNAN CHK'D: DBYRNES REV / APPR: STGRIFFIN	2017/06/06	2017/06/12	2017/06/12	GENERAL TOLERANCES (UNLESS SPECIFIED)	DIMENSION UNITS	SCALE				
	4 PLACES ±			ANGULAR TOL ± 2.0 °	MM	1:1				
	3 PLACES ±				DRWN BY	DATE				
	2 PLACES ± 0.1				DSHEA	2016/07/01				
1 PLACE ± 0.2				CHK'D BY	DATE	1" MXMAG 4 CORE FE IND				
0 PLACES ±				DBYRNES	2016/09/19					
DRAFT WHERE APPLICABLE MUST REMAIN WITHIN DIMENSIONS					APPR BY	DATE	PRODUCT CUSTOMER DRAWING			
					STGRIFFIN	2016/09/23	SERIES	MATERIAL NUMBER	CUSTOMER	
					DRAWING SIZE	THIRD ANGLE PROJECTION	93767	SEE TABLE ON SHEET 2	GENERAL MARKET	
					A2		DOCUMENT NUMBER	DOC TYPE	DOC PART	SHEET NUMBER
							937670002	PSD	000	3 OF 3