



Chipsmall Limited consists of a professional team with an average of over 10 year of expertise in the distribution of electronic components. Based in Hongkong, we have already established firm and mutual-benefit business relationships with customers from,Europe,America and south Asia,supplying obsolete and hard-to-find components to meet their specific needs.

With the principle of “Quality Parts,Customers Priority,Honest Operation,and Considerate Service”,our business mainly focus on the distribution of electronic components. Line cards we deal with include Microchip,ALPS,ROHM,Xilinx,Pulse,ON,Everlight and Freescale. Main products comprise IC,Modules,Potentiometer,IC Socket,Relay,Connector.Our parts cover such applications as commercial,industrial, and automotives areas.

We are looking forward to setting up business relationship with you and hope to provide you with the best service and solution. Let us make a better world for our industry!



Contact us

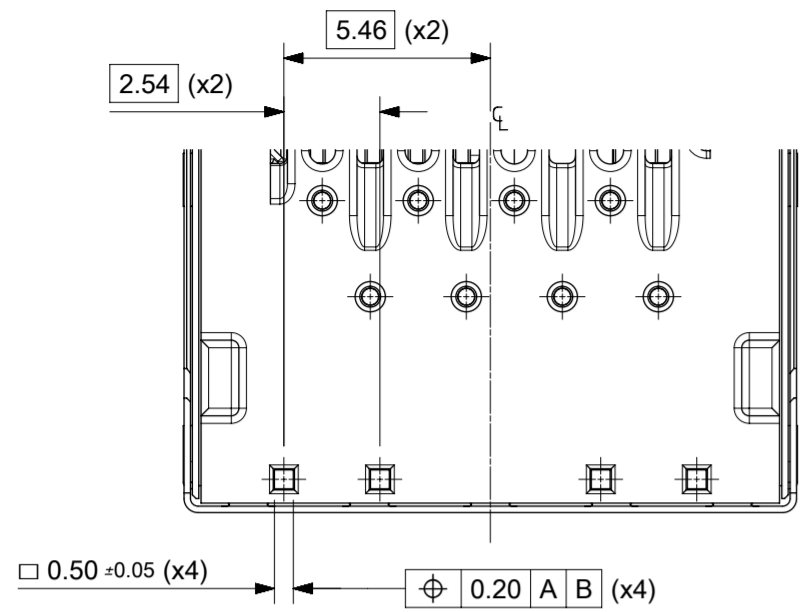
Tel: +86-755-8981 8866 Fax: +86-755-8427 6832

Email & Skype: info@chipsmall.com Web: www.chipsmall.com

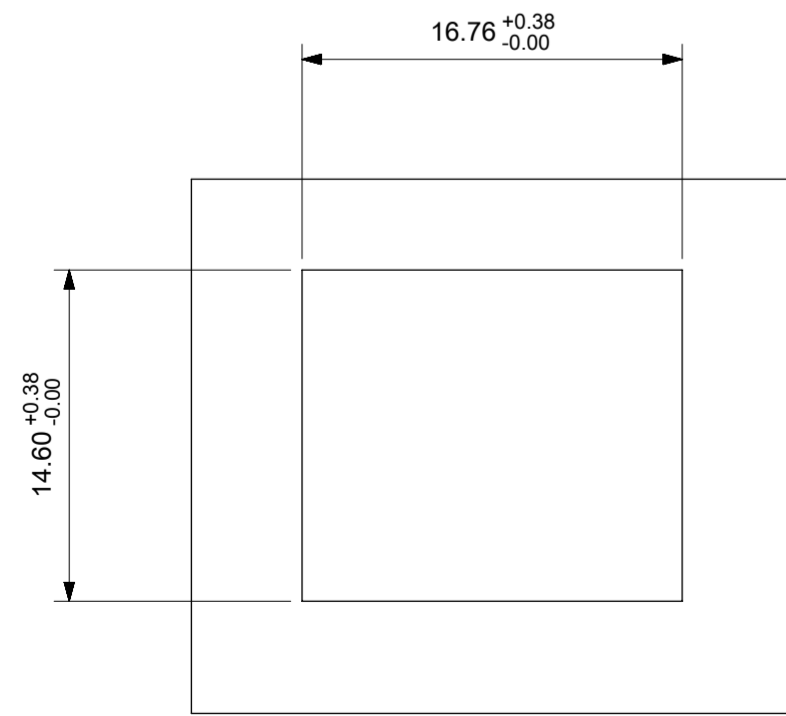
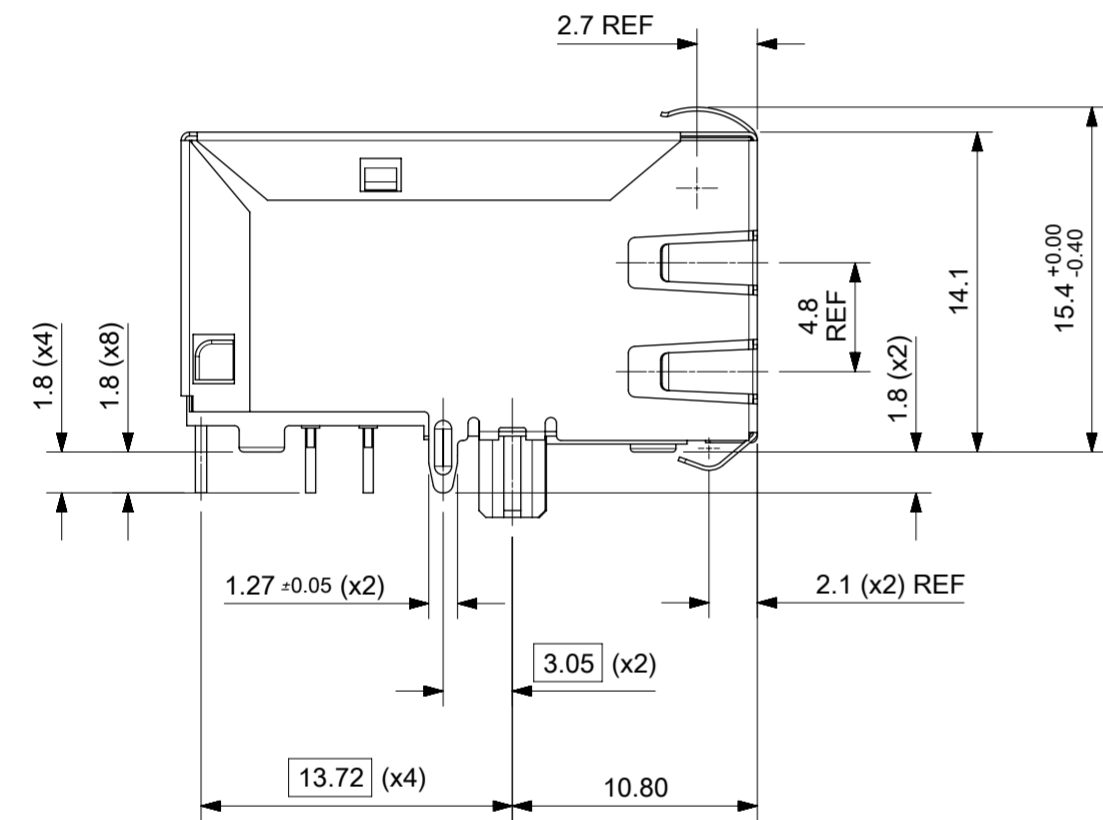
Address: A1208, Overseas Decoration Building, #122 Zhenhua RD., Futian, Shenzhen, China



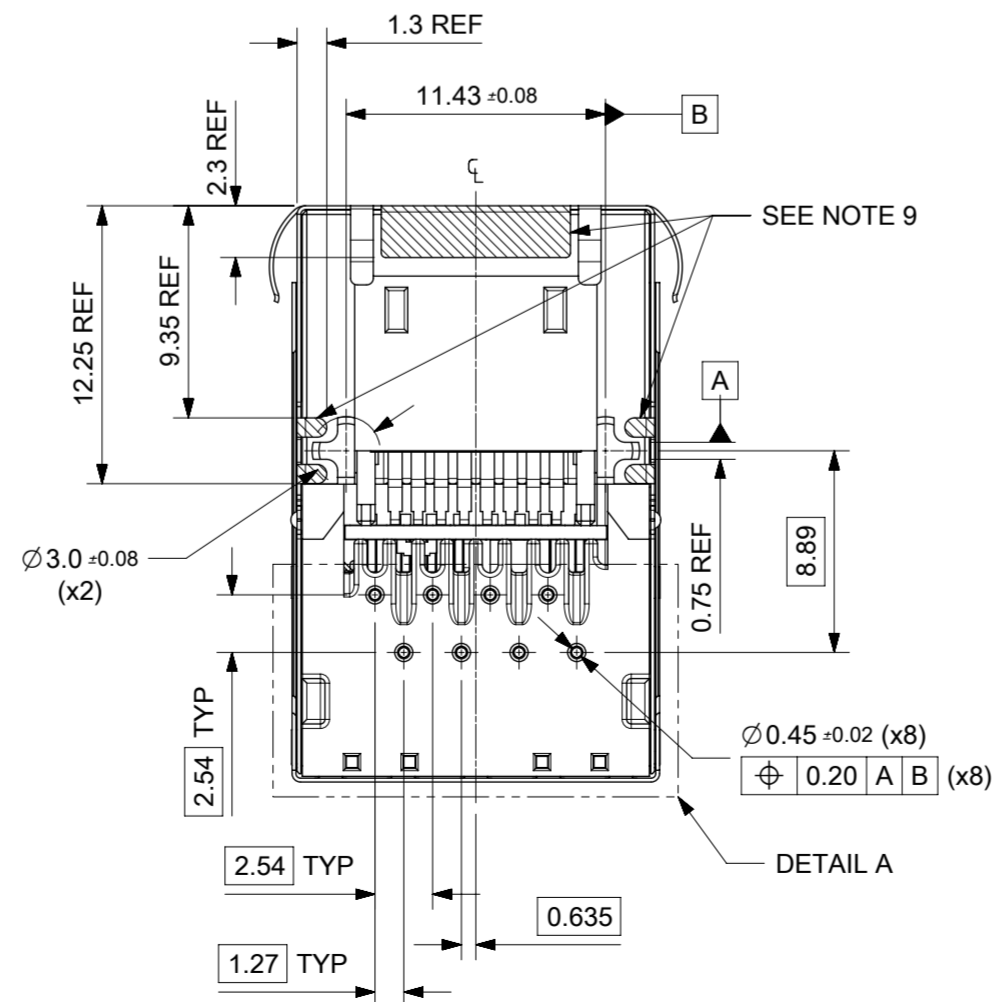
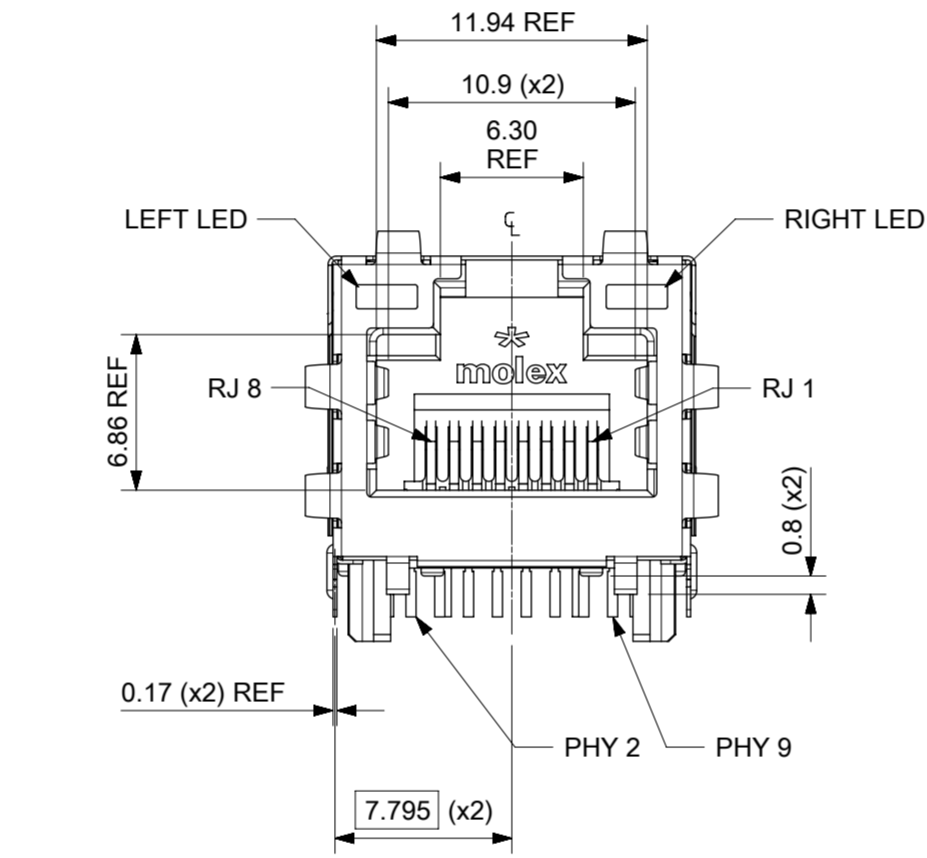
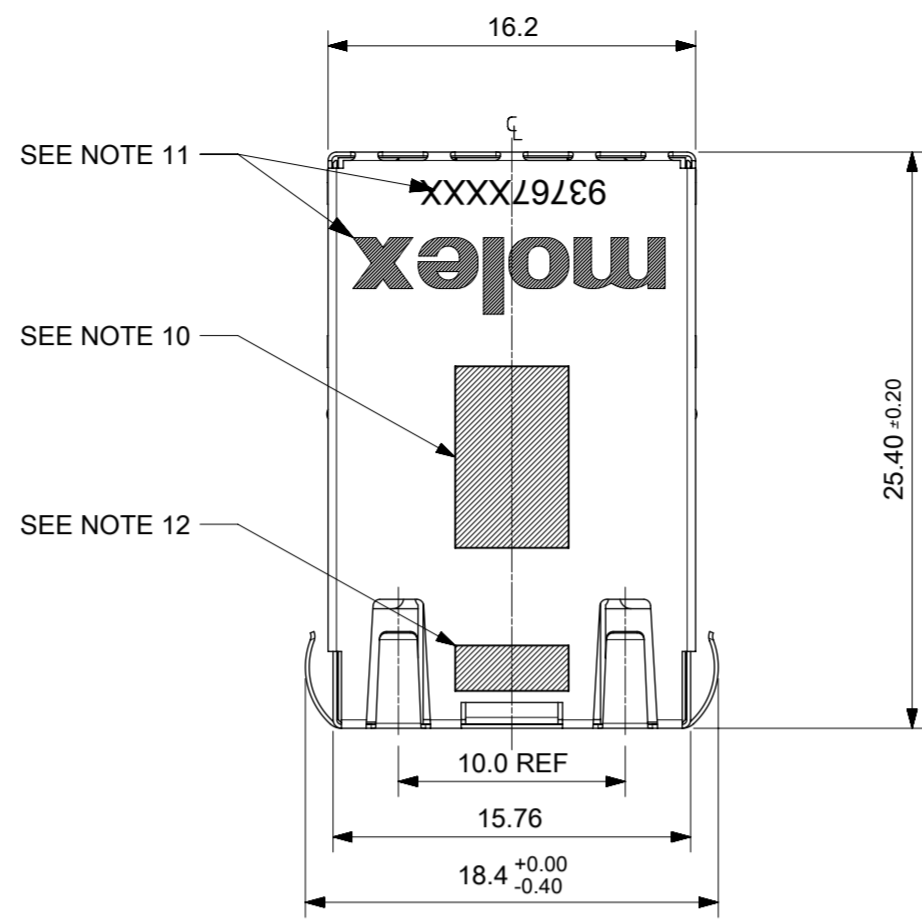
INVERTED PROFILE MAGNETIC JACK
FAST ETHERNET W/LED
AND W/SHIELD TABS TOP, SIDE AND BOTTOM



DETAIL A
SCALE 5:1

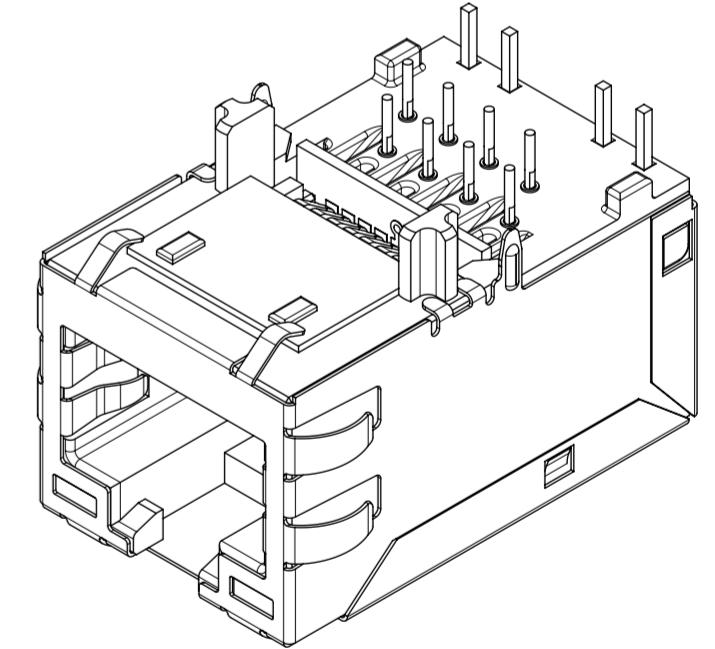
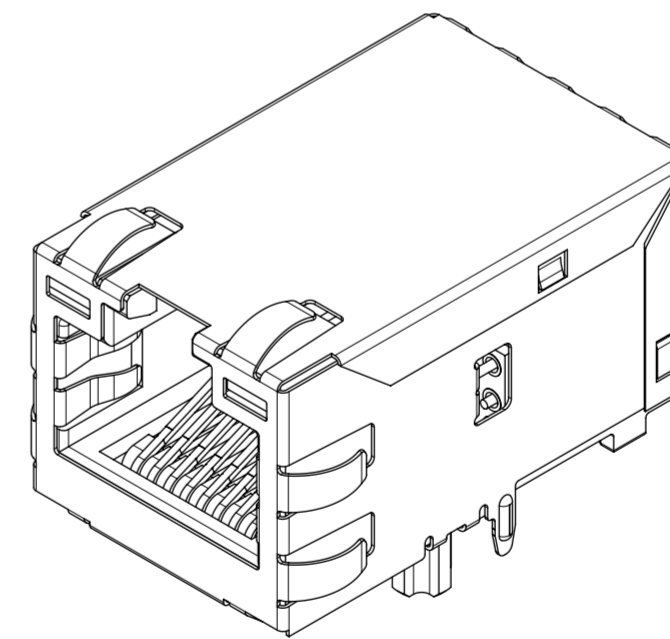


SUGGESTED PANEL CUT OUT

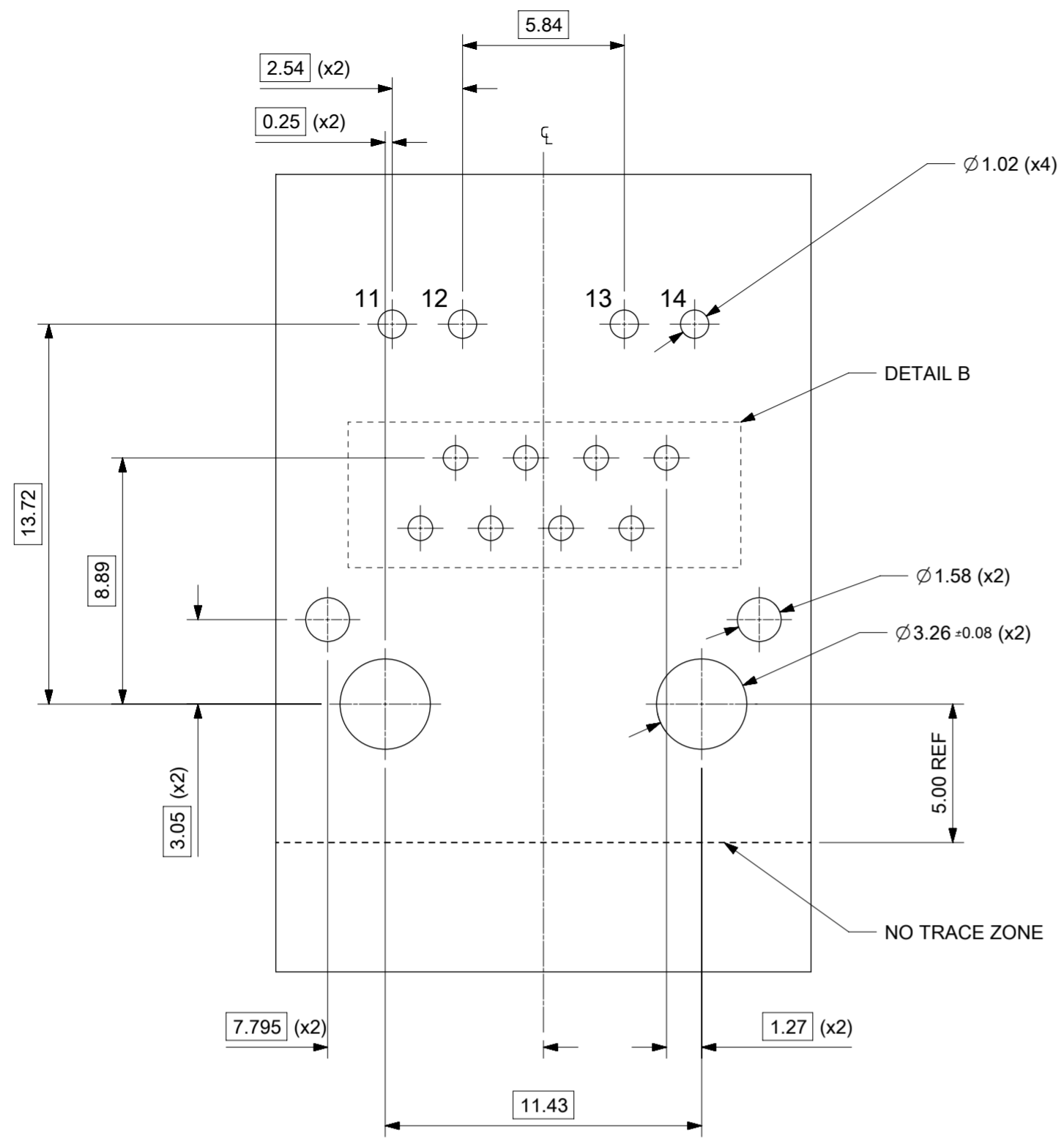


NOTES:

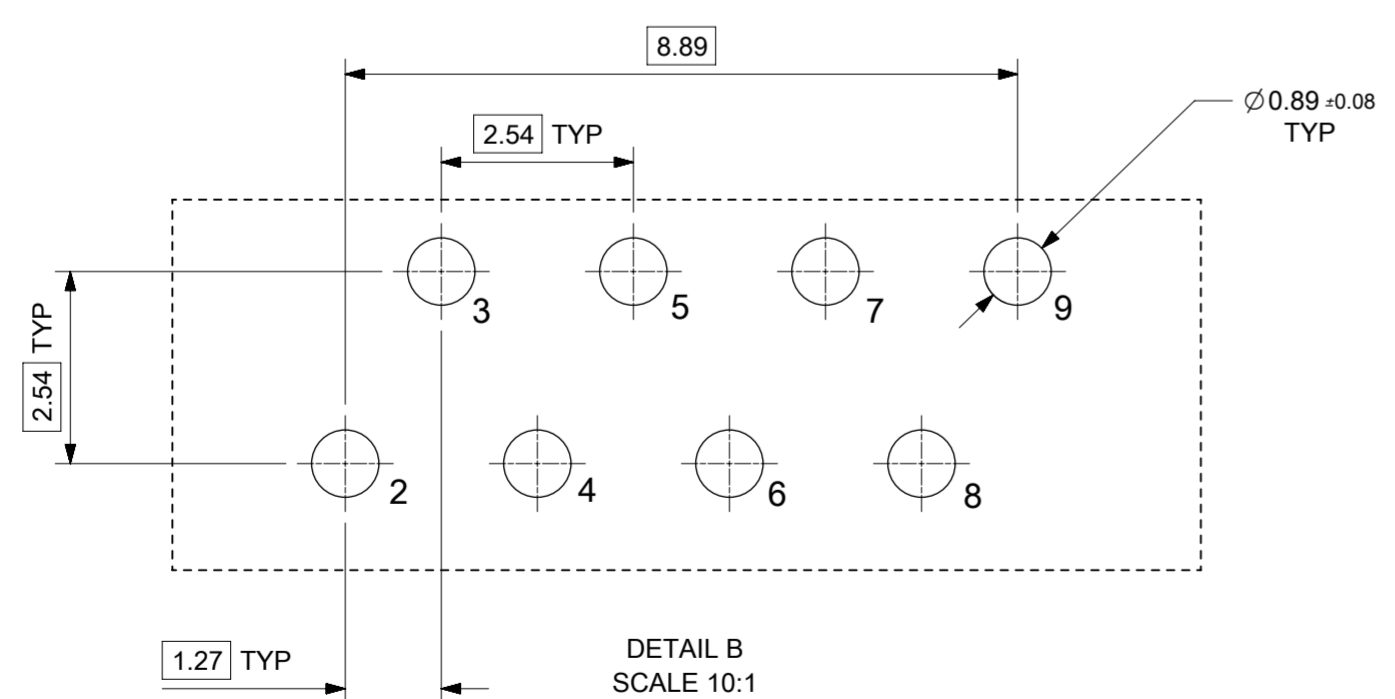
- 1 - SHIELD MATERIAL: 0.17MM THICK BRASS PRE-PLATED WITH NICKEL.
SOLDER TABS POST DIPPED WITH MIN. 1.27µm TIN
- 2 - HOUSING MATERIAL: LCP, BLACK, UL 94V-0.
- 3 - TERMINALS MATERIAL: PHOSPHOR BRONZE.
RJ45 CONTACT PLATING: BASE NICKEL, GOLD FLASH OVER PALLADIUM NICKEL.
PHY SOLDER TAILS: COPPER ALLOY REFER TO 934620001 PSP.
- 4 - MATING INTERFACE ACCORDING TO IEC 60603-7 & TIA-1096-A.
- 5 - PRODUCT SPECIFICATION: 934620001 PSP.
- 6 - PACKAGING SPECIFICATION: 934620002 PSK TAPE & REEL.
- 7 - STAND OFF TO SYSTEM BOARD 0.30 mm MIN.
- 8 - RECOMMENDED PCB THICKNESS: 1.57 mm REF.
- 9 - SHIELD: AVOID ROUTING TRACES
OR PLACING ANY VIAS BELOW THESE AREAS.
- 10 - AREA FOR PICK AND PLACE: 5.0 mm x 8.0 mm
- 11 - INSCRIPTION MARKED BY LASER:
1st : MOLEX
2nd : P/N (SEE BOM)
- 12 - INSCRIPTION MARKED BY LASER:
DATE CODE(DAY/WEEK/YEAR)
- 13 - MATERIAL COMPLIANT TO RoHS DIRECTIVE 2002/95/EC.



THIS DRAWING CONTAINS INFORMATION THAT IS PROPRIETARY TO MOLEX ELECTRONIC TECHNOLOGIES, LLC AND SHOULD NOT BE USED WITHOUT WRITTEN PERMISSION											
UPDATED MAGBOX + 2KV EC NO: 117810 DRWN: SBRENNAN CHKD: DBYRNES APPR: STGRIFFIN	GENERAL TOLERANCES (UNLESS SPECIFIED)		DIMENSION UNITS	SCALE							
	ANGULAR TOL ± 2.0 °		MM	3:1							
	4 PLACES ±	DATE	DSHEA 2016/07/01								
	3 PLACES ±	DATE	CH'D BY DBYRNES 2016/09/19								
2 PLACES ± 0.1	DATE	APPR BY STGRIFFIN 2016/09/23		PRODUCT CUSTOMER DRAWING			SERIES	MATERIAL NUMBER	CUSTOMER		
1 PLACE ± 0.2	DATE	DRAWING SIZE		THIRD ANGLE PROJECTION	93767			SEE TABLE ON SHEET 2	GENERAL MARKET		
0 PLACES ±	DATE	A2		THIRD ANGLE PROJECTION	DOCUMENT NUMBER			937670001	DOC TYPE	DOC PART	SHEET NUMBER
DRAFT WHERE APPLICABLE MUST REMAIN WITHIN DIMENSIONS		A2				937670001			PSD	000	1 OF 3



SUGGESTED BOARD LAYOUT
FAST ETHERNET
VIEW FROM COMPONENT SIDE
ALL DIMS ARE REFERENCE



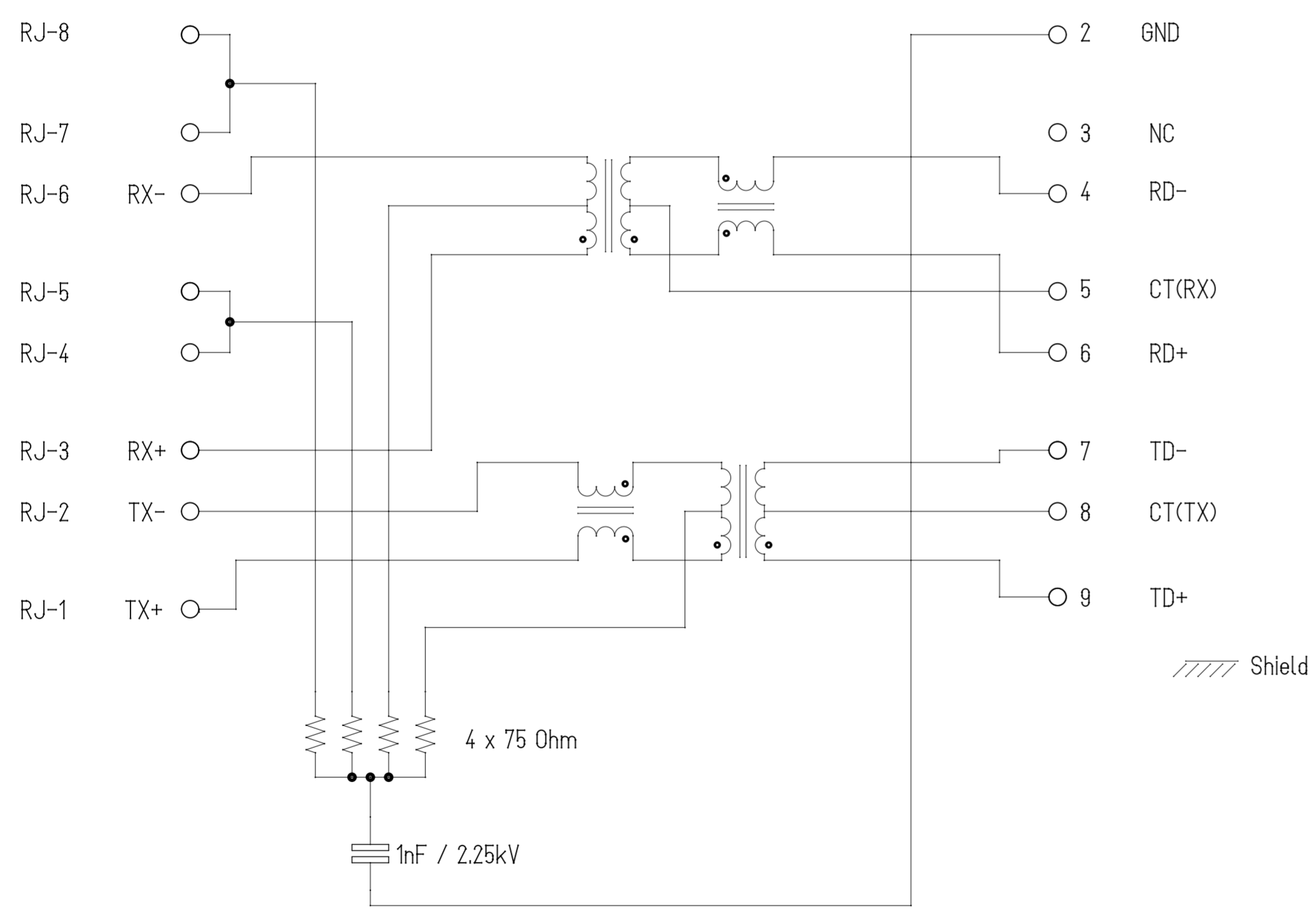
DETAIL B
SCALE 10:1
PIN CONFIGURATION
FOR FAST ETHERNET

PART NUMBER	LEFT LED	RIGHT LED
937678126	GREEN	YELLOW

THIS DRAWING CONTAINS INFORMATION THAT IS PROPRIETARY TO MOLEX ELECTRONIC TECHNOLOGIES, LLC AND SHOULD NOT BE USED WITHOUT WRITTEN PERMISSION														
UPDATED MAGBOX + 2KV EC NO: 117810 DRWN: SBRENNAN CHKD: DBYRNES APPR: STGRIFFIN	2017/06/06		2017/06/12		2017/06/12		GENERAL TOLERANCES (UNLESS SPECIFIED)		DIMENSION UNITS		SCALE			
	MM		5:1		ANGULAR TOL ± 2.0 °		DRWN BY		DATE					
	4 PLACES ±		3 PLACES ±		2 PLACES ± 0.1		1 PLACE ± 0.2		0 PLACES ±				DSHEA 2016/07/01	
	DRAFT WHERE APPLICABLE MUST REMAIN WITHIN DIMENSIONS		A2		THIRD ANGLE PROJECTION		APPR BY		DATE				CHK'D BY	
	DBYRNES		2016/09/19		STGRIFFIN		2016/09/23		DATE				DATE	
	DBYRNES		2016/09/19		STGRIFFIN		2016/09/23		DATE				DATE	
STGRIFFIN		2016/09/23		DATE		DATE		DATE		DATE				
SERIES			MATERIAL NUMBER			CUSTOMER			PRODUCT CUSTOMER DRAWING					
93767			SEE TABLE ON SHEET 2			GENERAL MARKET			1" MXMAG 4 CORE FE IND					
DOCUMENT NUMBER			DOC TYPE			DOC PART			SHEET NUMBER					
937670001			PSD			000			2 OF 3					

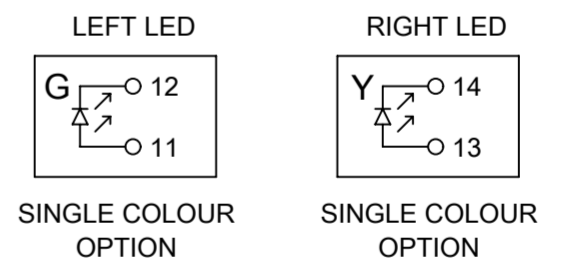
RJ-45 CONTACTS

WIRE-SIDE / RJ-45 ETHERNET MAGNETICS PHY-SIDE / PCB SIDE



ETHERNET TERMINALS

Description	Value	
OCL @100 kHz, 0.1 V, 8 mA DC bias (-40°C TO +85°C)	350 μH min.	
Turns ratio	1CT:1CT	
Transmission characteristics @ 25°C, all four pairs		
Insertion Loss		
Frequency (MHz)	Limits (dB max.)	Typical Values (dB max.)
1.0-9.9 MHz	0.4+0.1*log(F)	0.5 @ 10 MHz
10-49.9 MHz	0.5+0.3*log(F/10)	0.7 @ 50 MHz
50-79.9 MHz	1+1.4*log(F/80)	1.0 @ 80 MHz
80-100 MHz	1.3+3*log(F/100)	1.3 @ 100 MHz
Return Loss		
Frequency (MHz)	Limits (dB min.)	Typical Values (dB min.)
1.0-39.9 MHz	18	18 @ 40 MHz
40-100 MHz	12-20*log(F/80)	10 @ 100 MHz
CMR		
Frequency (MHz)	Limits (dB min.)	Typical Values (dB min.)
1.0-100 MHz	30	30 @ 100 MHz
Next		
Frequency (MHz)	Limits (dB min.)	Typical Values (dB min.)
1.0-39.9 MHz	35	35 @ 40 MHz
40-100 MHz	33-20*log(F/50)	27 @ 100 MHz
Isolation PHY to wire side	2.25 kVDC / 60 s	



THIS DRAWING CONTAINS INFORMATION THAT IS PROPRIETARY TO MOLEX ELECTRONIC TECHNOLOGIES, LLC AND SHOULD NOT BE USED WITHOUT WRITTEN PERMISSION

EC NO: 117810 DRWN: SBRENNAN CHK'D: DBYRNES REV / APPR: STGRIFFIN	GENERAL TOLERANCES (UNLESS SPECIFIED)	DIMENSION UNITS MM	SCALE 1:1			
	ANGULAR TOL ± 2.0 °	DRWN BY DSHEA	DATE 2016/07/01		1" MXMAG 4 CORE FE IND	
	4 PLACES ±	CHK'D BY DBYRNES	DATE 2016/09/19			PRODUCT CUSTOMER DRAWING
	3 PLACES ±	APPR BY STGRIFFIN	DATE 2016/09/23			
2 PLACES ± 0.1	DRAWING SIZE A2	THIRD ANGLE PROJECTION	SERIES 93767	MATERIAL NUMBER SEE TABLE ON SHEET 2		CUSTOMER GENERAL MARKET
1 PLACE ± 0.2	DRAFT WHERE APPLICABLE MUST REMAIN WITHIN DIMENSIONS		DOCUMENT NUMBER 937670001	DOC TYPE PSD	DOC PART 000	SHEET NUMBER 3 OF 3
0 PLACES ±						