



Chipsmall Limited consists of a professional team with an average of over 10 year of expertise in the distribution of electronic components. Based in Hongkong, we have already established firm and mutual-benefit business relationships with customers from,Europe,America and south Asia,supplying obsolete and hard-to-find components to meet their specific needs.

With the principle of “Quality Parts,Customers Priority,Honest Operation,and Considerate Service”,our business mainly focus on the distribution of electronic components. Line cards we deal with include Microchip,ALPS,ROHM,Xilinx,Pulse,ON,Everlight and Freescale. Main products comprise IC,Modules,Potentiometer,IC Socket,Relay,Connector.Our parts cover such applications as commercial,industrial, and automotives areas.

We are looking forward to setting up business relationship with you and hope to provide you with the best service and solution. Let us make a better world for our industry!



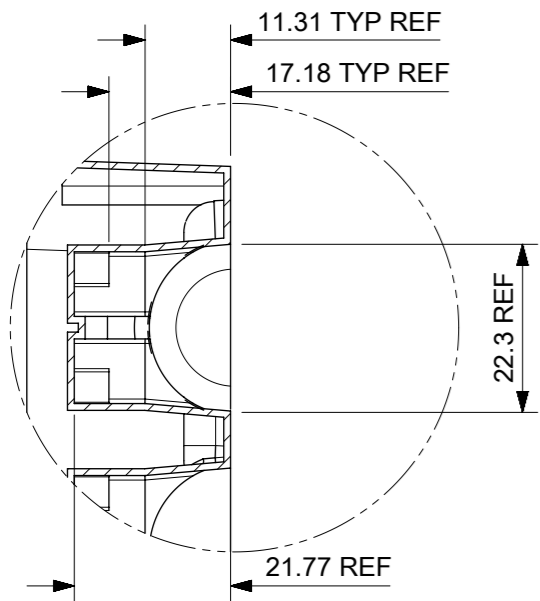
Contact us

Tel: +86-755-8981 8866 Fax: +86-755-8427 6832

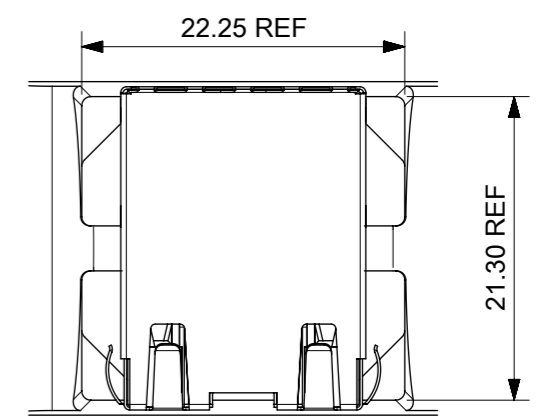
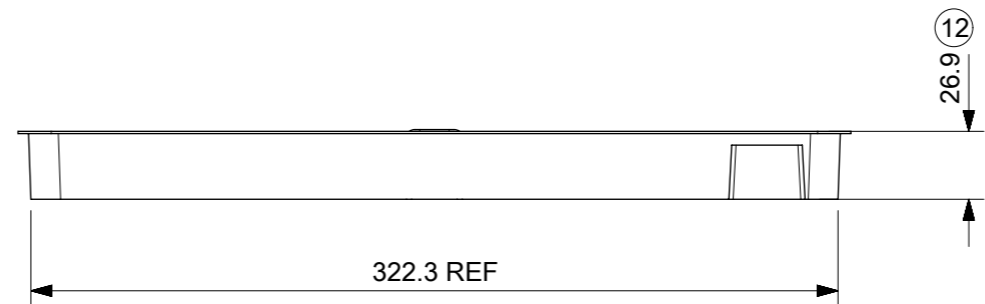
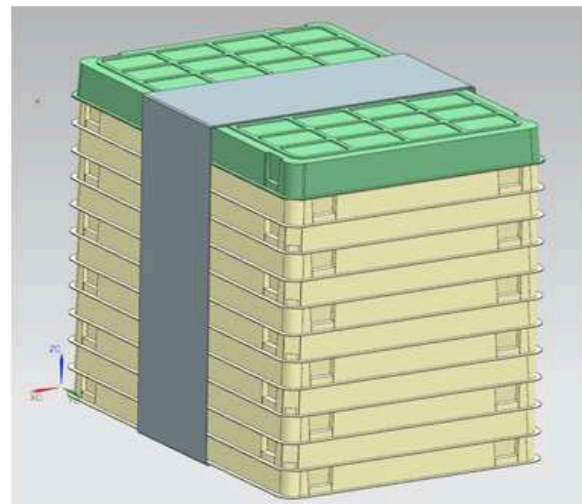
Email & Skype: info@chipsmall.com Web: www.chipsmall.com

Address: A1208, Overseas Decoration Building, #122 Zhenhua RD., Futian, Shenzhen, China

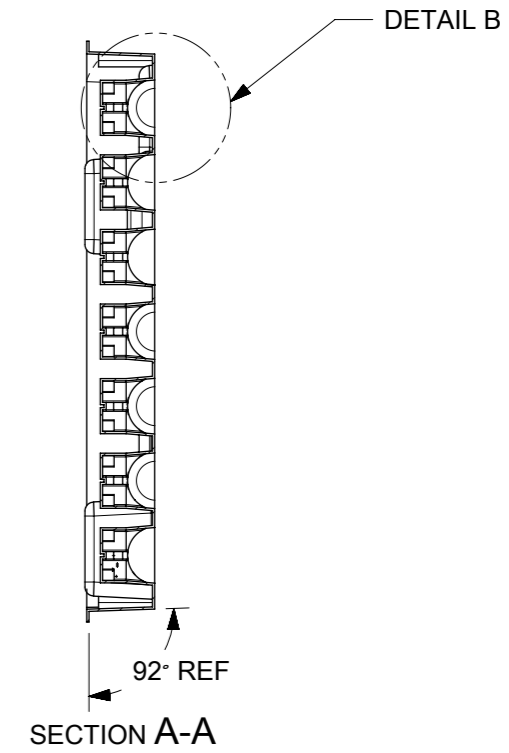
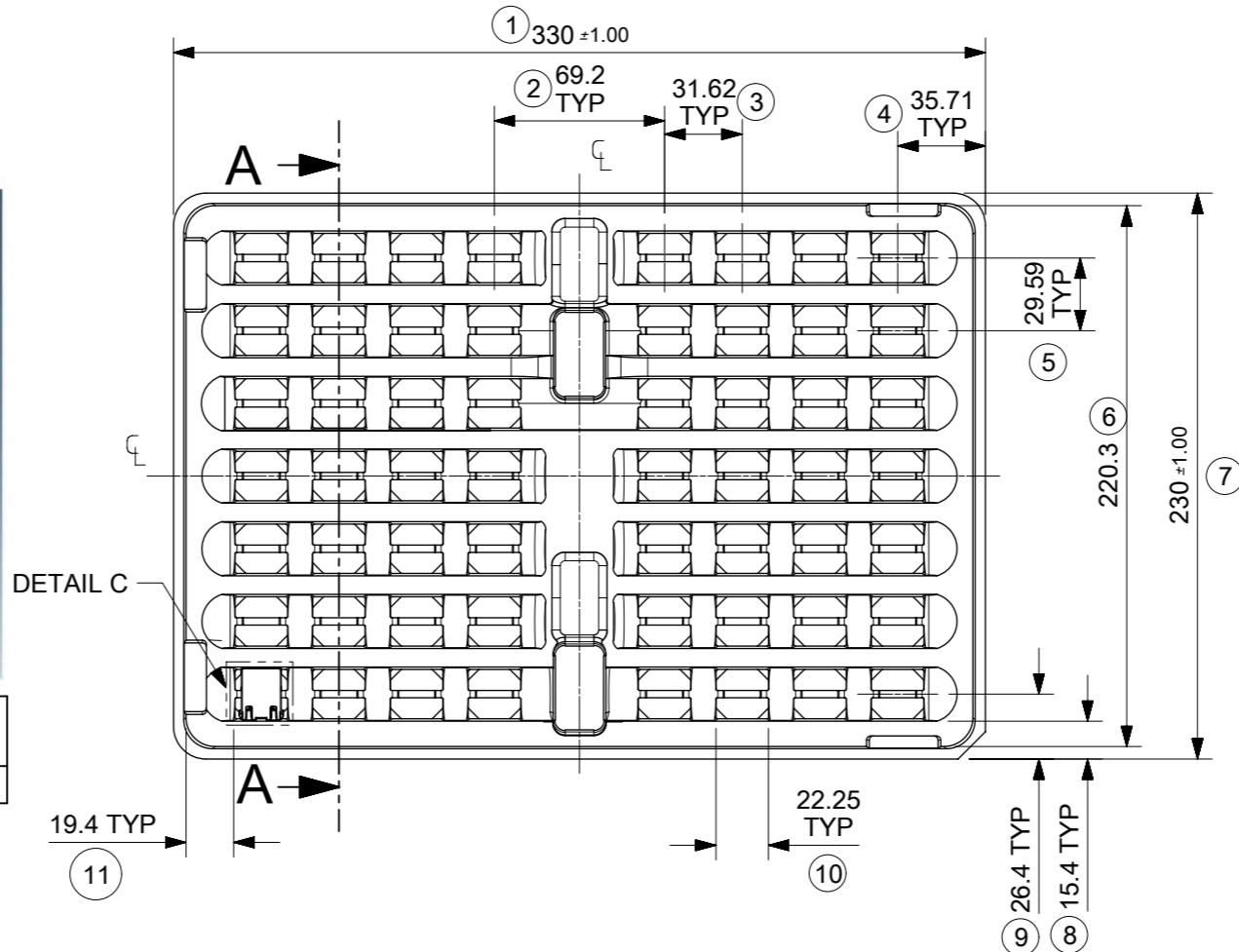




DETAIL B



DETAIL C
SCALE 2:1



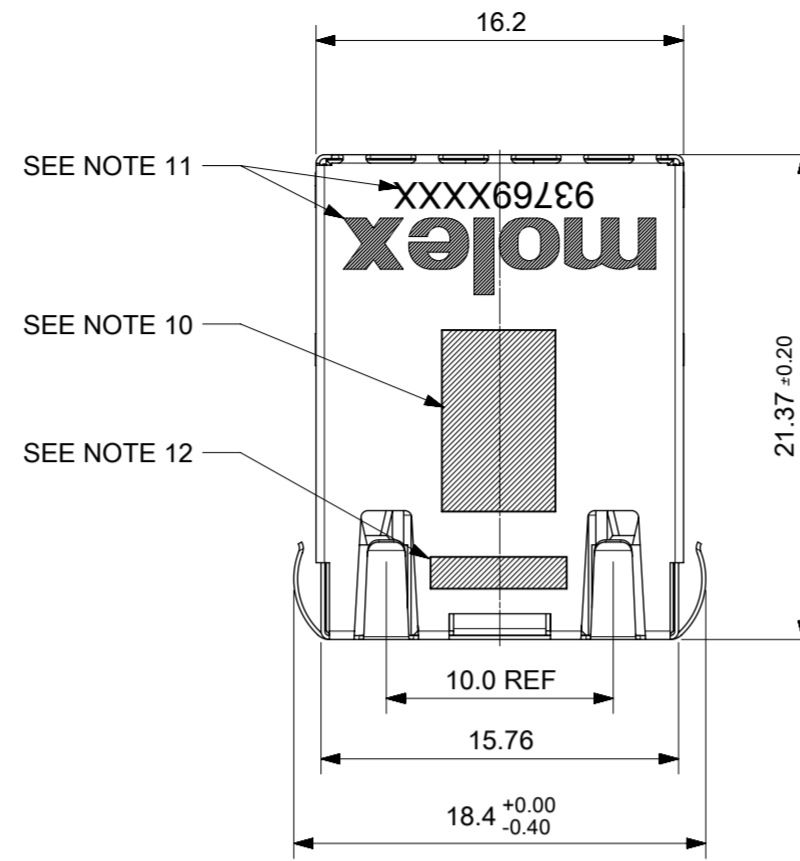
VERSION	QUANTITY PER TRAY	QUANTITY OF TRAYS PER BOX	QUANTITY PER BOX	QUANTITY PER PALLET
0.85" VERSION	56	12	672	18,144

- NOTES:
- MATERIAL: PETA ANTISTATIC
 - THICKNESS: 0.9mm ±0.05mm
 - COLOUR: CLEAR
 - BOW 2mm MAXIMUM PER 330mm
 - TWIST 2mm MAXIMUM PER 330mm
 - TRAY PART NO. AND RECYCLE LOGO TO BE CLEARLY MARKED ON TRAY
RECYCLE LOGO SHOULD BE APPROPRIATE TO MATERIAL USED
 - WHERE RELEVANT, DIMENSIONS SHOULD BE SYMMETRICAL ABOUT THE CENTRELINE
 - GENERAL PROFILE TOLERANCE $\overline{\cup}$ 0.40 ON NON DIMENSIONED FEATURES

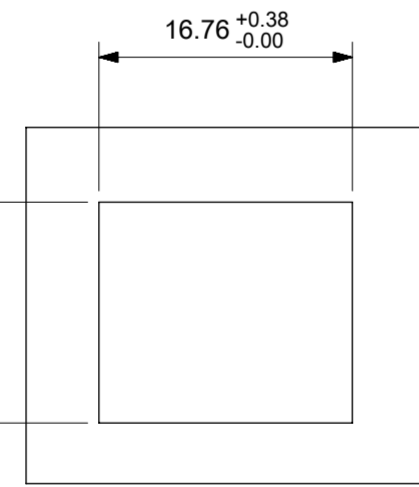
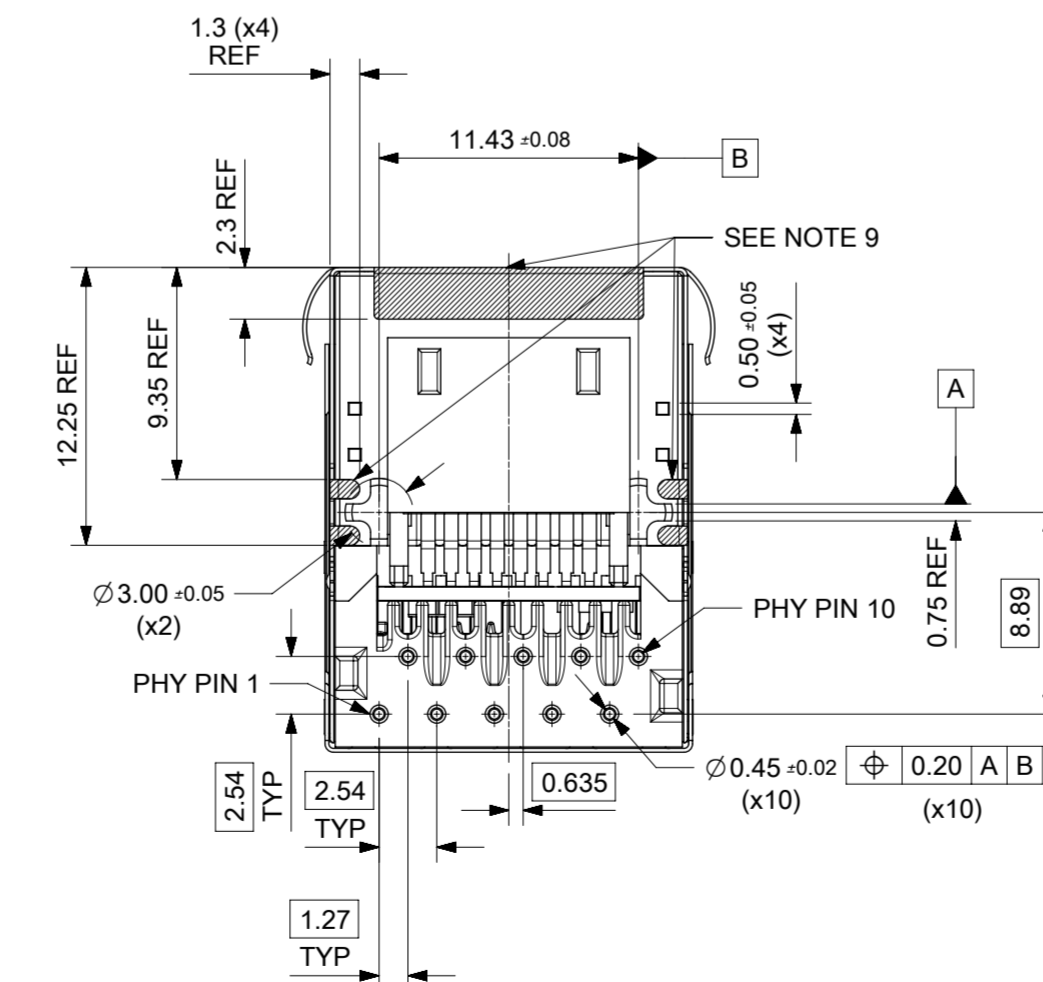
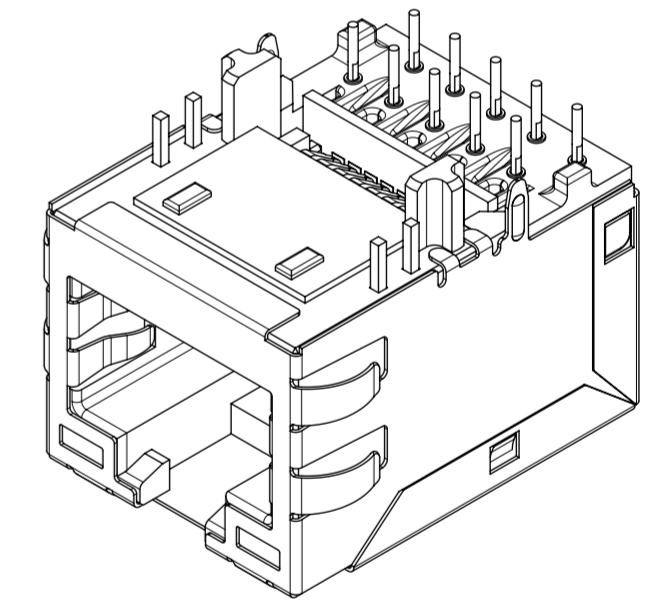
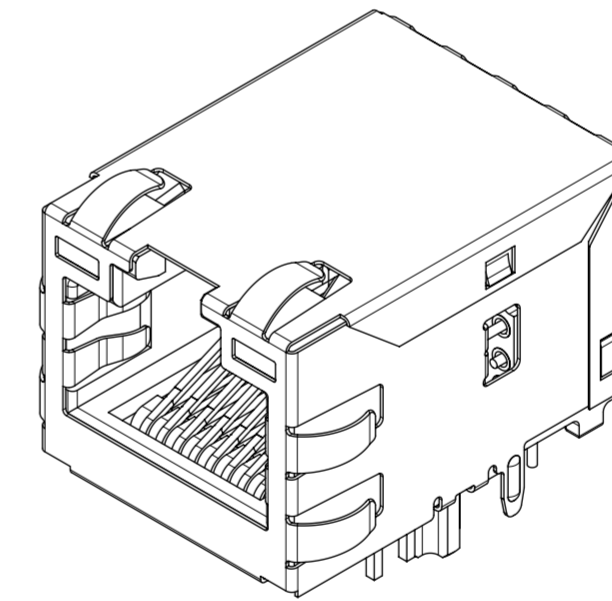
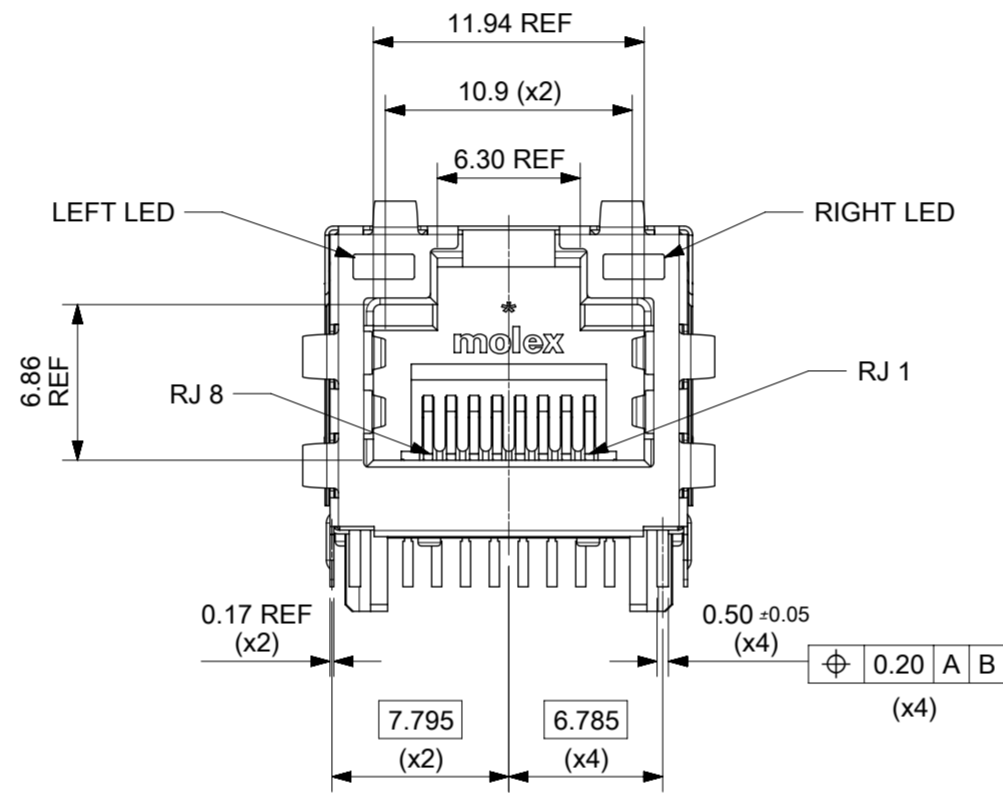
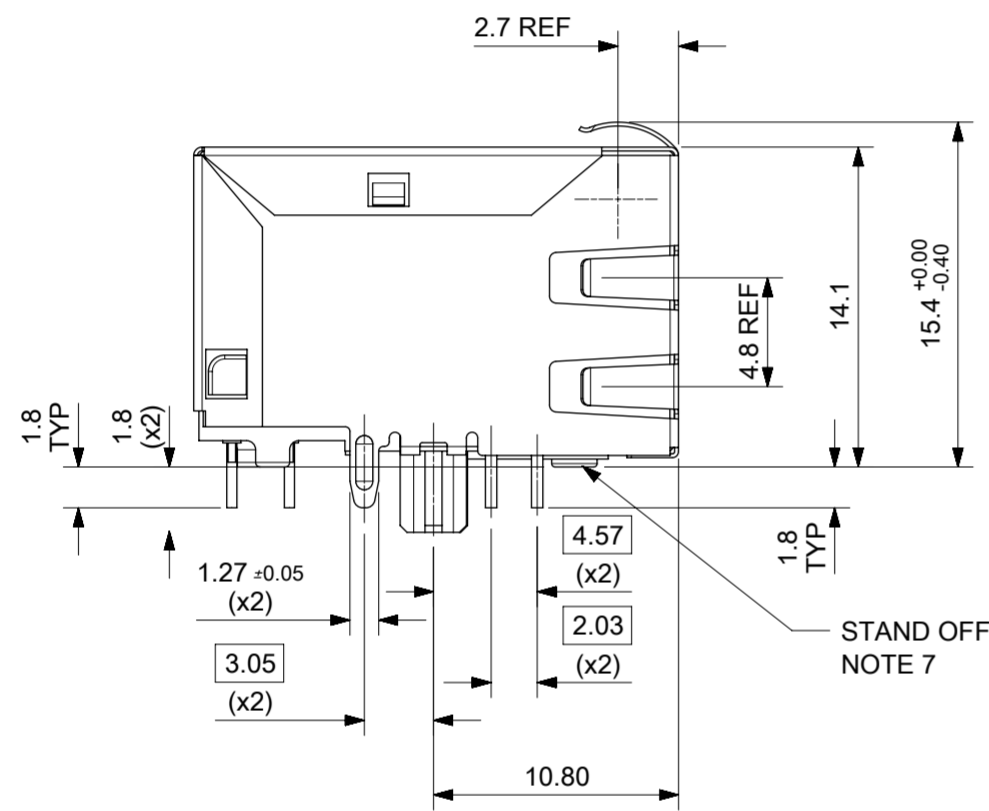
LAST INSPECTION NUMBER USED: 12

THIS DRAWING CONTAINS INFORMATION THAT IS PROPRIETARY TO MOLEX ELECTRONIC TECHNOLOGIES, LLC AND SHOULD NOT BE USED WITHOUT WRITTEN PERMISSION														
QUALITY SYMBOLS FA = 0 FE = 0 FB = 0 FC = 0 FD = 0 FE = 0 FF = 0 FG = 0 FH = 0 FI = 0 FJ = 0 FK = 0 FL = 0	ORIGINAL RELEASE EC NO: 109024 DRWN: DALLENO1 CHK'D: DALLENO1 APPR: STGRIFFIN		2016/10/04 2016/12/07 2016/12/07		GENERAL TOLERANCES (UNLESS SPECIFIED) ANGULAR TOL ± 1.0 ° 4 PLACES ± 3 PLACES ± 2 PLACES ± 0.2 1 PLACE ± 0.5 0 PLACES ±		DIMENSION UNITS: MM SCALE: 1:3					MXMAG STANDARD AND INVERTED TRAY		
	DRWN BY: KREILLY DATE: 2016/05/06		CHK'D BY: [blank] DATE: [blank]		DRAFT WHERE APPLICABLE MUST REMAIN WITHIN DIMENSIONS		DRAWING SIZE: A3 THIRD ANGLE PROJECTION							
	SERIES: 93462		MATERIAL NUMBER: 990250150		CUSTOMER: GENERAL MARKET			DOCUMENT NUMBER: 934620003			DOC TYPE: PSD	DOC PART: K	SHEET NUMBER: 1 OF 1	
	RELEASE STATUS: P1 RELEASE DATE: 07.12.2016 13:31:26													

INVERTED PROFILE MAGNETIC JACK
GIGABIT ETHERNET W/LED
AND W/SHIELD TABS
PIN IN PASTE CAPABLE

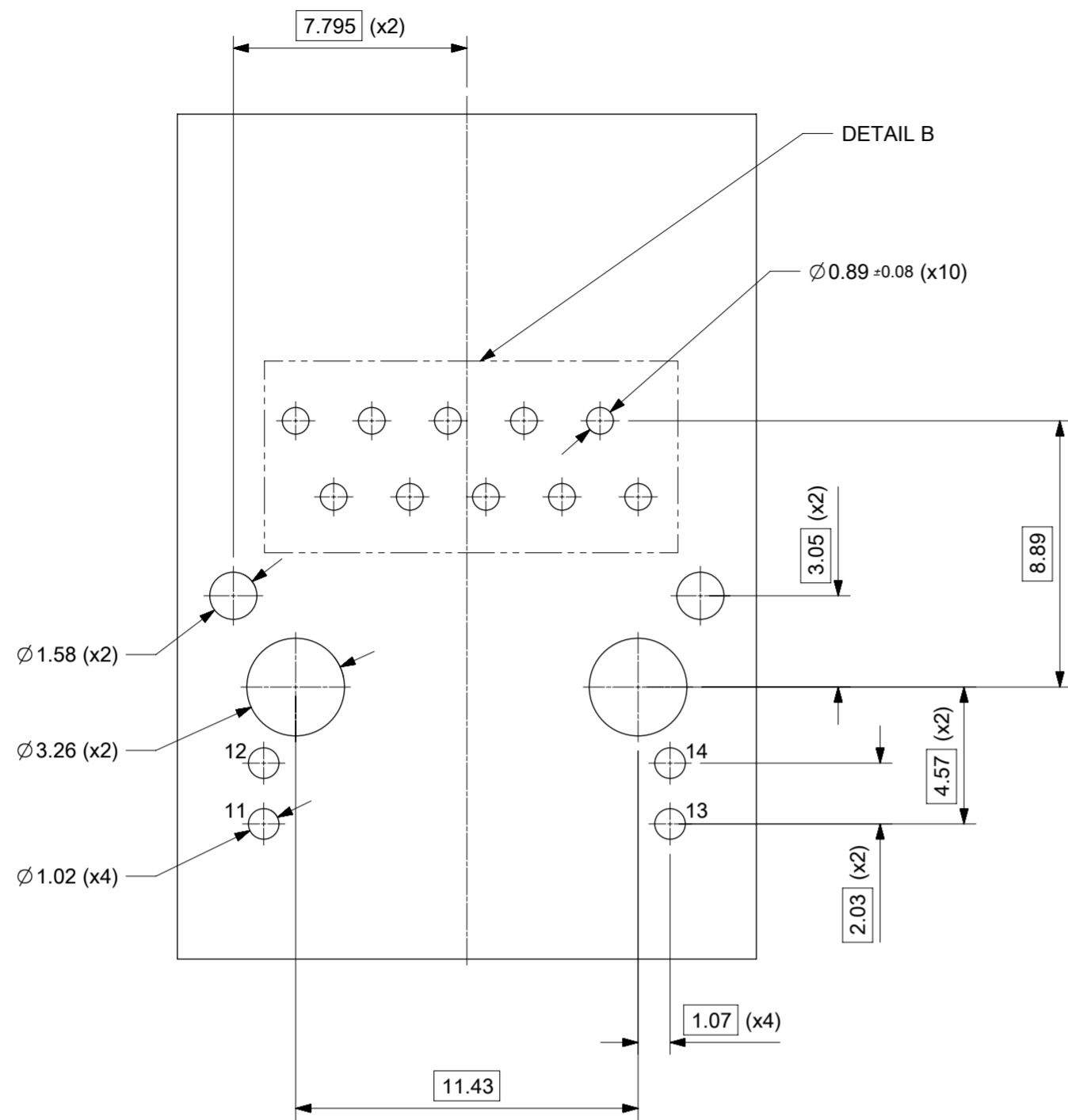


- NOTES:
- SHIELD MATERIAL: 0.17 mm THICK BRASS PRE-PLATED WITH NICKEL
SOLDER TABS POST DIPPED WITH MIN 1.27 μm TIN.
 - HOUSING MATERIAL: LCP, BLACK, UL 94V-0
 - TERMINALS MATERIAL: PHOSPHOR BRONZE
RJ45 CONTACTS PLATING: BASE NICKEL PLATED WITH GOLD
FLASH OVER PALLADIUM NICKEL. REFER TO 934620001 PSP
PHY SOLDER TAILS: COPPER ALLOY
 - MATING INTERFACE ACCORDING TO IEC 60603-7 & TIA-1096-A
 - PRODUCT SPECIFICATION: 934620001 PSP
 - PACKAGING SPECIFICATION: 934620002 PSK T&R
 - STAND OFF TO SYSTEM BOARD 0.30 mm MIN
 - RECOMMENDED PCB THICKNESS: 1.57 mm
 - SHIELD: AVOID ROUTING TRACES
OR PLACING ANY VIAS BELOW THESE AREAS
 - AREA FOR PICK AND PLACE: 5.0 mm X 8.0 mm
 - INSCRIPTION MARKED BY LASER:
1st : MOLEX
2nd : P/N (SEE BOM)
 - INSCRIPTION MARKED BY LASER:
DATE CODE(DAY/WEEK/YEAR)
 - MATERIAL COMPLIANT TO RoHS DIRECTIVE 2002/95/EC

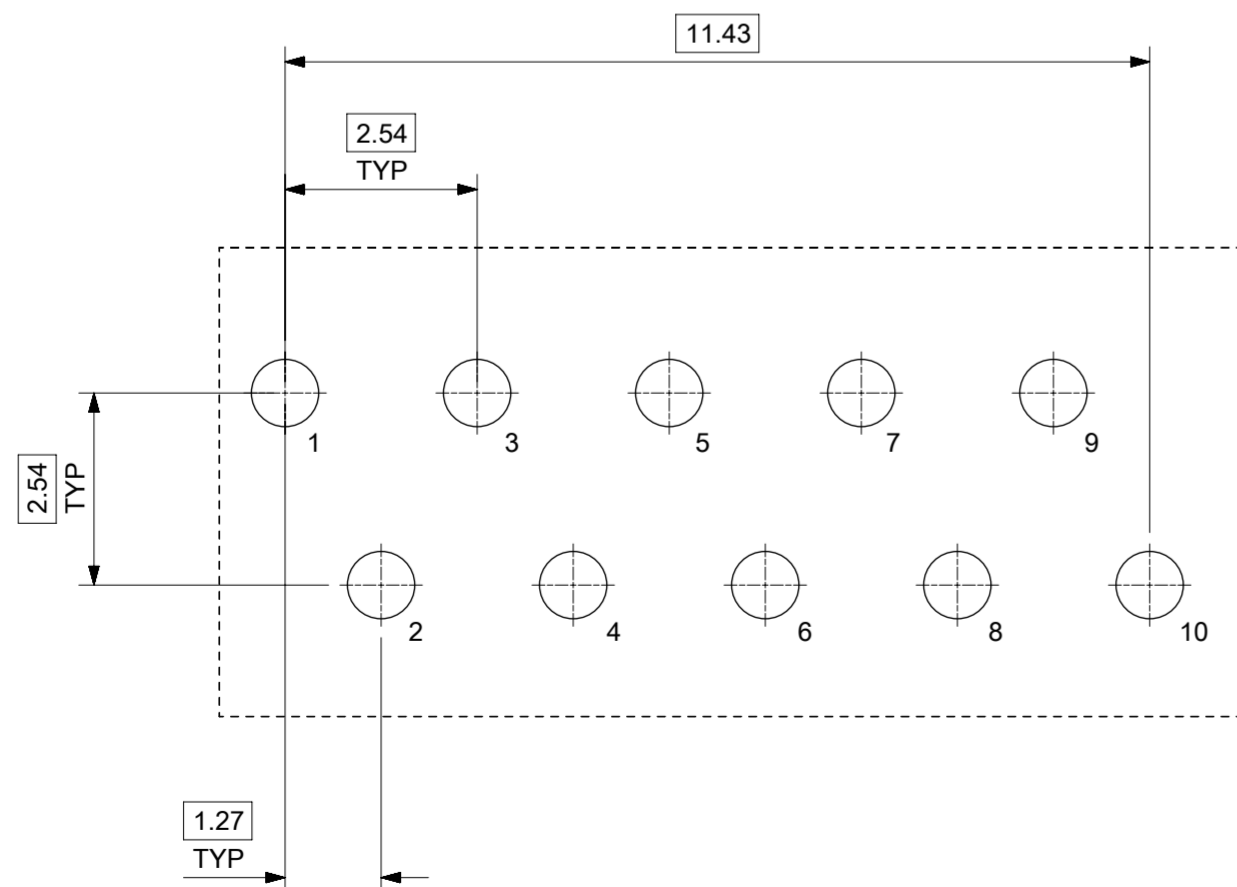


SUGGESTED PANEL CUT-OUT

THIS DRAWING CONTAINS INFORMATION THAT IS PROPRIETARY TO MOLEX ELECTRONIC TECHNOLOGIES, LLC AND SHOULD NOT BE USED WITHOUT WRITTEN PERMISSION		GENERAL TOLERANCES (UNLESS SPECIFIED)		DIMENSION UNITS	SCALE	molex		
		mm		3:1	INV PRO MXMAG 8 CORE GIG W/LED W/EMI PIP			
REVISED	EC NO: 116686	DRWN: DBYRNES	CHKD: DSHEA	APPR: DBYRNES	DRWN BY	DATE	PRODUCT CUSTOMER DRAWING	
	2017/04/12	2017/09/12	2017/09/12	2017/09/26	KREILLY	2016/03/14		
	4 PLACES	±			CH'D BY	DATE		
	3 PLACES	±			DBYRNES	2016/05/24		
	2 PLACES	±	0.1		APPR BY	DATE		
1 PLACE	±	0.2		STGRIFFIN	2016/06/08	SERIES	MATERIAL NUMBER	CUSTOMER
0 PLACES	±					93769	SEE TABLE ON SHEET 2	GENERAL MARKET
DRAFT WHERE APPLICABLE MUST REMAIN WITHIN DIMENSIONS		DRAWING SIZE		THIRD ANGLE PROJECTION		DOCUMENT NUMBER		
A2		A2		THIRD ANGLE PROJECTION		937690001		
						DOC TYPE		DOC PART SHEET NUMBER
						PSD		000 1 OF 3



SUGGESTED BOARD LAYOUT
GIGABIT VERSION
COMPONENT SIDE
ALL DIMS REFERENCE DIMS



DETAIL B
SCALE 10:1
PIN CONFIGURATION
FOR GIGABIT VERSION

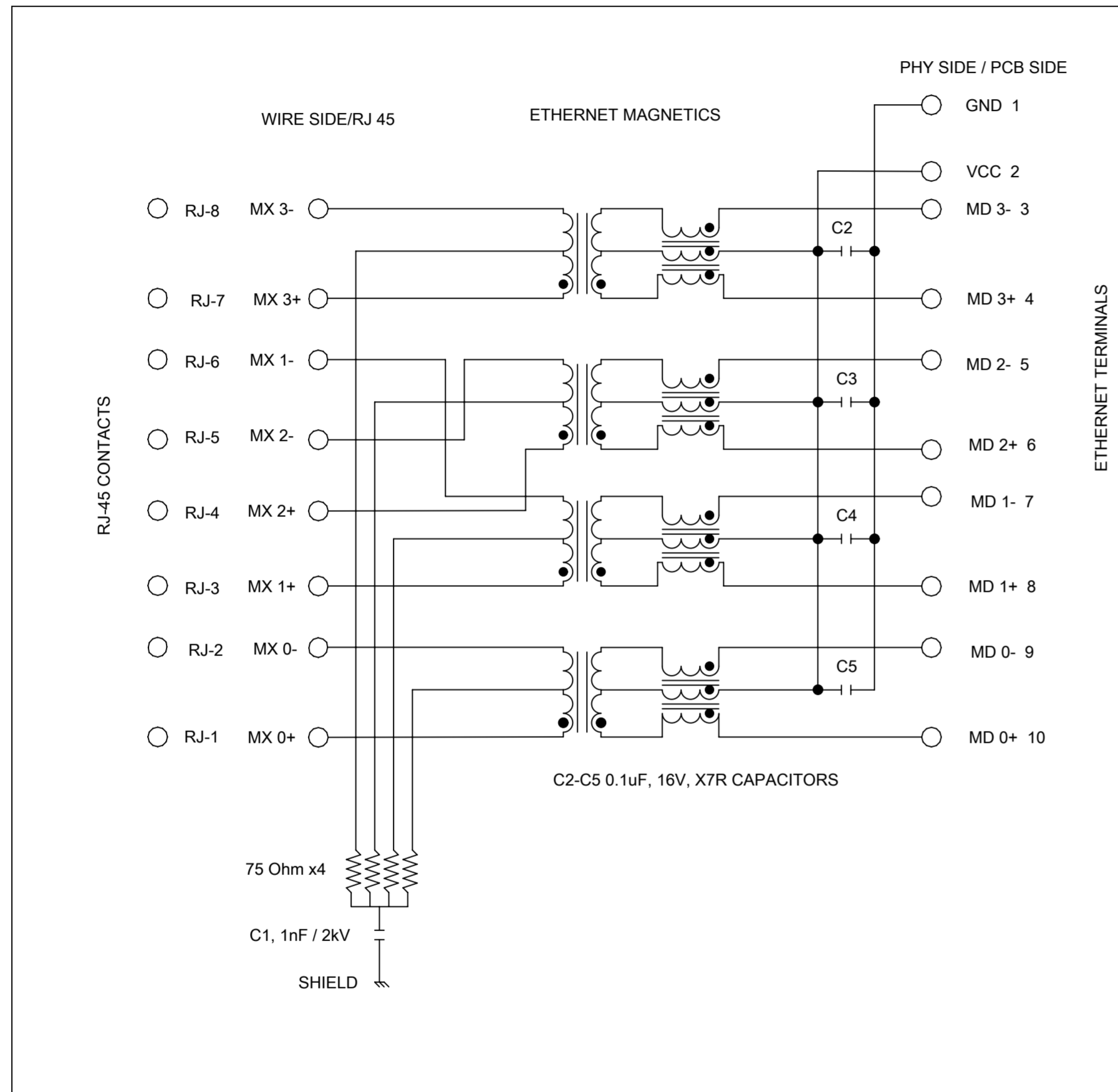
PART NUMBER	LEFT LED	RIGHT LED
937698628	GREEN/YELLOW	GREEN/YELLOW

THIS DRAWING CONTAINS INFORMATION THAT IS PROPRIETARY TO MOLEX ELECTRONIC TECHNOLOGIES, LLC AND SHOULD NOT BE USED WITHOUT WRITTEN PERMISSION			
EC NO: 116686 DRWN: DBYRNES CHKD: DSHEA REV APPR: DBYRNES	2017/04/12	2017/09/12	2017/09/26
	GENERAL TOLERANCES (UNLESS SPECIFIED)		DIMENSION UNITS
	ANGULAR TOL ± 2.0 °		SCALE
	4 PLACES ±		mm
	3 PLACES ±		5:1
3 PLACES ±		DRWN BY	DATE
2 PLACES ± 0.1		KREILLY	2016/03/14
1 PLACE ± 0.2		CHK'D BY	DATE
0 PLACES ±		DBYRNES	2016/05/24
DRAFT WHERE APPLICABLE MUST REMAIN WITHIN DIMENSIONS		APPR BY	DATE
A2		STGRIFFIN	2016/06/08
DRAWING SIZE		THIRD ANGLE PROJECTION	
A2			
C		SERIES: 93769 MATERIAL NUMBER: SEE TABLE CUSTOMER: GENERAL MARKET	
RELEASE STATUS: P1		DOCUMENT NUMBER: 937690001	
RELEASE DATE: 26.09.2017 10:55:54		DOC TYPE: PSD	
		DOC PART: 000	
		SHEET NUMBER: 2 OF 3	

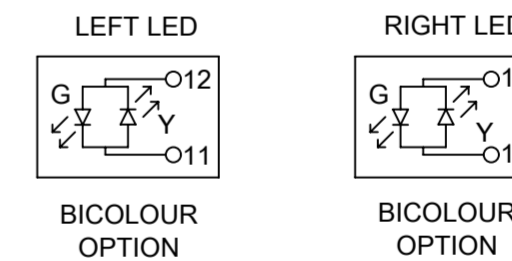
molex

INV PRO MXMAG 8 CORE GIG W/LED W/EMI PIP

PRODUCT CUSTOMER DRAWING



Description	Value	
OCL @100 kHz, 0.1 V 8 mA DC bias (-40°C to +85°C)	350 µH min.	
Turns ratio	1CT:1CT	
Transmission characteristics @ 25°C, all four pairs		
Insertion Loss		
Frequency f, (MHz)	Limits (dB max.)	Typical Values (dB max.)
1.0-9.9	0.4+0.1*log(f)	0.5 @ 10 MHz
10-49.9	0.5+0.3*log(f/10)	0.7 @ 50 MHz
50-79.9	1+1.4*log(f/80)	1.0 @ 80 MHz
80-100	1.3+3*log(f/100)	1.3 @ 100 MHz
Return Loss		
Frequency f, (MHz)	Limits (dB min.)	Typical Values (dB min.)
1.0-39.9	18	18 @ 40 MHz
40-100	12-20*log(f/80)	10 @ 100 MHz
CMR		
Frequency f, (MHz)	Limits (dB min.)	Typical Values (dB min.)
1.0-100	30	30 @ 100 MHz
Next		
Frequency f, (MHz)	Limits (dB min.)	Typical Values (dB min.)
1.0-39.9	35	35 @ 40 MHz
40-100	33-20*log(f/50)	27 @ 100 MHz
Isolation PHY to wire side	2.25 kVDC/60sec	



937698628

THIS DRAWING CONTAINS INFORMATION THAT IS PROPRIETARY TO MOLEX ELECTRONIC TECHNOLOGIES, LLC AND SHOULD NOT BE USED WITHOUT WRITTEN PERMISSION

REVISED EC NO: 116686 DRWN: DBYRNES CHKD: DSHEA REV / APPR: DBYRNES	2017/04/12 2017/09/12 2017/09/26	GENERAL TOLERANCES (UNLESS SPECIFIED) mm ANGULAR TOL ± 2.0 °	DIMENSION UNITS mm SCALE 1:1				
	4 PLACES ± 3 PLACES ± 2 PLACES ± 0.1 1 PLACE ± 0.2 0 PLACES ±	DRWN BY KREILLY DATE 2016/03/14	CHK'D BY DBYRNES DATE 2016/05/24		INV PRO MXMAG 8 CORE GIG W/LED W/EMI PIP		
	DRAFT WHERE APPLICABLE MUST REMAIN WITHIN DIMENSIONS	APPR BY STGRIFFIN DATE 2016/06/08	DRAWING SIZE A2 THIRD ANGLE PROJECTION	PRODUCT CUSTOMER DRAWING			
	C	SERIES 93769	MATERIAL NUMBER SEE TABLE ON SHEET 2	CUSTOMER GENERAL MARKET	DOCUMENT NUMBER 937690001	DOC TYPE PSD	DOC PART 000