



Chipsmall Limited consists of a professional team with an average of over 10 year of expertise in the distribution of electronic components. Based in Hongkong, we have already established firm and mutual-benefit business relationships with customers from,Europe,America and south Asia,supplying obsolete and hard-to-find components to meet their specific needs.

With the principle of “Quality Parts,Customers Priority,Honest Operation,and Considerate Service”,our business mainly focus on the distribution of electronic components. Line cards we deal with include Microchip,ALPS,ROHM,Xilinx,Pulse,ON,Everlight and Freescale. Main products comprise IC,Modules,Potentiometer,IC Socket,Relay,Connector.Our parts cover such applications as commercial,industrial, and automotives areas.

We are looking forward to setting up business relationship with you and hope to provide you with the best service and solution. Let us make a better world for our industry!



## Contact us

Tel: +86-755-8981 8866 Fax: +86-755-8427 6832

Email & Skype: info@chipsmall.com Web: www.chipsmall.com

Address: A1208, Overseas Decoration Building, #122 Zhenhua RD., Futian, Shenzhen, China




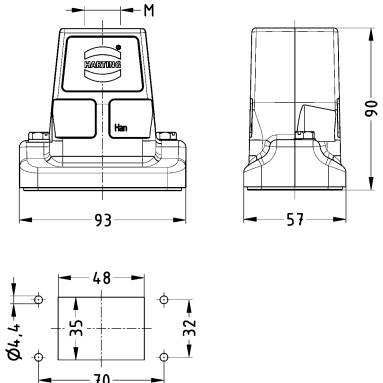

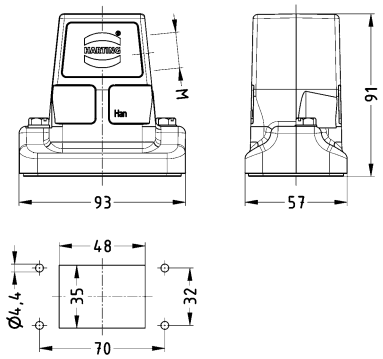

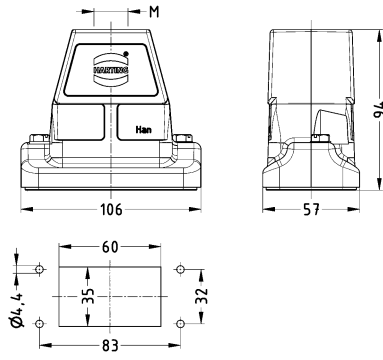

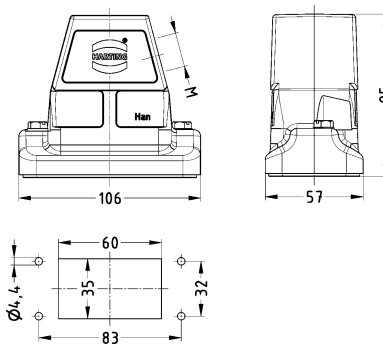



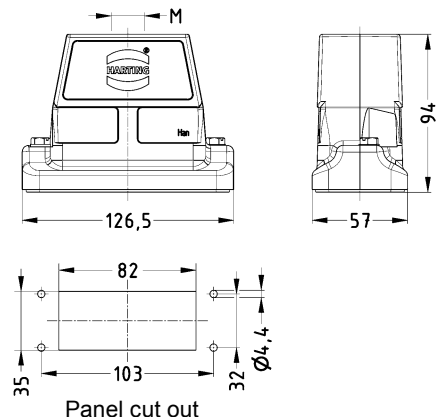

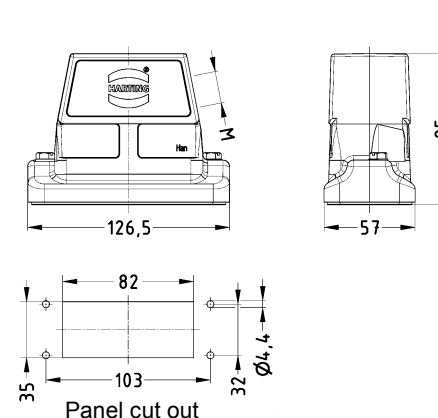

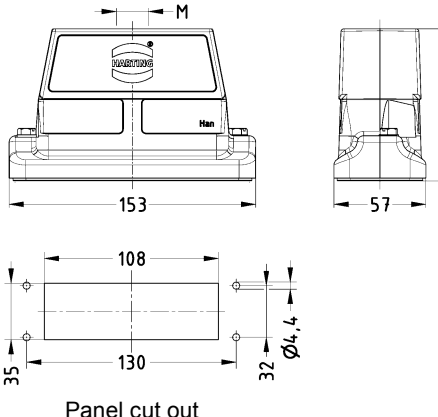

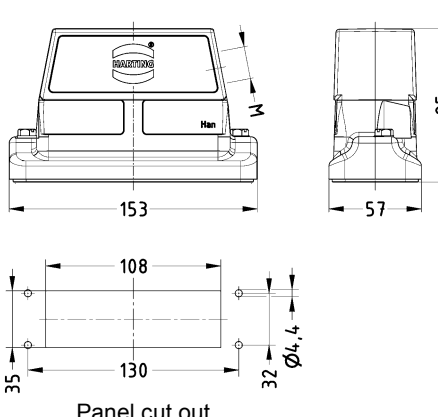
## Features


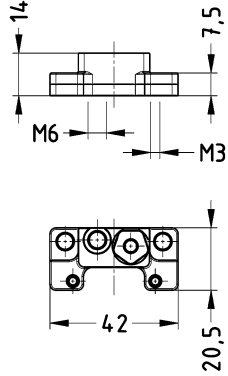

- System of hoods without using a bulkhead mounted housing on the device side
- Hoods in sizes 6 B, 10 B, 16 B and 24 B
- Suitable for all inserts Han® B
- Top and side entry ranging from M20 to M40 for all sizes
- Optional coding by means of two coding elements
- Panel cut-outs compatible with standard Han® B panel cut-outs
- High EMC resistance

## Technical characteristics

Specifications	DIN EN 61984 DIN EN 60664-1
<b>Hoods</b>	
Material	aluminium die-cast
Colour	unpainted
Surface	
- top coat	electrically conductive
<b>Locking element</b>	
Screw locking	M6
Material	stainless steel
Tightening torque	4 Nm
Hoods seal	NBR (conductive)
<b>Mounting flange</b>	
Material	zinc die-cast
Colour	unpainted
Surface	electrically conductive
<b>Coding element</b>	
Material	polycarbonate
Color	red
Limiting temperatures	-40 °C ... +125 °C
Protection degree acc. to DIN EN 60529 in locked position	IP66 / IP68 / IP69K

Identification	Part number	Cable entry	Drawing	Dimensions in mm
<p>Han® 6 HP Direct EMC</p> <p>Hoods top entry</p> 	<p>19 39 806 0445 19 39 806 0446 19 39 806 0447 19 39 806 0448</p>	<p>M20 M25 M32 M40</p>	 <p>Panel cut out</p>	
<p>Han® 6 HP Direct EMC</p> <p>Hoods side entry</p> 	<p>19 39 806 0545 19 39 806 0546 19 39 806 0547 19 39 806 0548</p>	<p>M20 M25 M32 M40</p>	 <p>Panel cut out</p>	
<p>Han® 10 HP Direct EMC</p> <p>Hoods top entry</p> 	<p>19 39 810 0445 19 39 810 0446 19 39 810 0447 19 39 810 0448</p>	<p>M20 M25 M32 M40</p>	 <p>Panel cut out</p>	
<p>Han® 10 HP Direct EMC</p> <p>Hoods side entry</p> 	<p>19 39 810 0545 19 39 810 0546 19 39 810 0547 19 39 810 0548</p>	<p>M20 M25 M32 M40</p>	 <p>Panel cut out</p>	

Identification	Part number	Cable entry	Drawing	Dimensions in mm
<p>Han® 16 HP Direct M EMC</p> <p>Hoods top entry</p> 	<p>19 39 816 0445 19 39 816 0446 19 39 816 0447 19 39 816 0448</p>	<p>M20 M25 M32 M40</p>	 <p>Panel cut out</p>	
<p>Han® 16 HP Direct MEMC</p> <p>Hoods side entry</p> 	<p>19 39 816 0545 19 39 816 0546 19 39 816 0547 19 39 816 0548</p>	<p>M20 M25 M32 M40</p>	 <p>Panel cut out</p>	
<p>Han® 24 HP Direct EMC</p> <p>Hoods top entry</p> 	<p>19 39 824 0445 19 39 824 0446 19 39 824 0447 19 39 824 0448</p>	<p>M20 M25 M32 M40</p>	 <p>Panel cut out</p>	
<p>Han® 24 HP Direct EMC</p> <p>Hoods side entry</p> 	<p>19 39 824 0545 19 39 824 0546 19 39 824 0547 19 39 824 0548</p>	<p>M20 M25 M32 M40</p>	 <p>Panel cut out</p>	

Identification	Part number	Drawing	Dimensions in mm
<p><b>Mounting flanges</b> Set of 2 pieces</p> 	<p>09 39 000 9902</p>		
<p><b>Coding elements</b> Set of 4 pieces</p> 	<p>09 39 000 9903</p>	