



Chipsmall Limited consists of a professional team with an average of over 10 year of expertise in the distribution of electronic components. Based in Hongkong, we have already established firm and mutual-benefit business relationships with customers from,Europe,America and south Asia,supplying obsolete and hard-to-find components to meet their specific needs.

With the principle of “Quality Parts,Customers Priority,Honest Operation,and Considerate Service”,our business mainly focus on the distribution of electronic components. Line cards we deal with include Microchip,ALPS,ROHM,Xilinx,Pulse,ON,Everlight and Freescale. Main products comprise IC,Modules,Potentiometer,IC Socket,Relay,Connector.Our parts cover such applications as commercial,industrial, and automotives areas.

We are looking forward to setting up business relationship with you and hope to provide you with the best service and solution. Let us make a better world for our industry!



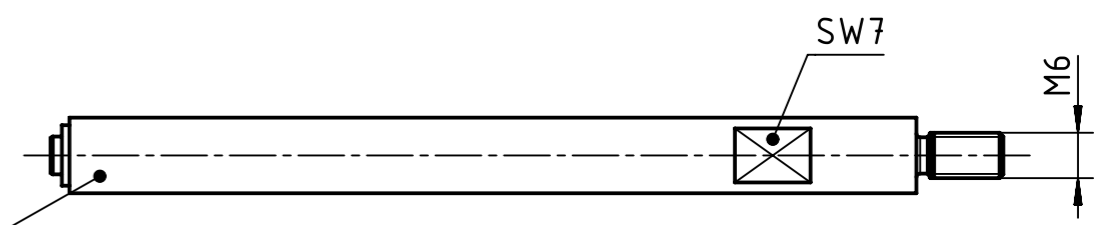
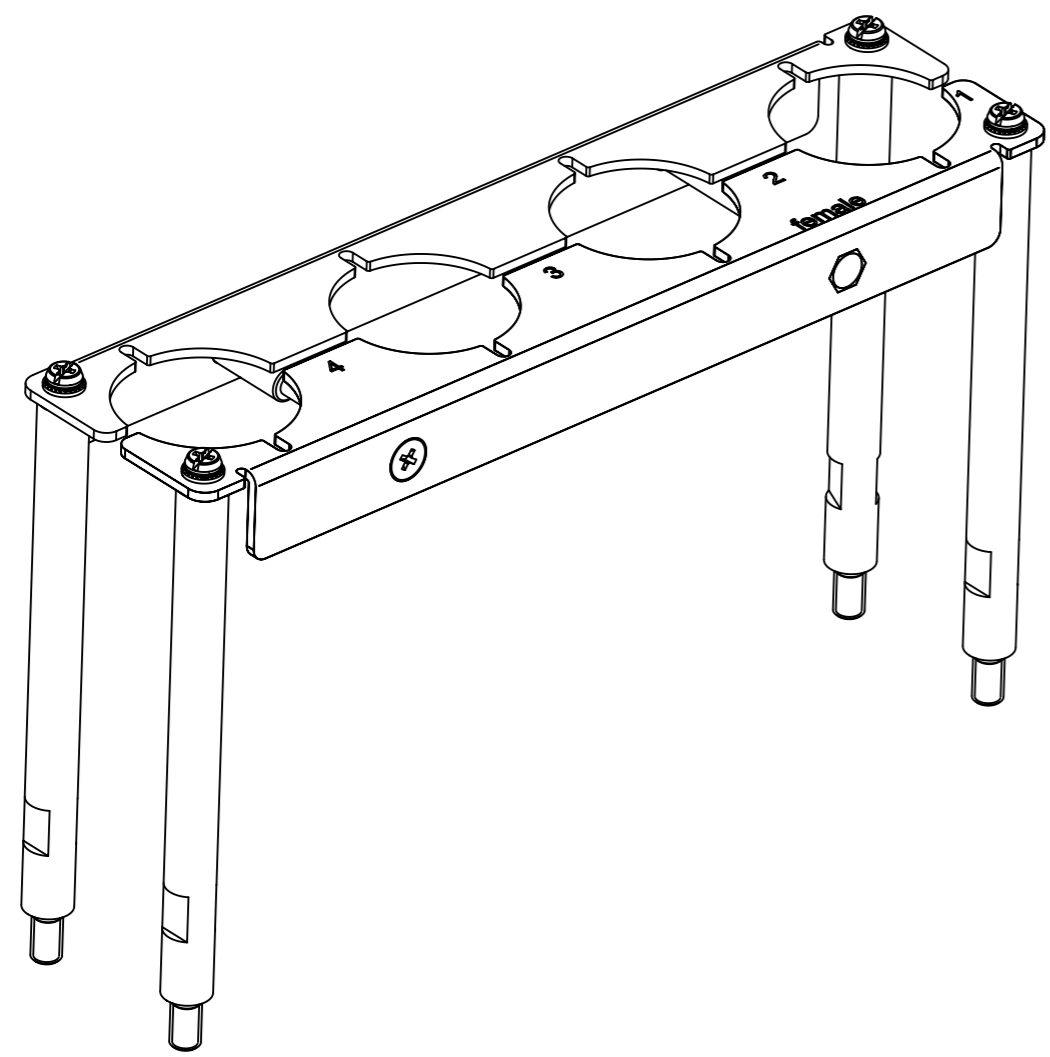
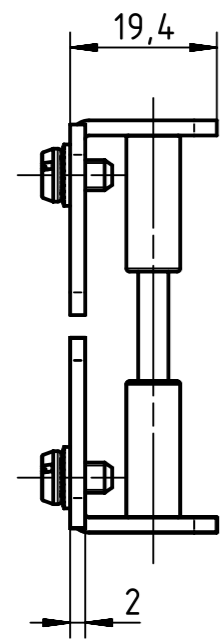
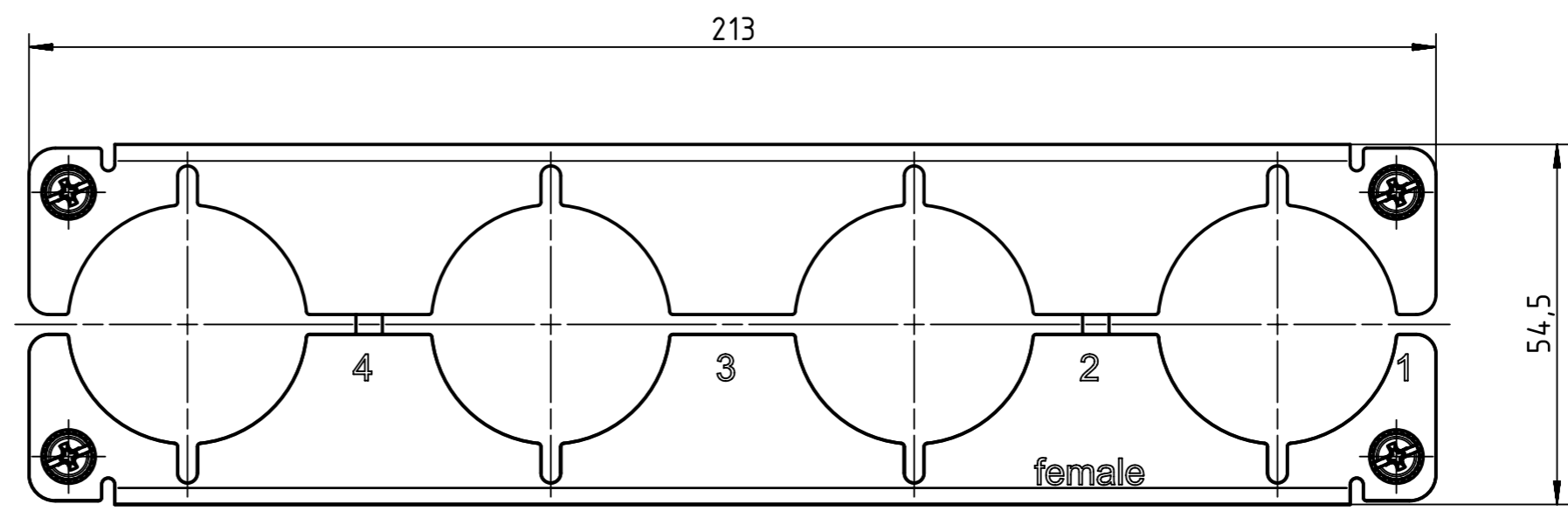
Contact us

Tel: +86-755-8981 8866 Fax: +86-755-8427 6832

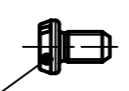
Email & Skype: info@chipsmall.com Web: www.chipsmall.com

Address: A1208, Overseas Decoration Building, #122 Zhenhua RD., Futian, Shenzhen, China

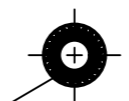




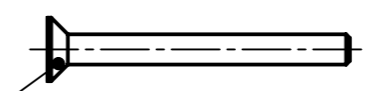
4x distance peg



4x M4 screw



4x washer M4



2x M4 countersunk-head screw

all components not assembled

	All Dimensions in mm Original Size DIN A3		Scale 1:1	Free size tol.		Ref.
	All rights reserved Department EL PD - DE		Created by GRUBES	Inspected by SCHLEGEL	Standardisation TIEMANNA	Date 2016-09-20
HARTING Electric GmbH & Co. KG D-32339 Espelkamp		Title Frame Han 34HPR EasyCon 4xHC650 f			Doc-Key / ECM-Nr. 100579162/UGD/000/B 500000109259	
		Type TB	Number 09 40 034 9924		Rev. B	Page 1/1