



Chipsmall Limited consists of a professional team with an average of over 10 year of expertise in the distribution of electronic components. Based in Hongkong, we have already established firm and mutual-benefit business relationships with customers from,Europe,America and south Asia,supplying obsolete and hard-to-find components to meet their specific needs.

With the principle of “Quality Parts,Customers Priority,Honest Operation,and Considerate Service”,our business mainly focus on the distribution of electronic components. Line cards we deal with include Microchip,ALPS,ROHM,Xilinx,Pulse,ON,Everlight and Freescale. Main products comprise IC,Modules,Potentiometer,IC Socket,Relay,Connector.Our parts cover such applications as commercial,industrial, and automotives areas.

We are looking forward to setting up business relationship with you and hope to provide you with the best service and solution. Let us make a better world for our industry!



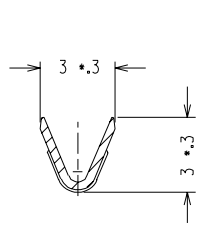
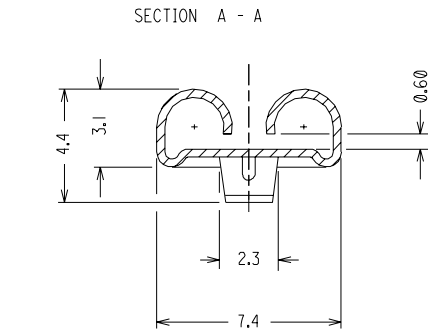
## Contact us

Tel: +86-755-8981 8866 Fax: +86-755-8427 6832

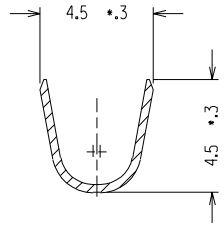
Email & Skype: info@chipsmall.com Web: www.chipsmall.com

Address: A1208, Overseas Decoration Building, #122 Zhenhua RD., Futian, Shenzhen, China

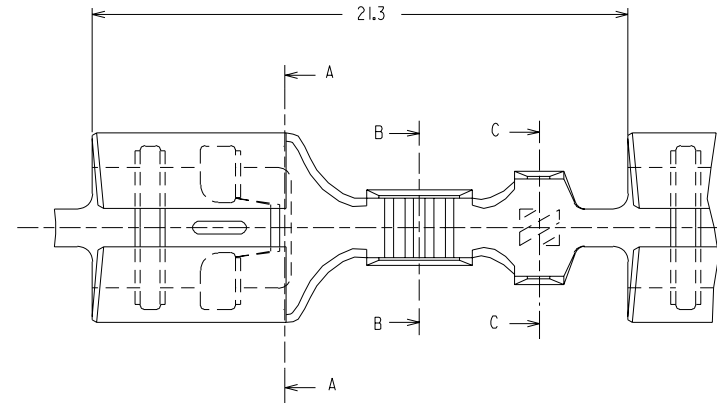
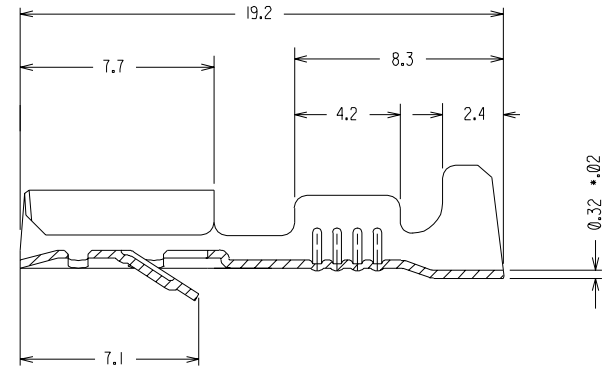




SECTION B - B



SECTION C - C



CODICE P/N	MATERIALE MATERIAL	FINITURA PLATING
94030-3890	OTTONE BRASS	GREGGIO/ PLAIN
94030-3891		STAGNATO/ TIN
94030-3892	BRONZO FOSF. PHOSPH. BRONZE	GREGGIO/ PLAIN
94030-3893		STAGNATO/ TIN

REVISIONS		DIMENSIONS SHOWN (METRIC) INCH		DRWG BY	REVISE ONLY ON CAD SYSTEM		SH.	REV.	
A	LTR	UNLESS OTHERWISE SPECIFIED TOLERANCES ANGULAR ± 2°		Gottardo	CADCAM FILENAME	THIS DRAWING CONTAINS INFORMATION THAT IS PROPRIETARY TO MOLEX INC AND SHOULD NOT BE USED WITHOUT WRITTEN PERMISSION			
		INCH (METRIC)			CHK'D BY	TITLE			
		3 PLACE ±			Previato	QIK KONNECT RECEPTACLE FOR 6.3 x 0.8 TABS			
		2 PLACE ±	± 0.1	APP'D BY	SEZ. RAME/ WIRE RANGE: 0.5-1.0 mm <sup>2</sup> — ISOLANTE/INS. RANGE: Ø 2.0-3.3 mm		SHEET NO. DATE		
		1 PLACE ±	± 0.2	SCALE	MOLEX MOLEX INCORPORATED		1 / 1	26-10-89	
		DESIGN DIMENSION (PRIMARY)	<input checked="" type="checkbox"/> (MM) <input type="checkbox"/> (IN)	5 : 1	PART NO. VEDI TABELLA SEE CHART		DWG NO. 94030-389X SD		
		EQUIVALENT DIMENSION (SECONDARY)	<input type="checkbox"/> (MM) <input type="checkbox"/> (IN)				SIZE B		