



Chipsmall Limited consists of a professional team with an average of over 10 year of expertise in the distribution of electronic components. Based in Hongkong, we have already established firm and mutual-benefit business relationships with customers from,Europe,America and south Asia,supplying obsolete and hard-to-find components to meet their specific needs.

With the principle of “Quality Parts,Customers Priority,Honest Operation,and Considerate Service”,our business mainly focus on the distribution of electronic components. Line cards we deal with include Microchip,ALPS,ROHM,Xilinx,Pulse,ON,Everlight and Freescale. Main products comprise IC,Modules,Potentiometer,IC Socket,Relay,Connector.Our parts cover such applications as commercial,industrial, and automotives areas.

We are looking forward to setting up business relationship with you and hope to provide you with the best service and solution. Let us make a better world for our industry!



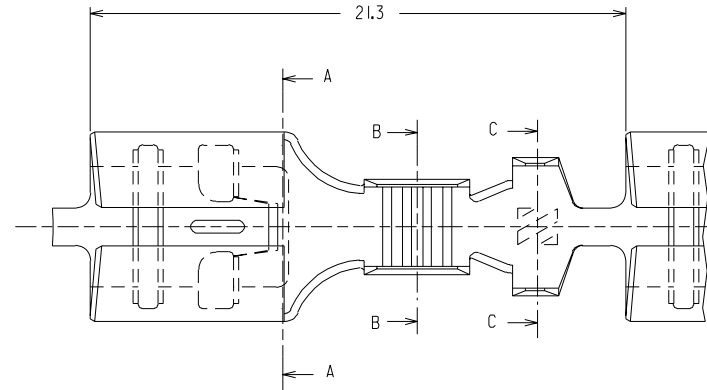
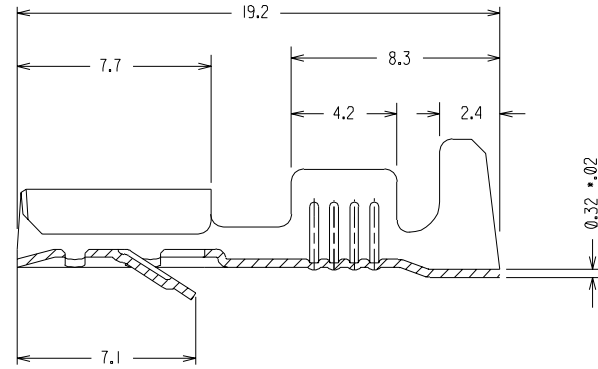
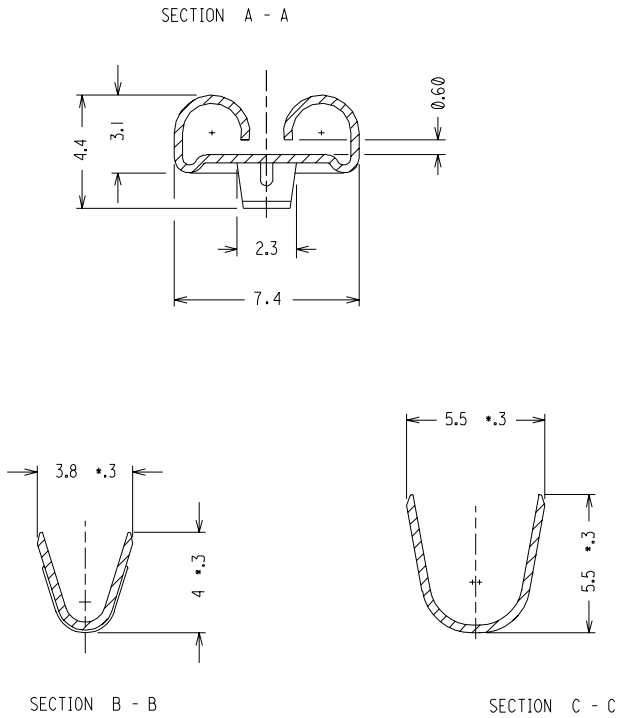
Contact us

Tel: +86-755-8981 8866 Fax: +86-755-8427 6832

Email & Skype: info@chipsmall.com Web: www.chipsmall.com

Address: A1208, Overseas Decoration Building, #122 Zhenhua RD., Futian, Shenzhen, China





CODICE P/N	MATERIALE MATERIAL	FINITURA PLATING
94030-3910	OTTONE BRASS	GREGGIO/ PLAIN
94030-3911		STAGNATO/ TIN
94030-3912	BRONZO FOSF. PHOSPH. BRONZE	GREGGIO/ PLAIN
94030-3913		STAGNATO/ TIN

REVISIONS		DIMENSIONS SHOWN (METRIC) INCH		DRWG BY	REVISE ONLY ON CAD SYSTEM		SH.	REV.	
A	EMESSO CON Z9-00034 C.F.	UNLESS OTHERWISE SPECIFIED TOLERANCES ANGULAR ± 2°		Gottardo	CADCAM FILENAME	THIS DRAWING CONTAINS INFORMATION THAT IS PROPRIETARY TO MOLEX INC AND SHOULD NOT BE USED WITHOUT WRITTEN PERMISSION			
		INCH (METRIC)			CHK'D BY	TITLE	CAPOCORDA FEMMINA PER MASCHIO 6.3 x 0.8 QIK KONNECT RECEPTACLE FOR 6.3 x 0.8 TABS		
		3 PLACE ±				APP'D BY	SEZ. RAME/ WIRE RANGE: 1.0-2.5 mm ² — ISOLANTE/INS. RANGE: Ø 2.7-4.3 mm		
		2 PLACE ±	± 0.1	Previato	MOLEX INCORPORATED		SHEET NO. DATE		
		1 PLACE	± 0.2	SCALE	PART NO. VEDI TABELLA SEE CHART		1 / 1	26-10-89	
		DESIGN DIMENSION (PRIMARY)	□ (MM) □ (IN)	5 : 1	DWG NO. 94030-391X SD			SIZE B	
		EQUIVALENT DIMENSION (SECONDARY)	□ (MM) □ (IN)						