



Chipsmall Limited consists of a professional team with an average of over 10 year of expertise in the distribution of electronic components. Based in Hongkong, we have already established firm and mutual-benefit business relationships with customers from,Europe,America and south Asia,supplying obsolete and hard-to-find components to meet their specific needs.

With the principle of “Quality Parts,Customers Priority,Honest Operation,and Considerate Service”,our business mainly focus on the distribution of electronic components. Line cards we deal with include Microchip,ALPS,ROHM,Xilinx,Pulse,ON,Everlight and Freescale. Main products comprise IC,Modules,Potentiometer,IC Socket,Relay,Connector.Our parts cover such applications as commercial,industrial, and automotives areas.

We are looking forward to setting up business relationship with you and hope to provide you with the best service and solution. Let us make a better world for our industry!



Contact us

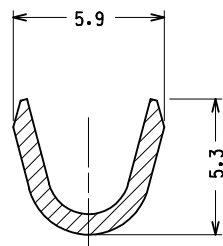
Tel: +86-755-8981 8866 Fax: +86-755-8427 6832

Email & Skype: info@chipsmall.com Web: www.chipsmall.com

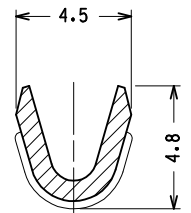
Address: A1208, Overseas Decoration Building, #122 Zhenhua RD., Futian, Shenzhen, China



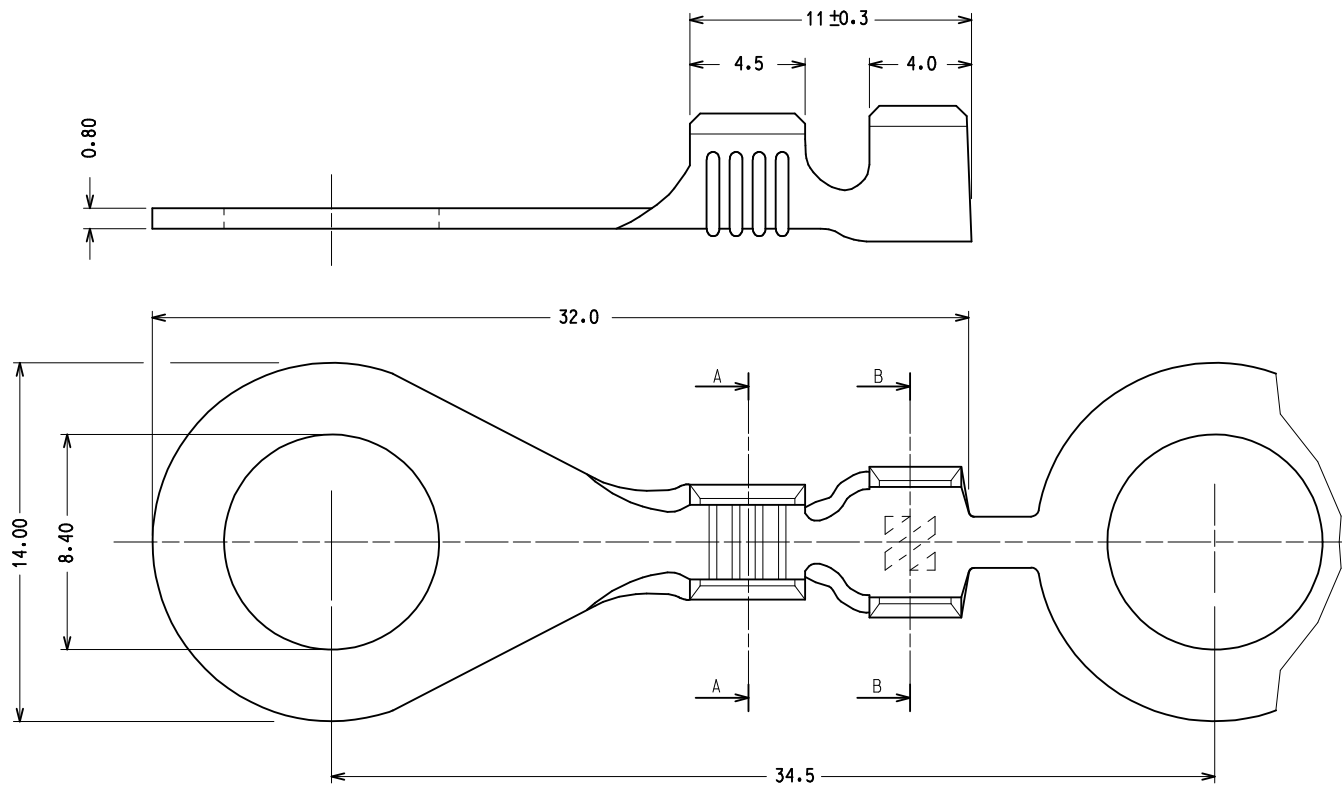
10 9 8 7 6 5 4 3 2 1



SECTION B - B



SECTION A - A



MATERIALE: OTTONE FINITURA: STAGNATO
 MATERIAL: BRASS PLATING: TIN

S.P.Q. = 6000 pz. Std. Descr.: RING TONGUE TERM BRS TIN 8.4 D 2-2.5

EC NO: Z2016-0113 DRWN:LSANTESS 2016/06/09 CHKD:LSANTESS 2016/06/09 APPR:PZANGIROLAMI 2016/06/09	QUALITY SYMBOLS ▽=0 ◻=0	GENERAL TOLERANCES (UNLESS SPECIFIED)		DIMENSION STYLE MM ONLY		SCALE 5:1	DESIGN UNITS METRIC	FIRST ANGLE PROJECTION	
			mm	INCH	DRAWN BY	DATE	TITLE		
		4 PLACES	± ---	± ---	FGOTTARD	1990/02/27	RING TONGUE TERMINAL		
		3 PLACES	± ---	± ---	CHECKED BY	DATE	WIRE RANGE: 1.0-2.5 MMQ		
	2 PLACES	± 0.1	± ---	APPROVED BY	DATE	MOLEX INCORPORATED			
	1 PLACE	± 0.2	± ---	MPREVIAT	1990/02/27	DOCUMENT NO.			
	ANGULAR ± 2 °		MATERIAL NO.		94030-6980		SD-94030-060		
	DRAFT WHERE APPLICABLE MUST REMAIN WITHIN DIMENSIONS		SIZE	THIS DRAWING CONTAINS INFORMATION THAT IS PROPRIETARY TO MOLEX INCORPORATED AND SHOULD NOT BE USED WITHOUT WRITTEN PERMISSION					
A1	REV								SHEET NO. 1 OF 1

9 8 7 6 5 4 3 2 1