



Chipsmall Limited consists of a professional team with an average of over 10 year of expertise in the distribution of electronic components. Based in Hongkong, we have already established firm and mutual-benefit business relationships with customers from,Europe,America and south Asia,supplying obsolete and hard-to-find components to meet their specific needs.

With the principle of "Quality Parts,Customers Priority,Honest Operation,and Considerate Service",our business mainly focus on the distribution of electronic components. Line cards we deal with include Microchip,ALPS,ROHM,Xilinx,Pulse,ON,Everlight and Freescale. Main products comprise IC,Modules,Potentiometer,IC Socket,Relay,Connector.Our parts cover such applications as commercial,industrial, and automotives areas.

We are looking forward to setting up business relationship with you and hope to provide you with the best service and solution. Let us make a better world for our industry!



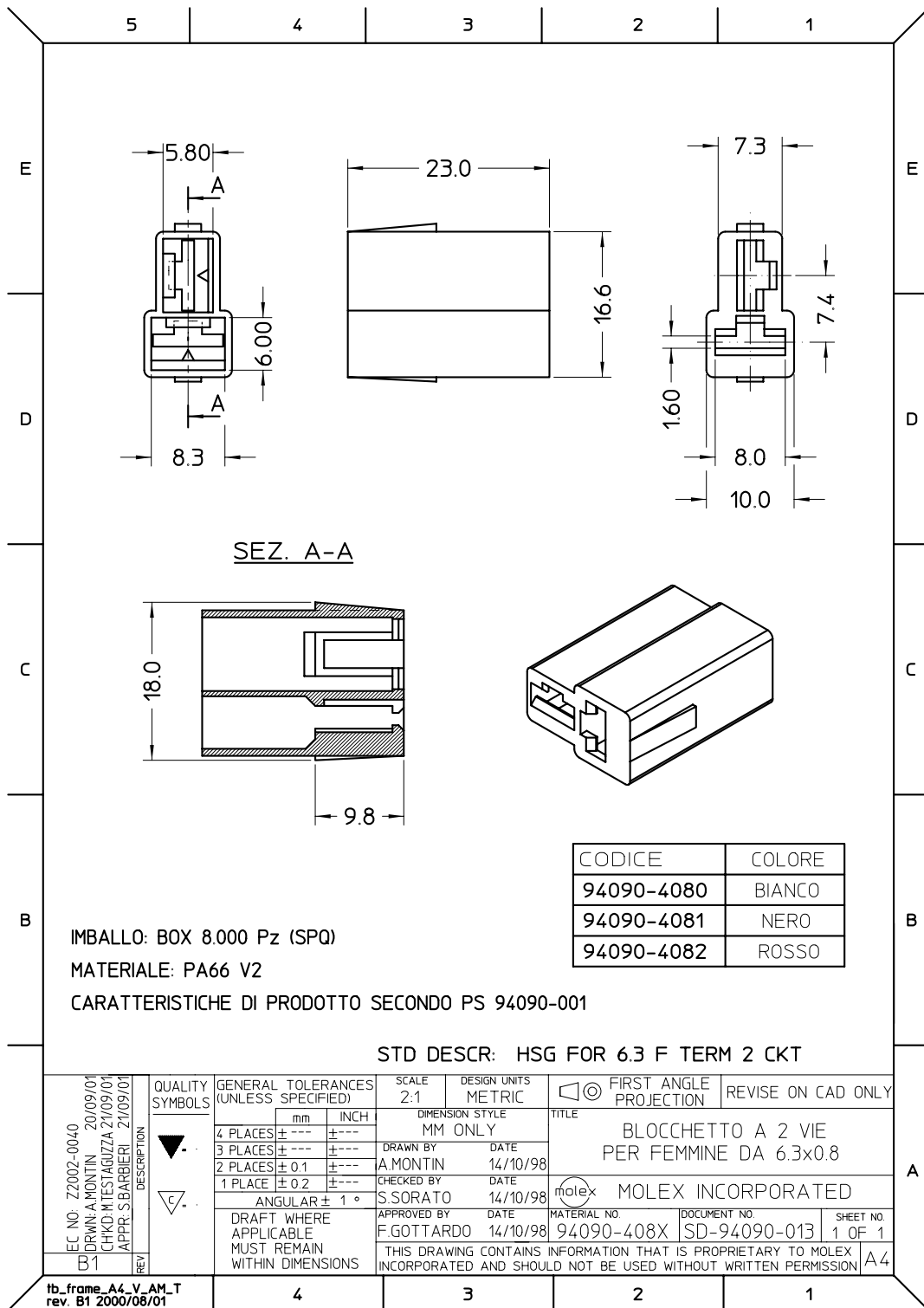
## Contact us

Tel: +86-755-8981 8866 Fax: +86-755-8427 6832

Email & Skype: info@chipsmall.com Web: www.chipsmall.com

Address: A1208, Overseas Decoration Building, #122 Zhenhua RD., Futian, Shenzhen, China





SEZ. A-A

IMBALLO: BOX 8.000 Pz (SPQ)  
 MATERIALE: PA66 V2  
 CARATTERISTICHE DI PRODOTTO SECONDO PS 94090-001

CODICE	COLORE
94090-4080	BIANCO
94090-4081	NERO
94090-4082	ROSSO

STD DESCR: HSG FOR 6.3 F TERM 2 CKT

EC NO: Z2002-0040 DRW: A.MONTIN 20/09/01 CHKD: M.TESTAGUZZA 21/09/01 APPR: S.BARBIERI 21/09/01 B1 REV	QUALITY SYMBOLS	GENERAL TOLERANCES (UNLESS SPECIFIED)	SCALE 2:1	DESIGN UNITS METRIC	FIRST ANGLE PROJECTION	REVISE ON CAD ONLY	
		mm INCH	DIMENSION STYLE	TITLE			
		4 PLACES ± --- ± ---	MM ONLY	BLOCCETTO A 2 VIE PER FEMMINE DA 6.3x0.8			
		3 PLACES ± --- ± ---					
2 PLACES ± 0.1 ± ---	DRAWN BY DATE	MOLEX INCORPORATED					
1 PLACE ± 0.2 ± ---	A.MONTIN 14/10/98						
ANGULAR ± 1°	CHECKED BY DATE	MATERIAL NO.	DOCUMENT NO.	SHEET NO.	THIS DRAWING CONTAINS INFORMATION THAT IS PROPRIETARY TO MOLEX INCORPORATED AND SHOULD NOT BE USED WITHOUT WRITTEN PERMISSION		
DRAFT WHERE APPLICABLE MUST REMAIN WITHIN DIMENSIONS	S.SORATO 14/10/98	94090-408X	SD-94090-013	1 OF 1			