



Chipsmall Limited consists of a professional team with an average of over 10 year of expertise in the distribution of electronic components. Based in Hongkong, we have already established firm and mutual-benefit business relationships with customers from,Europe,America and south Asia,supplying obsolete and hard-to-find components to meet their specific needs.

With the principle of "Quality Parts,Customers Priority,Honest Operation,and Considerate Service",our business mainly focus on the distribution of electronic components. Line cards we deal with include Microchip,ALPS,ROHM,Xilinx,Pulse,ON,Everlight and Freescale. Main products comprise IC,Modules,Potentiometer,IC Socket,Relay,Connector.Our parts cover such applications as commercial,industrial, and automotives areas.

We are looking forward to setting up business relationship with you and hope to provide you with the best service and solution. Let us make a better world for our industry!



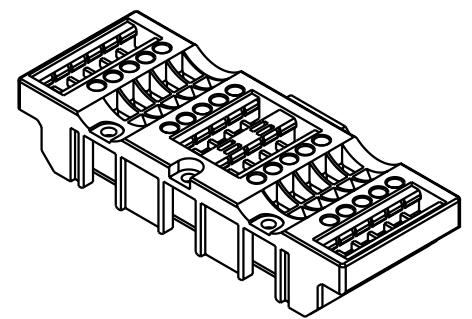
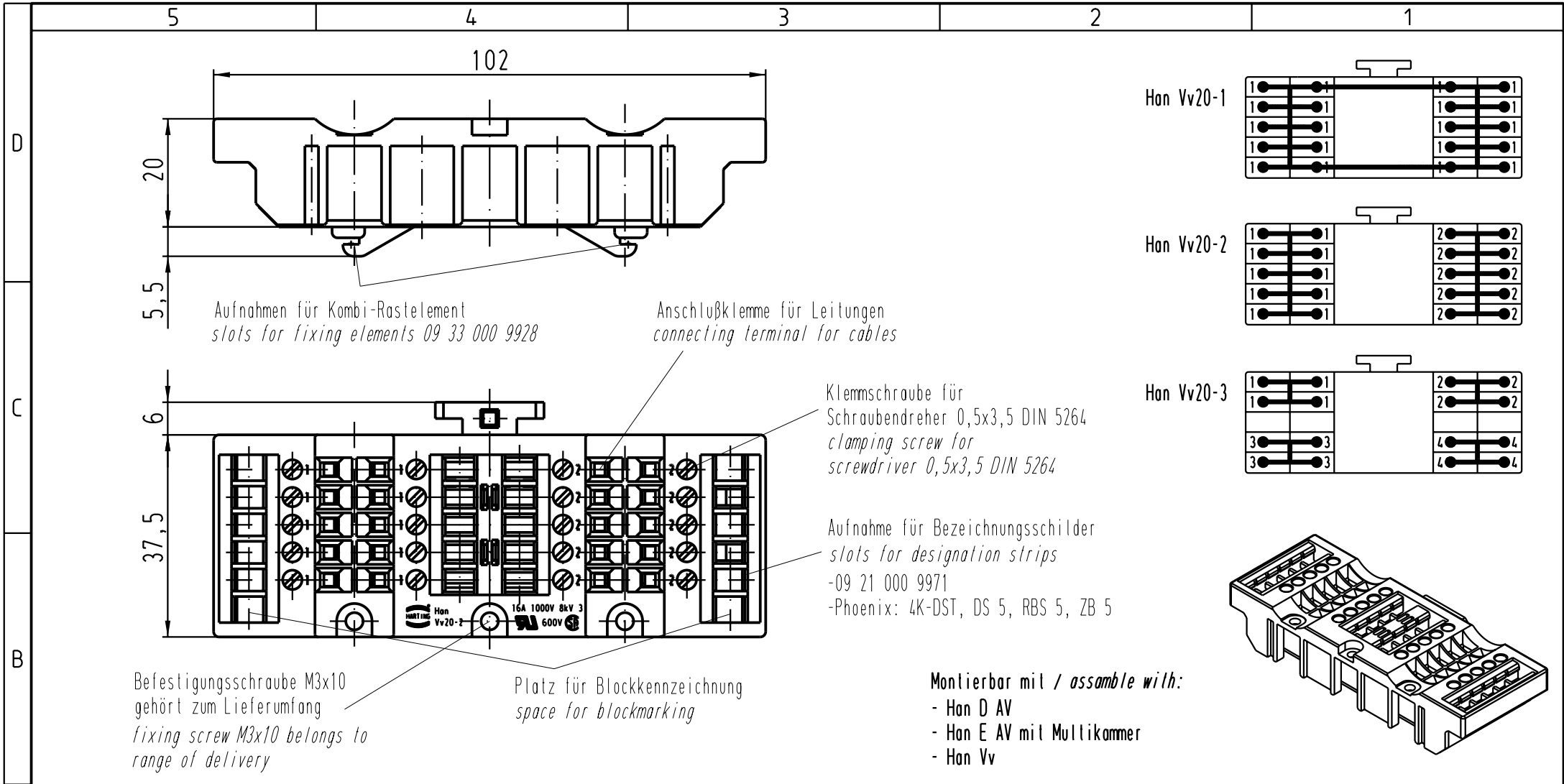
Contact us

Tel: +86-755-8981 8866 Fax: +86-755-8427 6832

Email & Skype: info@chipsmall.com Web: www.chipsmall.com

Address: A1208, Overseas Decoration Building, #122 Zhenhua RD., Futian, Shenzhen, China





Montierbar mit / assemble with:

- Han D AV
- Han E AV mit Mullikammer
- Han Vv

		All Dimensions in mm Original Size DIN A 4			Techn. Character.			Nicht tolerierte Masse / Free size tolerances		
					Detail.		Dat.		Name	
					26.03.93		WILD.		Masstab / Scale	
					Insp.		HERB.		1:1	
					Stand.				Han Vv20	
09 42 020 0131		Han Vv20-3			29191		11.04.01		Gö	
09 42 020 0121		Han Vv20-2			15897		02.12.93		ZILK	
09 42 020 0111		Han Vv20-1			HARTING KGaA		D-32339 ESPELKAMP		TB 09 42 020 01.1	
Bestell Nr / Part No		Typ / type			Mod.		Dat.		Name	
									Sub. TB 09 42 020 01.. v. 07.06.90	