



Chipsmall Limited consists of a professional team with an average of over 10 year of expertise in the distribution of electronic components. Based in Hongkong, we have already established firm and mutual-benefit business relationships with customers from,Europe,America and south Asia,supplying obsolete and hard-to-find components to meet their specific needs.

With the principle of “Quality Parts,Customers Priority,Honest Operation,and Considerate Service”,our business mainly focus on the distribution of electronic components. Line cards we deal with include Microchip,ALPS,ROHM,Xilinx,Pulse,ON,Everlight and Freescale. Main products comprise IC,Modules,Potentiometer,IC Socket,Relay,Connector.Our parts cover such applications as commercial,industrial, and automotives areas.

We are looking forward to setting up business relationship with you and hope to provide you with the best service and solution. Let us make a better world for our industry!



Contact us

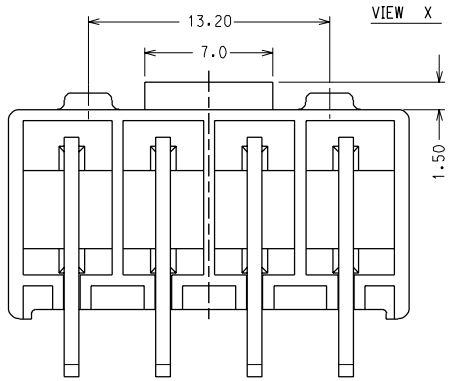
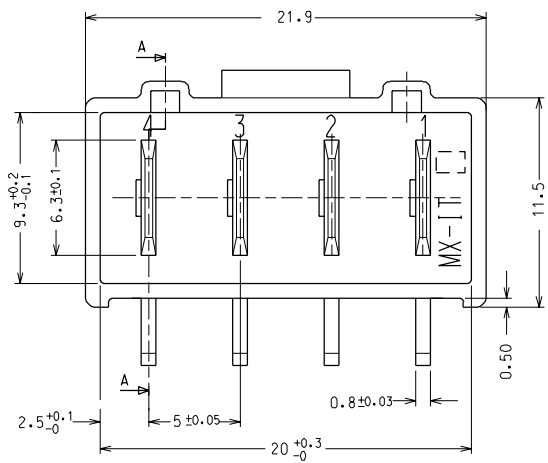
Tel: +86-755-8981 8866 Fax: +86-755-8427 6832

Email & Skype: info@chipsmall.com Web: www.chipsmall.com

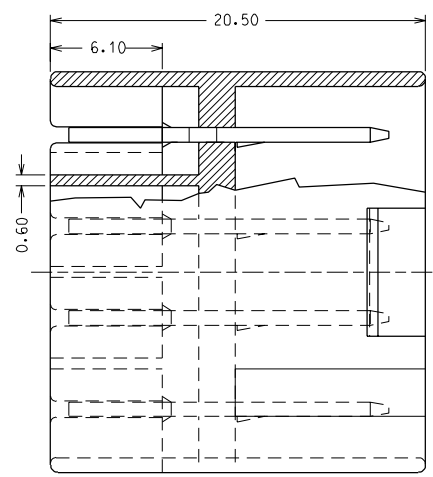
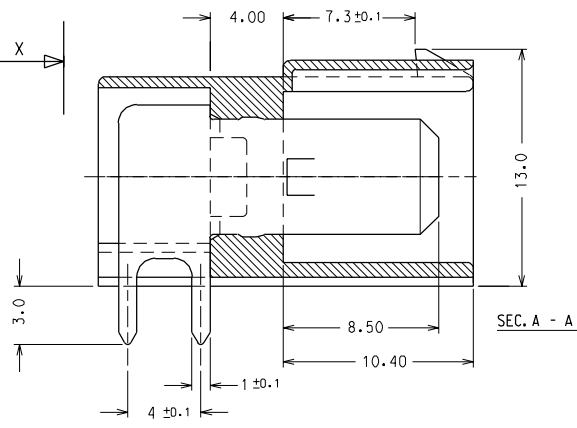
Address: A1208, Overseas Decoration Building, #122 Zhenhua RD., Futian, Shenzhen, China



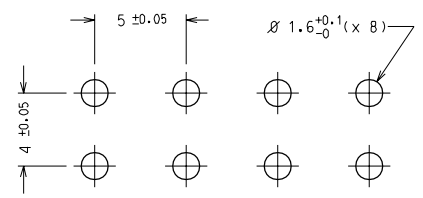
8 7 6 5 4 3 2 1



VIEW X



FORATURA SU C.S.
SUGGESTED PCB LAYOUT



CODICE ART./P/N	COLORE / COLOR
94213-1004	BIANCO / WHITE
94213-1014	NERO / BLACK

MATERIALE:
BLOCCHETTO: NYLON 6.6 HB
MASCHIO: OTTONE STAGNATO

MATERIAL:
HSG: NYLON 6.6 HB
TERMINAL: TIN PLATED BRASS

CONFEZIONE:
BOX DA 2000 pz.

PKG:
CARDBOARD BOXES: 2000 pcs/ea

F
E
D
C
B
A

F
E
D
C
B
A

8 7

A1	ECN 74-043 24-02-94 G.F.	DIMENSIONS SHOWN (METRIC) INCH UNLESS OTHERWISE SPECIFIED TOLERANCES ANGULAR ± 2° INCH (METRIC)	DRWG BY Gottardo						
	ECN Z3-179 01-12-93 G.F. Emissione dis.definitivi.								
A	REVISIONS	<table border="1"> <tr> <td>3 PLACE ±</td> <td></td> </tr> <tr> <td>2 PLACE ±</td> <td>± 0.15</td> </tr> <tr> <td>1 PLACE</td> <td>± 0.25</td> </tr> </table>	3 PLACE ±		2 PLACE ±	± 0.15	1 PLACE	± 0.25	CHK'D BY
3 PLACE ±									
2 PLACE ±	± 0.15								
1 PLACE	± 0.25								
LTR	DESIGN DIMENSION (PRIMARY) <input type="checkbox"/> (MM) <input type="checkbox"/> IN	APP'D BY Previato	SCALE 4 : 1						
	EQUIVALENT DIMENSION (SECONDARY) <input type="checkbox"/> (MM) <input type="checkbox"/> IN.								

REVISE ONLY ON CAD SYSTEM		SH.	REV.
CADCAM FILENAME 9421310S	THIS DRAWING CONTAINS INFORMATION THAT IS PROPRIETARY TO MOLEX INC AND SHOULD NOT BE USED WITHOUT WRITTEN PERMISSION		
TITLE CONNETTORE A 4 VIE CON MASCHI DA 6.3 X 0.8 PER C.S. 4 CKT PCB R/A CONNECTOR (6.3 x 0.8 TABS)			
MOLEX INCORPORATED		SHEET NO. DATE 1/1 05-10-92	
PART NO. vedi tabella see table	DWG NO. SD 94213-10XX M	SIZE B	