



Chipsmall Limited consists of a professional team with an average of over 10 year of expertise in the distribution of electronic components. Based in Hongkong, we have already established firm and mutual-benefit business relationships with customers from,Europe,America and south Asia,supplying obsolete and hard-to-find components to meet their specific needs.

With the principle of “Quality Parts,Customers Priority,Honest Operation,and Considerate Service”,our business mainly focus on the distribution of electronic components. Line cards we deal with include Microchip,ALPS,ROHM,Xilinx,Pulse,ON,Everlight and Freescale. Main products comprise IC,Modules,Potentiometer,IC Socket,Relay,Connector.Our parts cover such applications as commercial,industrial, and automotives areas.

We are looking forward to setting up business relationship with you and hope to provide you with the best service and solution. Let us make a better world for our industry!



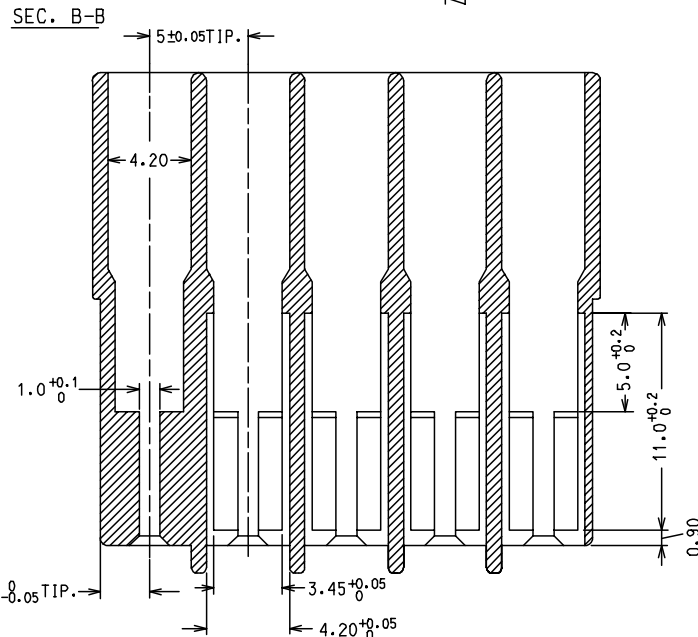
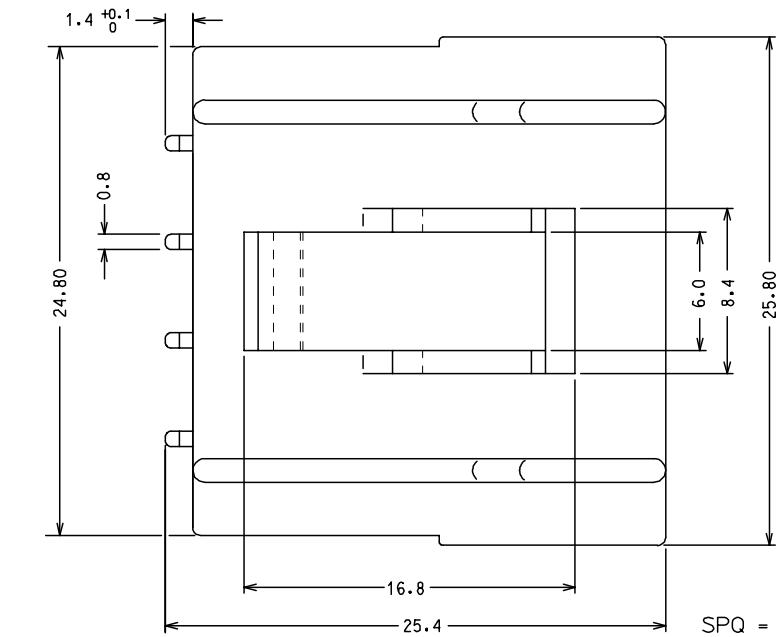
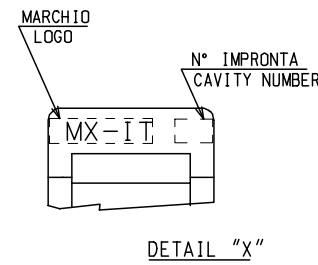
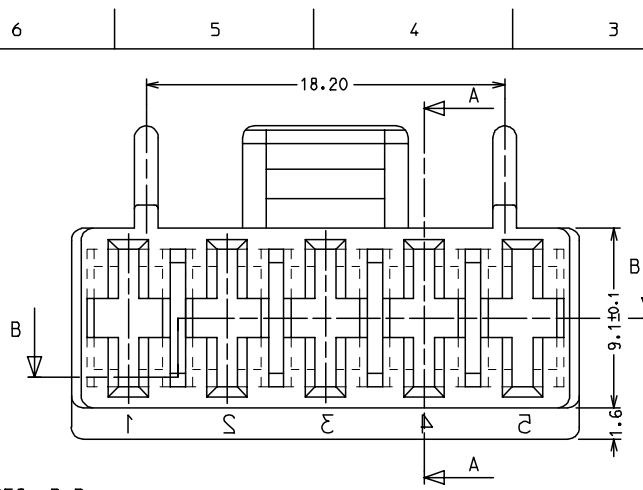
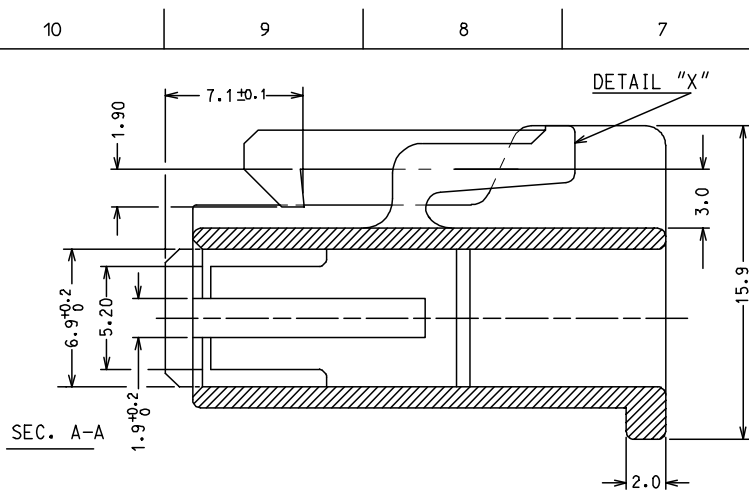
Contact us

Tel: +86-755-8981 8866 Fax: +86-755-8427 6832

Email & Skype: info@chipsmall.com Web: www.chipsmall.com

Address: A1208, Overseas Decoration Building, #122 Zhenhua RD., Futian, Shenzhen, China





MATERIALE: NYLON 6.6 V2
 MATERIAL: NYLON 6.6 V2

CONFEZIONE: BOX DA 4000 pz.
 PACKAGING: CARDBOARD BOXES
 4000 pcs/ea

SPQ = 4000 pz

Std. Descr.: "5 CKT HOUSING FOR HNF TERMINAL"

ENTER DESCRIPTION EC NO: Z2007-0187 DRWN:FGOTTARDO 2007/05/14 CHKD:LSANTESSO 2007/05/14 APPR:GZUIN 2007/05/17	QUALITY SYMBOLS ▽=0 ◻=0	GENERAL TOLERANCES (UNLESS SPECIFIED)		DIMENSION STYLE	SCALE	DESIGN UNITS	FIRST ANGLE PROJECTION	
				MM ONLY	1:4	METRIC		
				mm	INCH	DRAWN BY	DATE	TITLE
						FGOTTARDO	1995/04/20	5 CKT HOUSING FOR HNF (CAYMAN) TERMINAL
				CHECKED BY	DATE			
				APPROVED BY	DATE	MOLEX INCORPORATED	SHEET NO. 1 OF 1	
				MPREVIATO	1995/04/20			
				MATERIAL NO.		DOCUMENT NO.		
				94213-9015		SD-94213-014		
				DRAFT WHERE APPLICABLE MUST REMAIN WITHIN DIMENSIONS				
				THIS DRAWING CONTAINS INFORMATION THAT IS PROPRIETARY TO MOLEX INCORPORATED AND SHOULD NOT BE USED WITHOUT WRITTEN PERMISSION				