



Chipsmall Limited consists of a professional team with an average of over 10 year of expertise in the distribution of electronic components. Based in Hongkong, we have already established firm and mutual-benefit business relationships with customers from,Europe,America and south Asia,supplying obsolete and hard-to-find components to meet their specific needs.

With the principle of "Quality Parts,Customers Priority,Honest Operation,and Considerate Service",our business mainly focus on the distribution of electronic components. Line cards we deal with include Microchip,ALPS,ROHM,Xilinx,Pulse,ON,Everlight and Freescale. Main products comprise IC,Modules,Potentiometer,IC Socket,Relay,Connector.Our parts cover such applications as commercial,industrial, and automotives areas.

We are looking forward to setting up business relationship with you and hope to provide you with the best service and solution. Let us make a better world for our industry!



Contact us

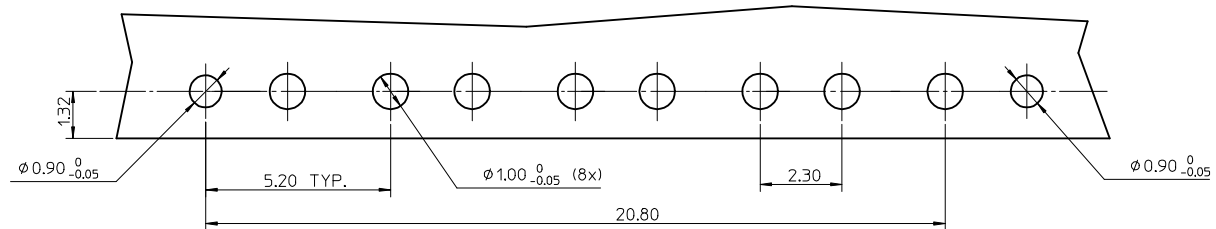
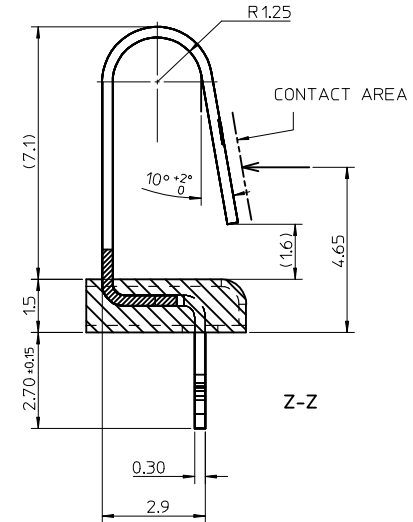
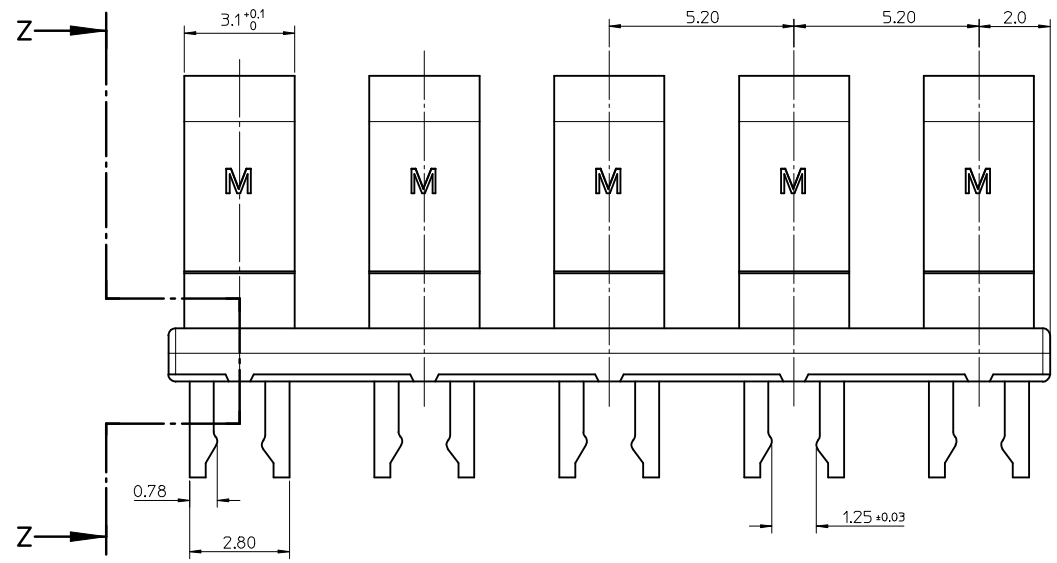
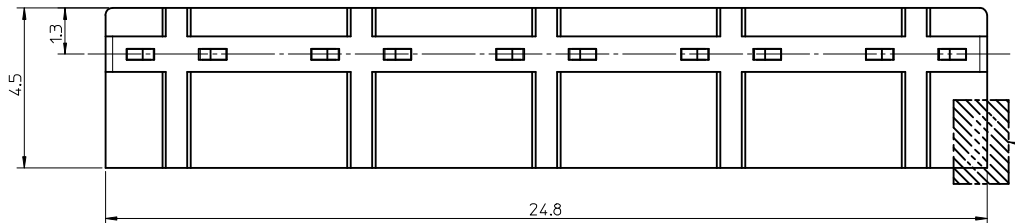
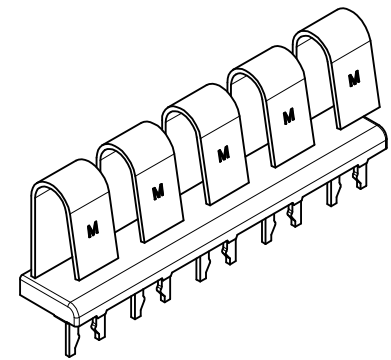
Tel: +86-755-8981 8866 Fax: +86-755-8427 6832

Email & Skype: info@chipsmall.com Web: www.chipsmall.com

Address: A1208, Overseas Decoration Building, #122 Zhenhua RD., Futian, Shenzhen, China



IN THE EVENTUALITY OF PRESENCE OF SHORT SHOTS UP TO 3.5mm² ON ONE END OF THE PLASTIC BODY, THE FUNCTIONALITY OF THE PART IS NOT IMPAIRED AND THE CONNECTOR CAN BE USED WITH NO PROBLEM



RECOMMENDED PCB LAYOUT (PCB THICKNESS: 1.5mm)

- NOTES:
- MATERIALS
 - HOUSING: PA46 30% G.F., V0, BLACK
 - TERMINAL: ALLOY C19010 (STOL 76)
 - TERMINAL PLATING: 4.0um MIN. TIN PREPLATED STRIP
 - PACKAGING: LOOSE PIECES IN CARDBOARD BOXES (1200PCS/BOX, 8 BOXES/CARTON). SPQ: 9600PCS

3D models used:
 - EM-94324-001
 - EM-94234-040

EC NO: Z2013-0173 DRAWN: SBARBIER 2013/01/07 CHKD: SANTIASSO 2013/07/12 APPR: FB SELLO 2013/06/18	QUALITY SYMBOLS	GENERAL TOLERANCES (UNLESS SPECIFIED)		DIMENSION STYLE	SCALE	DESIGN UNITS	THIRD ANGLE PROJECTION
	∇=0 ∇=0 ∇=0	mm INCH 4 PLACES ± --- ± --- 3 PLACES ± --- ± --- 2 PLACES ± 0.05 ± --- 1 PLACE ± 0.10 ± --- 0 PLACE ± --- ± ---	DRAWN BY SBARBIER 2013/01/07 CHECKED BY DATE	DATE 2013/06/18	MM ONLY	10:1	METRIC
	ANGULAR ± ---° DRAFT WHERE APPLICABLE MUST REMAIN WITHIN DIMENSIONS	APPROVED BY FB SELLO 2013/06/18 DATE		MATERIAL NO. 94234-1005		DOCUMENT NO. SD-94234-010	
1		SIZE A2		THIS DRAWING CONTAINS INFORMATION THAT IS PROPRIETARY TO MOLEX INCORPORATED AND SHOULD NOT BE USED WITHOUT WRITTEN PERMISSION			