



Chipsmall Limited consists of a professional team with an average of over 10 year of expertise in the distribution of electronic components. Based in Hongkong, we have already established firm and mutual-benefit business relationships with customers from,Europe,America and south Asia,supplying obsolete and hard-to-find components to meet their specific needs.

With the principle of "Quality Parts,Customers Priority,Honest Operation,and Considerate Service",our business mainly focus on the distribution of electronic components. Line cards we deal with include Microchip,ALPS,ROHM,Xilinx,Pulse,ON,Everlight and Freescale. Main products comprise IC,Modules,Potentiometer,IC Socket,Relay,Connector.Our parts cover such applications as commercial,industrial, and automotives areas.

We are looking forward to setting up business relationship with you and hope to provide you with the best service and solution. Let us make a better world for our industry!



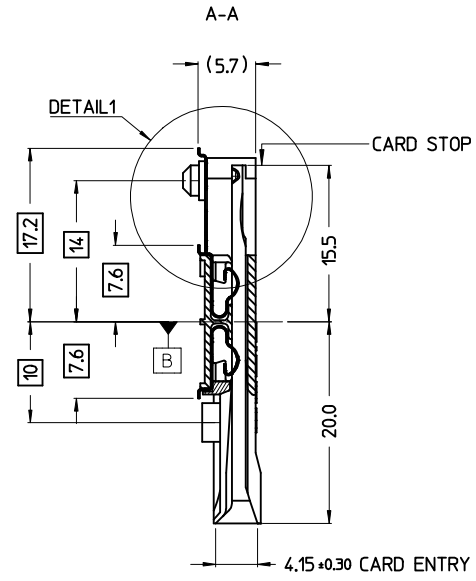
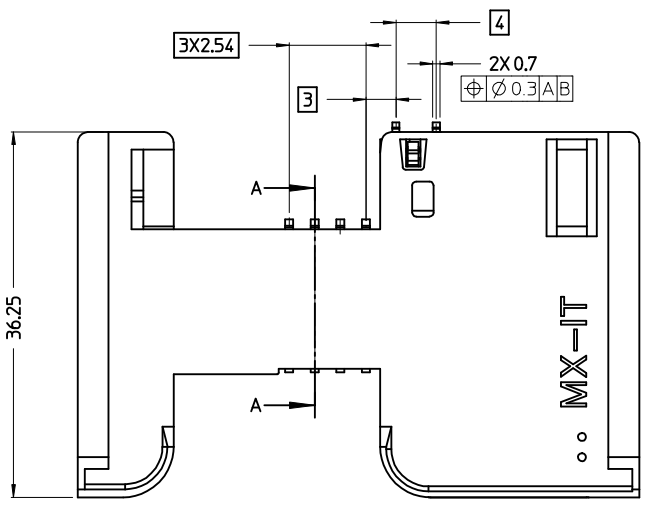
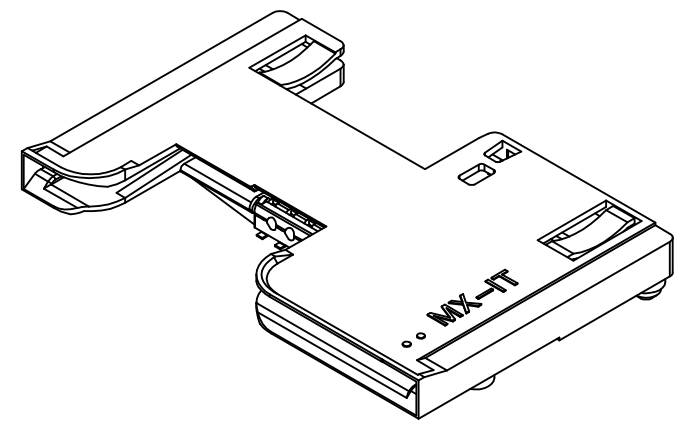
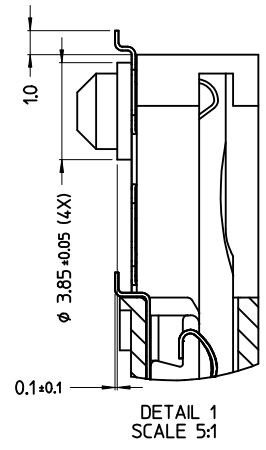
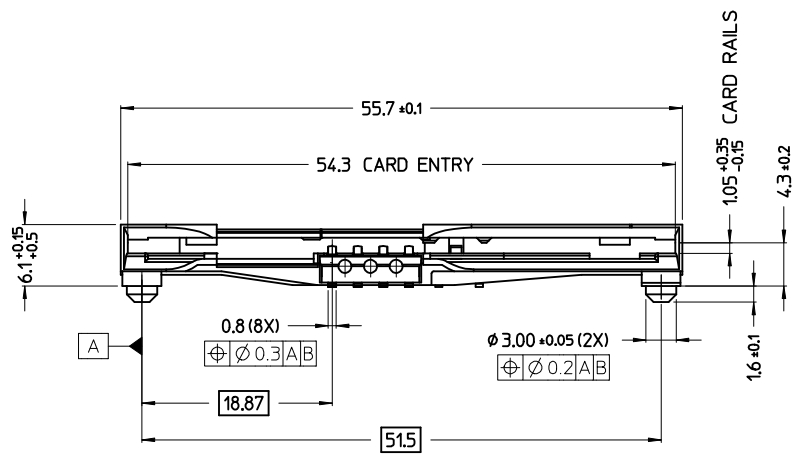
## Contact us

Tel: +86-755-8981 8866 Fax: +86-755-8427 6832

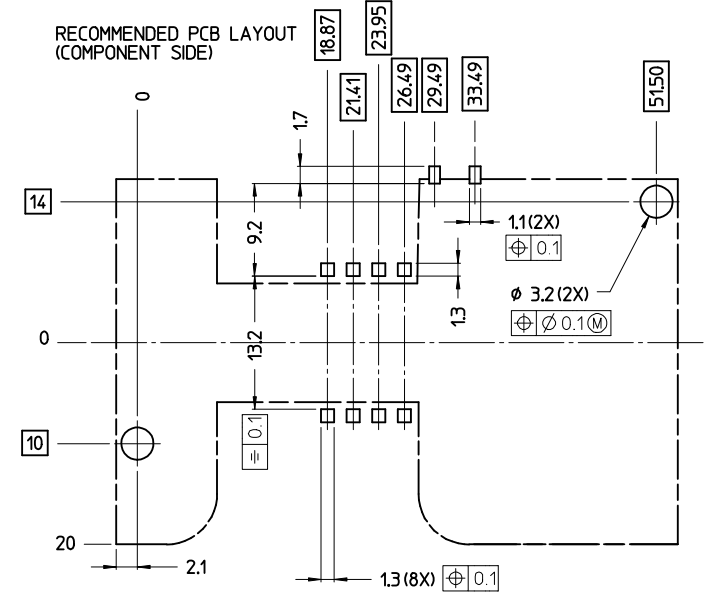
Email & Skype: info@chipsmall.com Web: www.chipsmall.com

Address: A1208, Overseas Decoration Building, #122 Zhenhua RD., Futian, Shenzhen, China





RECOMMENDED PCB LAYOUT (COMPONENT SIDE)



**MATERIALS:**  
 HOUSING - LCP GLASS FILLED BLACK COLOR  
 TERMINALS - PhBz CuSn8 (C521) 0.15mm THICK  
 PLATING:  
 CONTACT AREA - 1.27um Au MIN OVER 2-4.5um Ni  
 SOLDERING AREA - 3.8um Sn MIN OVER 2-4.5um Ni  
 PACKAGING: TRAYS IN BOX (SEE DRW PK-94304-010)

**NOTES:**  
 - REFLOW SOLDERING PROFILE ACCORDING TO CECC0802  
 - COPLANARITY OF METAL SOLDERING SURFACES 0.15mm  
 - THE GUIDE IS COMPATIBLE WITH ISO/IEC 7816-2 (identification cards - Integrated circuit(s) cards with contacts)  
 - OTHER PRODUCT CHARACTERISTICS ACCORDING TO PS-94304-010

STD. DESCR. : "SMART CARD CONN SMT 8 CKT W/SW N.O."

EC NO: Z2009-0136 DRWNG:GZUIN 2009/05/25 CHKD:L.SANTUSSO 2009/06/04 APPR:FBISELLO 2009/06/09	QUALITY SYMBOLS ▽=0 ◻=0	GENERAL TOLERANCES (UNLESS SPECIFIED)		DIMENSION STYLE MM ONLY		SCALE 2:1	DESIGN UNITS METRIC	FIRST ANGLE PROJECTION			
		4 PLACES ± --- ± ---	3 PLACES ± --- ± ---	2 PLACES ± 0.05 ± ---	1 PLACE ± 0.15 ± ---	DRAWN BY GZUIN	DATE 2005/05/13	TITLE SMART CARD CONNECTOR 8 CKT W/SWITCH N.O.			
		ANGULAR ± 2 °				CHECKED BY RSANDANO	DATE 2005/05/13	APPROVED BY FBISELLO			
		DRAFT WHERE APPLICABLE MUST REMAIN WITHIN DIMENSIONS				MATERIAL NO. 94304-0108	DATE 2005/05/13	MOLEX INCORPORATED		DOCUMENT NO. SD-94304-010	SHEET NO. 1 OF 1

THIS DRAWING CONTAINS INFORMATION THAT IS PROPRIETARY TO MOLEX INCORPORATED AND SHOULD NOT BE USED WITHOUT WRITTEN PERMISSION