



Chipsmall Limited consists of a professional team with an average of over 10 year of expertise in the distribution of electronic components. Based in Hongkong, we have already established firm and mutual-benefit business relationships with customers from,Europe,America and south Asia,supplying obsolete and hard-to-find components to meet their specific needs.

With the principle of “Quality Parts,Customers Priority,Honest Operation,and Considerate Service”,our business mainly focus on the distribution of electronic components. Line cards we deal with include Microchip,ALPS,ROHM,Xilinx,Pulse,ON,Everlight and Freescale. Main products comprise IC,Modules,Potentiometer,IC Socket,Relay,Connector.Our parts cover such applications as commercial,industrial, and automotives areas.

We are looking forward to setting up business relationship with you and hope to provide you with the best service and solution. Let us make a better world for our industry!



Contact us

Tel: +86-755-8981 8866 Fax: +86-755-8427 6832

Email & Skype: info@chipsmall.com Web: www.chipsmall.com

Address: A1208, Overseas Decoration Building, #122 Zhenhua RD., Futian, Shenzhen, China



7

6

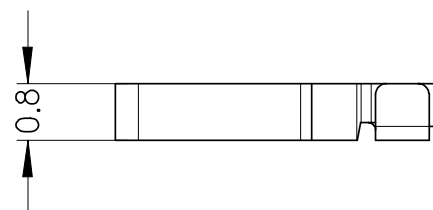
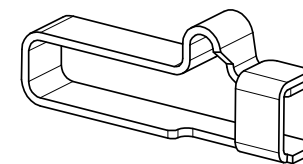
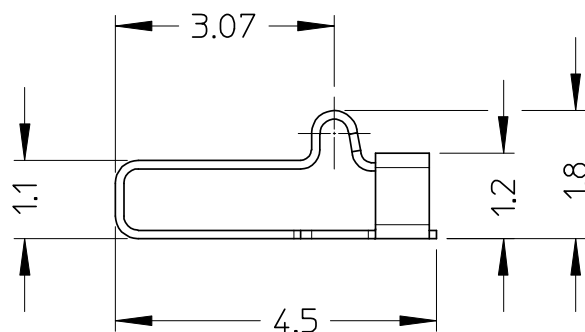
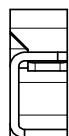
5

4

3

2

1



NOTES:

1. MATERIAL: BERYLLIUM COPPER 0.127 mm THICK.
0.07 μ m MIN. Au OVER 1.27 μ m MIN. Ni
2. CONTACT NORMAL FORCES @0.4 mm
DEFLECTION 0.30 N \pm 0.15 N
3. PACKAGING: T&R 8000 PCS/REEL,
8 REEL/BOX (SPQ=64000 PCS)

Std.Descr.: "MICRO SPRING CONTACT"

ENTER DESCRIPTION EC NO: Z2008-0143 DRWN:FGOTTARD 2008/03/17 CHKD:LSANTESSO 2008/03/17 APPR:GZUIN 2008/03/18	DESCRIPTION REV	QUALITY SYMBOLS	GENERAL TOLERANCES (UNLESS SPECIFIED)	DIMENSION STYLE MM ONLY	SCALE 10:1	DESIGN UNITS METRIC	FIRST ANGLE PROJECTION																													
		=0 =0	<table border="1"> <thead> <tr> <th></th> <th>mm</th> <th>INCH</th> </tr> </thead> <tbody> <tr> <td>4 PLACES</td> <td>\pm---</td> <td>\pm---</td> </tr> <tr> <td>3 PLACES</td> <td>\pm---</td> <td>\pm---</td> </tr> <tr> <td>2 PLACES</td> <td>\pm0.10</td> <td>\pm---</td> </tr> <tr> <td>1 PLACE</td> <td>\pm0.15</td> <td>\pm---</td> </tr> <tr> <td colspan="3">ANGULAR \pm---°</td> </tr> </tbody> </table>		mm	INCH	4 PLACES	\pm ---	\pm ---	3 PLACES	\pm ---	\pm ---	2 PLACES	\pm 0.10	\pm ---	1 PLACE	\pm 0.15	\pm ---	ANGULAR \pm ---°			<table border="1"> <tr> <td>DRAWN BY</td> <td>DATE</td> </tr> <tr> <td>FGOTTARDO</td> <td>2008/14/03</td> </tr> <tr> <td>CHECKED BY</td> <td>DATE</td> </tr> <tr> <td>RSANDANO</td> <td>2008/14/03</td> </tr> <tr> <td>APPROVED BY</td> <td>DATE</td> </tr> <tr> <td>GZUIN</td> <td>2008/14/03</td> </tr> </table>	DRAWN BY	DATE	FGOTTARDO	2008/14/03	CHECKED BY	DATE	RSANDANO	2008/14/03	APPROVED BY	DATE	GZUIN	2008/14/03	TITLE MICRO SPRING CONTACT	
			mm	INCH																																
		4 PLACES	\pm ---	\pm ---																																
		3 PLACES	\pm ---	\pm ---																																
2 PLACES	\pm 0.10	\pm ---																																		
1 PLACE	\pm 0.15	\pm ---																																		
ANGULAR \pm ---°																																				
DRAWN BY	DATE																																			
FGOTTARDO	2008/14/03																																			
CHECKED BY	DATE																																			
RSANDANO	2008/14/03																																			
APPROVED BY	DATE																																			
GZUIN	2008/14/03																																			
DRAFT WHERE APPLICABLE MUST REMAIN WITHIN DIMENSIONS				MATERIAL NO. 94328-5001	MOLEX INCORPORATED DOCUMENT NO. SD-94328-001		SHEET NO. 1 OF 1																													
SIZE A4				THIS DRAWING CONTAINS INFORMATION THAT IS PROPRIETARY TO MOLEX INCORPORATED AND SHOULD NOT BE USED WITHOUT WRITTEN PERMISSION																																

6

5

4

3

2

1