



Chipsmall Limited consists of a professional team with an average of over 10 year of expertise in the distribution of electronic components. Based in Hongkong, we have already established firm and mutual-benefit business relationships with customers from,Europe,America and south Asia,supplying obsolete and hard-to-find components to meet their specific needs.

With the principle of “Quality Parts,Customers Priority,Honest Operation,and Considerate Service”,our business mainly focus on the distribution of electronic components. Line cards we deal with include Microchip,ALPS,ROHM,Xilinx,Pulse,ON,Everlight and Freescale. Main products comprise IC,Modules,Potentiometer,IC Socket,Relay,Connector.Our parts cover such applications as commercial,industrial, and automotives areas.

We are looking forward to setting up business relationship with you and hope to provide you with the best service and solution. Let us make a better world for our industry!



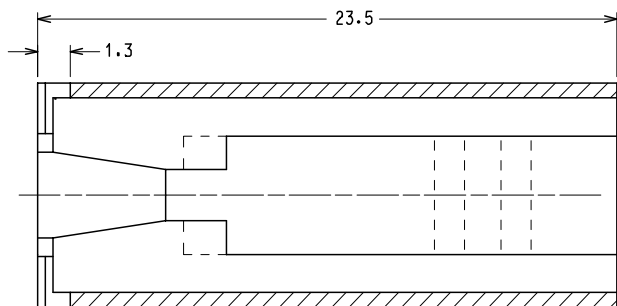
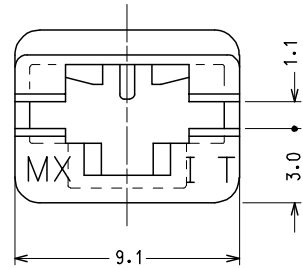
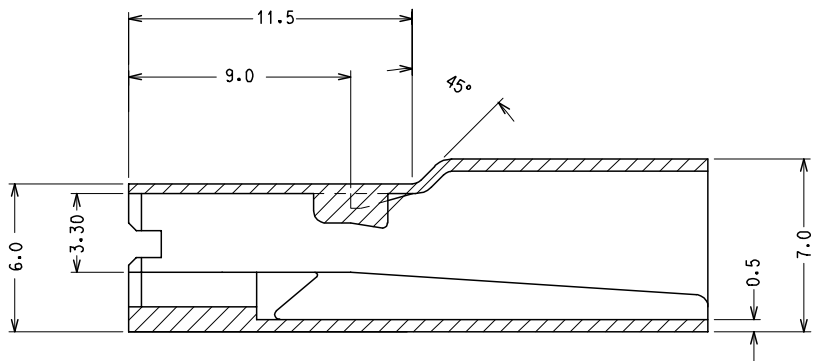
## Contact us

Tel: +86-755-8981 8866 Fax: +86-755-8427 6832

Email & Skype: info@chipsmall.com Web: www.chipsmall.com

Address: A1208, Overseas Decoration Building, #122 Zhenhua RD., Futian, Shenzhen, China





CODICE / P/N	COLORE / COLOUR	AGENCY RECOGNIZATIONS	MATERIALE / MATERIAL
94506 - 9000	naturale white (bianco)	CSA (file LR19980) UL (file E29179)	PA 66 UL 94 V2 GWT 850°C
94506 - 9001	nero black	N/A	
94506 - 9002	rosso red	N/A	
94506 - 9004	verde green	N/A	
94506 - 9700	naturale white (bianco)	N/A	PA 66/6 UL 94 V0

IMPIEGATO CON TERMINALE 94506-0\*\*\*  
TO BE USED WITH TERMINAL P/N 94506-0\*\*\*

SPQ = 19500 pz.

Std.Descr: "HOUSING FOR FEMALE TERM (inserire colore) 1CKT"

EC NO: Z2005-0030 DRWN:FGOTTARD 2004/09/23 CHKD:RSANDANO 2004/09/23 APPR:GZUIN 2004/09/23	QUALITY SYMBOLS ▽=0 ▽=0	GENERAL TOLERANCES (UNLESS SPECIFIED)		DIMENSION STYLE	SCALE	DESIGN UNITS	FIRST ANGLE PROJECTION	
				MM ONLY	5:1	METRIC		
		4 PLACES	± ---	± ---	DRAWN BY	DATE	TITLE	
		3 PLACES	± ---	± ---	FGOTTARD	1989/12/14	HOUSING FOR -SAFELOCK- TERMINAL	
2 PLACES	± 0.10	± ---	CHECKED BY	DATE	APPROVED BY			
1 PLACE	± 0.2	± ---			MPREVIAT	1989/12/14	DATE	
ANGULAR ± 2 °		DRAFT WHERE APPLICABLE MUST REMAIN WITHIN DIMENSIONS		MATERIAL NO.		DOCUMENT NO.		
				SEE CHART		SD-94506-001		
				SIZE		SHEET NO.		
				A3		1 OF 1		
THIS DRAWING CONTAINS INFORMATION THAT IS PROPRIETARY TO MOLEX INCORPORATED AND SHOULD NOT BE USED WITHOUT WRITTEN PERMISSION								