



Chipsmall Limited consists of a professional team with an average of over 10 year of expertise in the distribution of electronic components. Based in Hongkong, we have already established firm and mutual-benefit business relationships with customers from,Europe,America and south Asia,supplying obsolete and hard-to-find components to meet their specific needs.

With the principle of “Quality Parts,Customers Priority,Honest Operation,and Considerate Service”,our business mainly focus on the distribution of electronic components. Line cards we deal with include Microchip,ALPS,ROHM,Xilinx,Pulse,ON,Everlight and Freescale. Main products comprise IC,Modules,Potentiometer,IC Socket,Relay,Connector.Our parts cover such applications as commercial,industrial, and automotives areas.

We are looking forward to setting up business relationship with you and hope to provide you with the best service and solution. Let us make a better world for our industry!



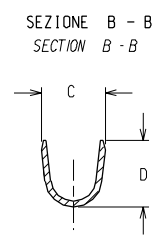
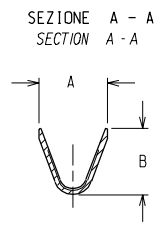
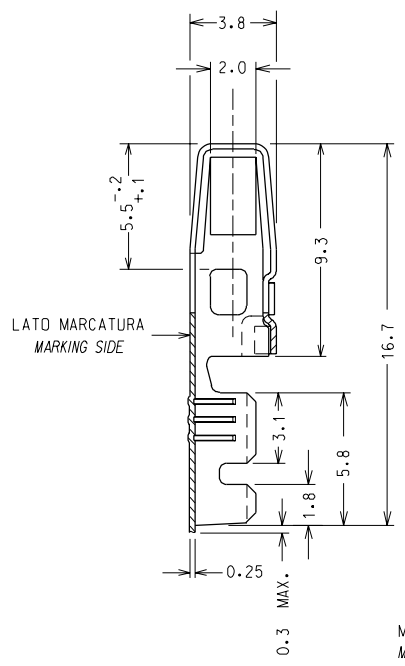
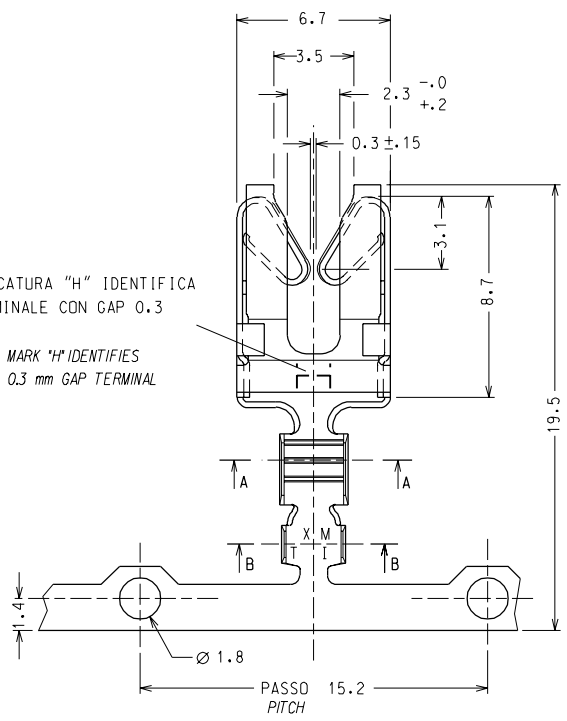
Contact us

Tel: +86-755-8981 8866 Fax: +86-755-8427 6832

Email & Skype: info@chipsmall.com Web: www.chipsmall.com

Address: A1208, Overseas Decoration Building, #122 Zhenhua RD., Futian, Shenzhen, China





SENDO DI SVOLGIMENTO DALLA BOBINA
DEREELING DIRECTION

(N.° PEZZI PER BOBINA: 4000)
(N. OF TERMINALS FOR REEL: 4000)

MATERIALE: BRONZO FOSFOROSO
MATERIAL: PHOSPHOR BRONZE

FINITURA: PRESTAGNATO
PLATING: PRE-TINNED

CARATTERISTICHE DI PRODOTTO SECONDO PS 94509
PRODUCT CHARACTERISTICS ACCORDING TO PS 94509 E

CODICE P/N	SEZIONE CAVO WIRE SIZE	Ø ISOLANTE INS. RANGE	A	B	C	D
94509-0103	0.35 - 0.50	1.70 MAX	1.9	2.2	2.7	2.7
94509-0203	0.75 - 1.00	2.10 MAX	3.0	2.9	2.8	2.9

EC NO. Z9-065 DRWNS. BARBIERI 08-10-98 CHK: S. SORATO 08-10-98 APPR: R. MARTUCCI 08-10-98	QUALITY SYMBOLS MAJOR M SIGNIF. S CRITICAL C	GENERAL TOLERANCES: (UNLESS SPECIFIED)		SCALE 5:1	DESIGN UNITS <input checked="" type="checkbox"/> mm <input type="checkbox"/> INCH	DIMENSIONS: <input type="checkbox"/> mm <input type="checkbox"/> INCH <input type="checkbox"/> mm <input checked="" type="checkbox"/> INCH	SHT	REV							
		4 PLACES $\pm 0.$	\pm	3 PLACES $\pm 0.$	\pm	2 PLACES $\pm 0.$	\pm	1 PLACE ± 0.2	\pm	ANGULAR: $\pm 3^\circ$	DRAWN BY & DATE S. BARBIERI 14-02-90	CHECKED BY & DATE	TITLE: CONTATTO A FORCELLA DIRITTO - SPESSORE NOMIN. DEL MASCHIO: 0.8 mm - STRAIGHT FORK TERMINAL - TAB SIZE: 0.8 mm -	FIRST ANGLE PROJECTION	REVISE ON CAD ONLY
D	REV	DRAFT WHERE APPLICABLE MUST REMAIN WITHIN DIMENSIONS		CAD FILENAME 94509007.DGN		MATERIAL NO. SEE TABLE		DRAWING NO. SD-94509-007		SHEET NO. 1/1		MATERIAL NO. DRAWING NO. SHEET NO.		MATERIAL NO. DRAWING NO. SHEET NO.	
		THIS DRAWING CONTAINS INFORMATION THAT IS PROPRIETARY TO MOLEX INCORPORATED AND SHOULD NOT BE USED WITHOUT WRITTEN PERMISSION.		MATERIAL NO. DRAWING NO. SHEET NO.		MATERIAL NO. DRAWING NO. SHEET NO.		MATERIAL NO. DRAWING NO. SHEET NO.		MATERIAL NO. DRAWING NO. SHEET NO.		MATERIAL NO. DRAWING NO. SHEET NO.		MATERIAL NO. DRAWING NO. SHEET NO.	

