



Chipsmall Limited consists of a professional team with an average of over 10 year of expertise in the distribution of electronic components. Based in Hongkong, we have already established firm and mutual-benefit business relationships with customers from,Europe,America and south Asia,supplying obsolete and hard-to-find components to meet their specific needs.

With the principle of "Quality Parts,Customers Priority,Honest Operation,and Considerate Service",our business mainly focus on the distribution of electronic components. Line cards we deal with include Microchip,ALPS,ROHM,Xilinx,Pulse,ON,Everlight and Freescale. Main products comprise IC,Modules,Potentiometer,IC Socket,Relay,Connector.Our parts cover such applications as commercial,industrial, and automotives areas.

We are looking forward to setting up business relationship with you and hope to provide you with the best service and solution. Let us make a better world for our industry!



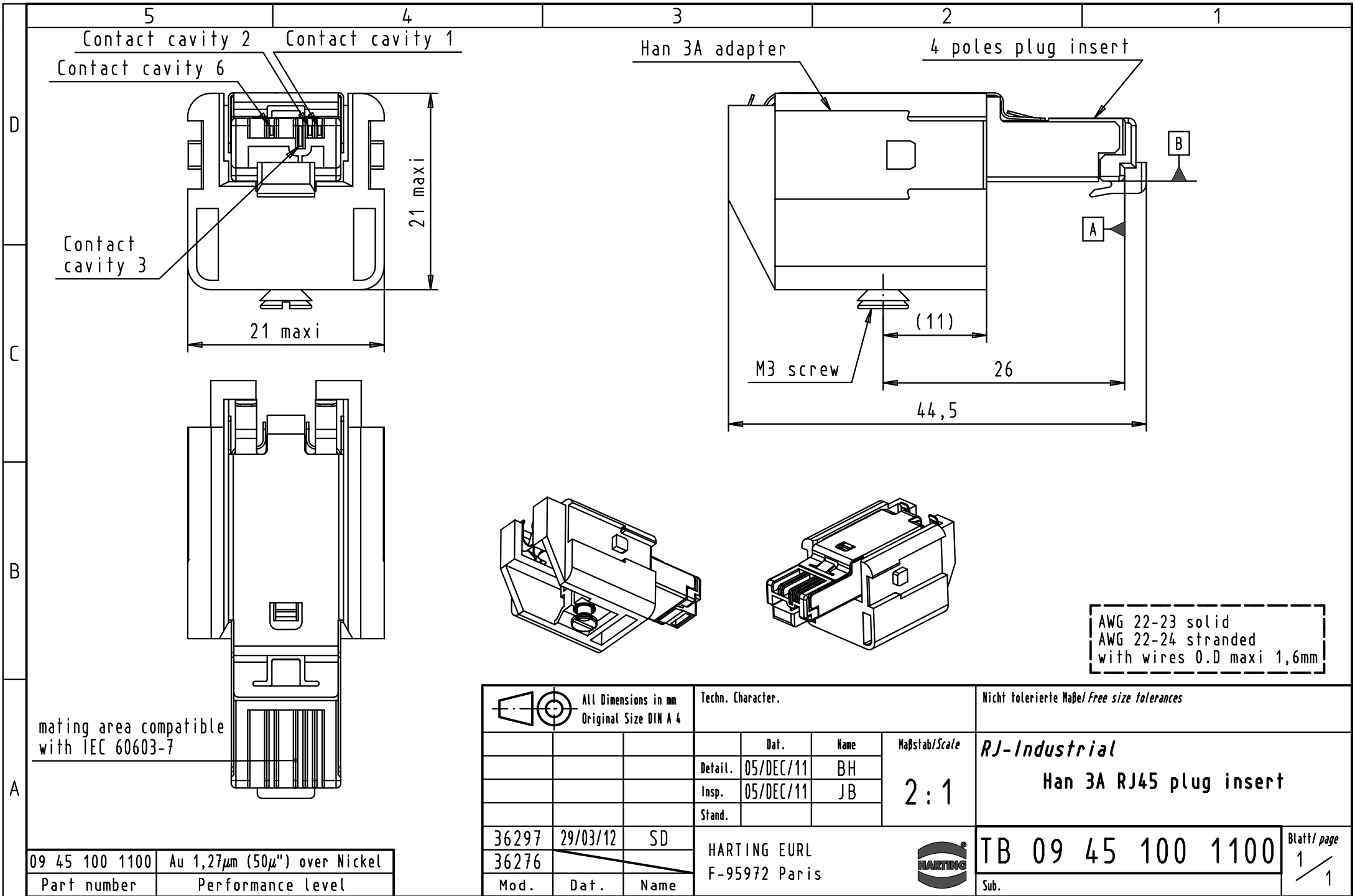
Contact us

Tel: +86-755-8981 8866 Fax: +86-755-8427 6832

Email & Skype: info@chipsmall.com Web: www.chipsmall.com

Address: A1208, Overseas Decoration Building, #122 Zhenhua RD., Futian, Shenzhen, China





AWG 22-23 solid
 AWG 22-24 stranded
 with wires O.D maxi 1,6mm

mating area compatible
 with IEC 60603-7

09 45 100 1100	Au 1,27µm (50µ") over Nickel
Part number	Performance level

	All Dimensions in mm Original Size DIN A 4			Techn. Character.		Nicht tolerierte Maßel/Free size tolerances	
				Dat.	Name	Maßstab/Scale 2:1	RJ-Industrial Han 3A RJ45 plug insert
			Detail.	05/DEC/11	BH		
			Insp.	05/DEC/11	JB		
			Stand.				
36297	29/03/12	SD	HARTING EURL			TB 09 45 100 1100	
36276			F-95972 Paris				
Mod.	Dat.	Name				Blatt/ page 1 / 1	
						Sub.	