



Chipsmall Limited consists of a professional team with an average of over 10 year of expertise in the distribution of electronic components. Based in Hongkong, we have already established firm and mutual-benefit business relationships with customers from,Europe,America and south Asia,supplying obsolete and hard-to-find components to meet their specific needs.

With the principle of “Quality Parts,Customers Priority,Honest Operation,and Considerate Service”,our business mainly focus on the distribution of electronic components. Line cards we deal with include Microchip,ALPS,ROHM,Xilinx,Pulse,ON,Everlight and Freescale. Main products comprise IC,Modules,Potentiometer,IC Socket,Relay,Connector.Our parts cover such applications as commercial,industrial, and automotives areas.

We are looking forward to setting up business relationship with you and hope to provide you with the best service and solution. Let us make a better world for our industry!



Contact us

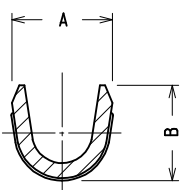
Tel: +86-755-8981 8866 Fax: +86-755-8427 6832

Email & Skype: info@chipsmall.com Web: www.chipsmall.com

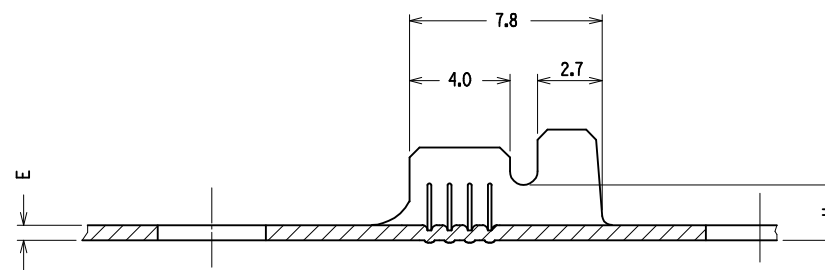
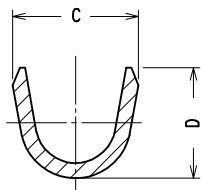
Address: A1208, Overseas Decoration Building, #122 Zhenhua RD., Futian, Shenzhen, China



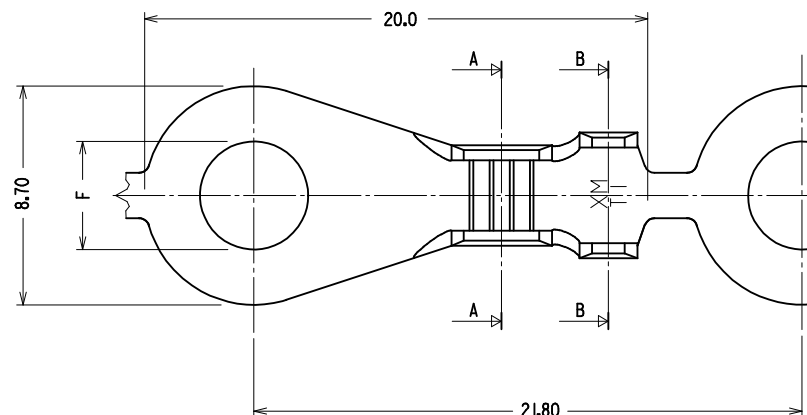
Sez. A - A



Sez. B - B



CODICE P/N	FINITURA PLATING	SEZ. RAME WIRE RANGE (mm ²)	Ø ISOLANTE INS. RANGE (mm)	DIMENSIONI / DIMENSIONS (mm)								SPQ (pcs)
				A	B	C	D	E	F	H		
94511 - 1310	greggio/ <i>pln</i>	0.5 - 2.0	2.2 - 4.0	4.0	3.7	5.0	4.4	0.6	3.10	1.7	18.000	
94511 - 1311	stagnato/ <i>fln</i>											
94511 - 1410	greggio/ <i>pln</i>	0.5 - 2.0	2.2 - 4.0	4.0	3.7	5.0	4.4	0.6	4.30	1.7	18.000	
94511 - 1411	stagnato/ <i>fln</i>											
94511 - 1420	greggio/ <i>pln</i>	0.5 - 1.5	2.2 - 3.2	4.0	3.9	5.0	4.6	0.8	4.30	1.7	18.000	
94511 - 1421	stagnato/ <i>fln</i>											
94511 - 1510	greggio/ <i>pln</i>	0.5 - 2.0	2.2 - 4.0	4.0	3.7	5.0	4.4	0.5	5.20	1.7	15.000	
94511 - 1511	stagnato/ <i>fln</i>											
94511 - 1520	greggio/ <i>pln</i>	0.5 - 2.0	2.2 - 4.0	4.0	3.7	5.0	4.4	0.6	5.20	1.7	18.000	
94511 - 1521	stagnato/ <i>fln</i>											
94511 - 1610	greggio/ <i>pln</i>	0.5 - 2.0	2.2 - 4.0	4.0	3.7	5.0	4.4	0.6	6.30	1.7	18.000	
94511 - 1611	stagnato/ <i>fln</i>											
94511 - 2310	greggio/ <i>pln</i>	1.5 - 3.5	3.2 - 4.2	4.2	4.7	6.0	6.0	0.6	3.10	2.4	15.000	
94511 - 2311	stagnato/ <i>fln</i>											
94511 - 2410	greggio/ <i>pln</i>	1.5 - 3.5	3.2 - 4.2	4.2	4.7	6.0	6.0	0.6	4.30	2.4	15.000	
94511 - 2411	stagnato/ <i>fln</i>											
94511 - 2520	greggio/ <i>pln</i>	1.5 - 3.5	3.2 - 4.2	4.2	4.7	6.0	6.0	0.6	5.20	2.4	15.000	
94511 - 2521	stagnato/ <i>fln</i>											
94511 - 2610	greggio/ <i>pln</i>	1.5 - 3.5	3.2 - 4.2	4.2	4.7	6.0	6.0	0.6	6.30	2.4	15.000	
94511 - 2611	stagnato/ <i>fln</i>											



MATERIALE: OTTONE
MATERIAL: BRASS

CONFEZIONE (SPQ) : 3 BOBINE poste in una SCATOLA di CARTONE.
PACKAGING (SPQ) : 3 REELS inside a CARTON BOX.

Added SPQ & PKG notes EC NO: Z2015-0038 DRWN:L.SANTISS 2014/09/15 CHKD:L.SANTISS 2014/09/16 APPR:P.ZANGIROLAMI 2014/09/16	QUALITY SYMBOLS $\nabla_A = 0$ $\nabla_B = 0$ $\nabla_P = 0$	GENERAL TOLERANCES (UNLESS SPECIFIED)		DIMENSION STYLE MM ONLY		SCALE 5:1	DESIGN UNITS METRIC	FIRST ANGLE PROJECTION		
		4 PLACES ± --- ± ---	3 PLACES ± --- ± ---	2 PLACES ± 0.10 ± ---	1 PLACE ± 0.20 ± ---	0 PLACE ± ±	ANGULAR ± --- °	DRAWN BY DATE FGOTTARDO 1989/06/30		
		DRAFT WHERE APPLICABLE MUST REMAIN WITHIN DIMENSIONS		(see chart)		CHECKED BY DATE MPREVIATO 1989/06/30		TITLE CAPOCORDA AD OCCHIELLO RING TONGUE TERMINAL		
		MATERIAL NO.		APPROVED BY DATE PZANGIROLAMI 2014/09/16		DOCUMENT NO. SD-94511-001		SHEET NO. 1 OF 1		
		SIZE A3		THIS DRAWING CONTAINS INFORMATION THAT IS PROPRIETARY TO MOLEX INCORPORATED AND SHOULD NOT BE USED WITHOUT WRITTEN PERMISSION						