



Chipsmall Limited consists of a professional team with an average of over 10 year of expertise in the distribution of electronic components. Based in Hongkong, we have already established firm and mutual-benefit business relationships with customers from,Europe,America and south Asia,supplying obsolete and hard-to-find components to meet their specific needs.

With the principle of “Quality Parts,Customers Priority,Honest Operation,and Considerate Service”,our business mainly focus on the distribution of electronic components. Line cards we deal with include Microchip,ALPS,ROHM,Xilinx,Pulse,ON,Everlight and Freescale. Main products comprise IC,Modules,Potentiometer,IC Socket,Relay,Connector.Our parts cover such applications as commercial,industrial, and automotives areas.

We are looking forward to setting up business relationship with you and hope to provide you with the best service and solution. Let us make a better world for our industry!



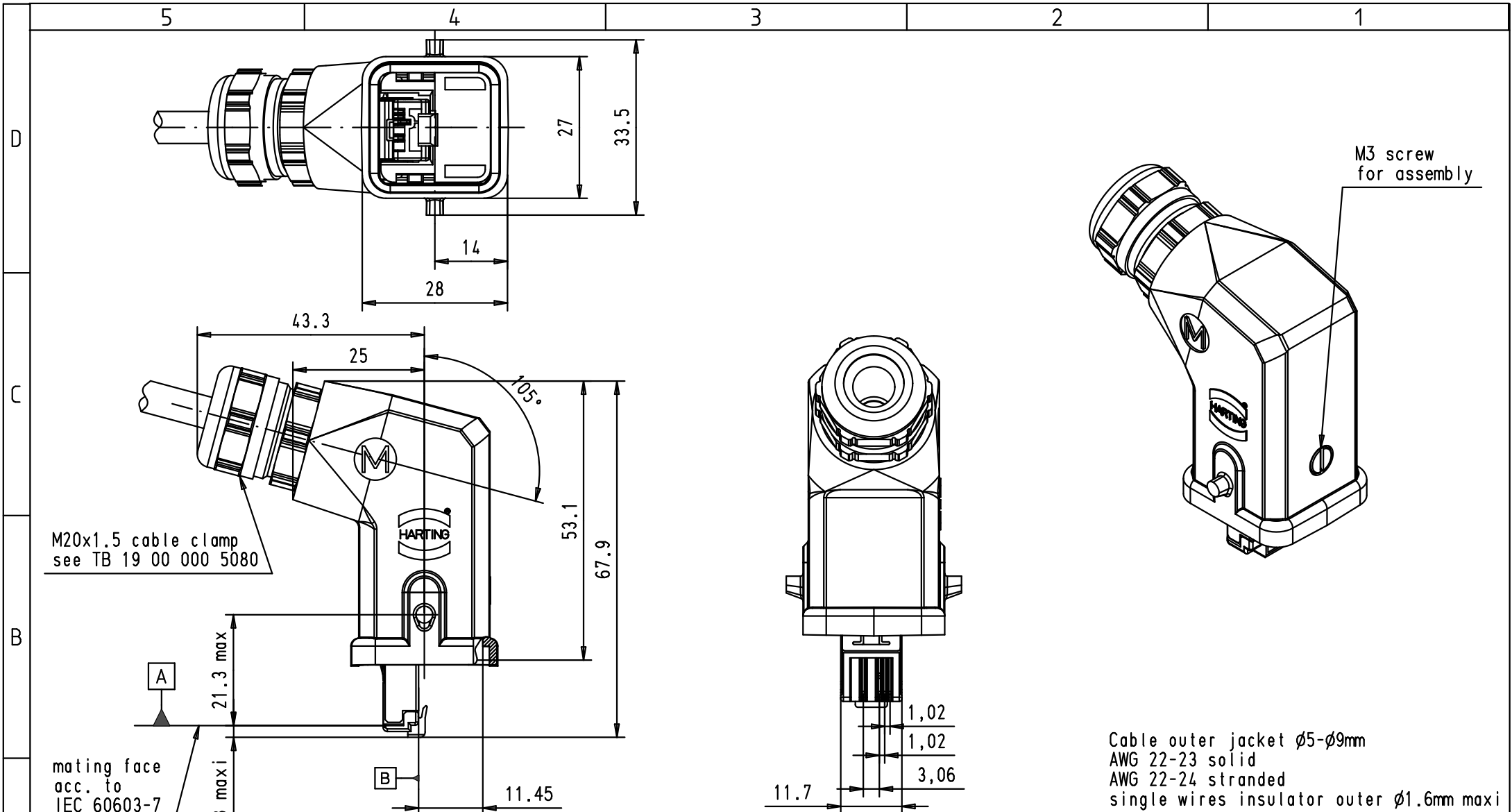
Contact us

Tel: +86-755-8981 8866 Fax: +86-755-8427 6832



Email & Skype: info@chipsmall.com Web: www.chipsmall.com

Address: A1208, Overseas Decoration Building, #122 Zhenhua RD., Futian, Shenzhen, China





Cable outer jacket $\phi 5\text{-}\phi 9\text{mm}$
 AWG 22-23 solid
 AWG 22-24 stranded
 single wires insulator outer $\phi 1.6\text{mm}$ maxi

A				Dat.	Name	 All Dim. in mm Orig. Size DIN A 4	RJ-Industrial IP 67 metal angled Han 3A plug with 4 data cables	Moßstab/ Scale	
				Detail.	15/10/04			TR	1:1
				Insp.					
				Stand.					
			Mod.	Dat.	Name		TB 09 45 115 1104 Sub. RP 090177/205	Blatt/ Page	
			EC01089	06/01/10	AB			1	
			32240	15/10/04	TR			1	
			HARTING EURL F-95972 Paris						