



Chipsmall Limited consists of a professional team with an average of over 10 year of expertise in the distribution of electronic components. Based in Hongkong, we have already established firm and mutual-benefit business relationships with customers from,Europe,America and south Asia,supplying obsolete and hard-to-find components to meet their specific needs.

With the principle of “Quality Parts,Customers Priority,Honest Operation,and Considerate Service”,our business mainly focus on the distribution of electronic components. Line cards we deal with include Microchip,ALPS,ROHM,Xilinx,Pulse,ON,Everlight and Freescale. Main products comprise IC,Modules,Potentiometer,IC Socket,Relay,Connector.Our parts cover such applications as commercial,industrial, and automotives areas.

We are looking forward to setting up business relationship with you and hope to provide you with the best service and solution. Let us make a better world for our industry!



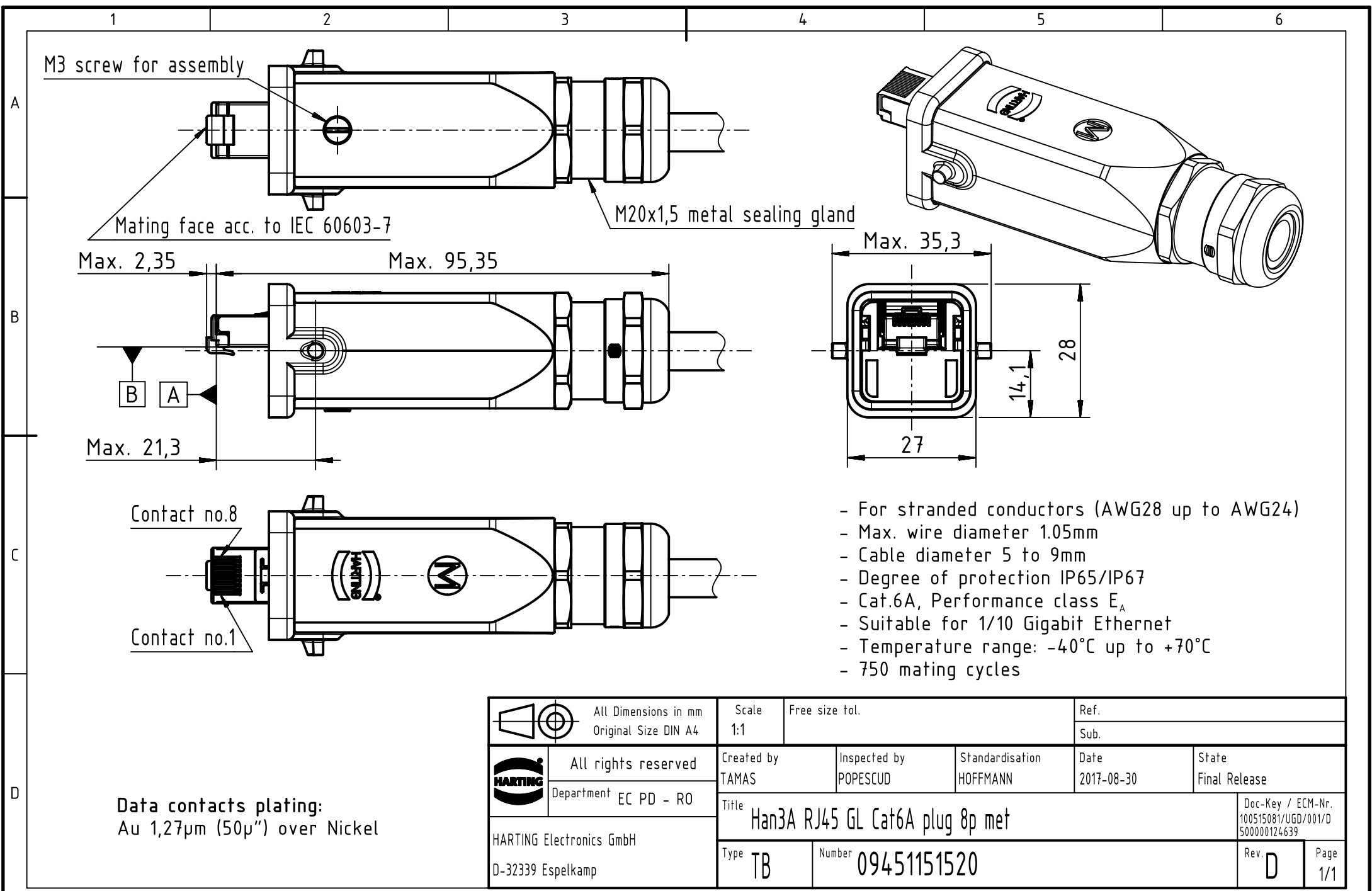
Contact us

Tel: +86-755-8981 8866 Fax: +86-755-8427 6832

Email & Skype: info@chipsmall.com Web: www.chipsmall.com


Address: A1208, Overseas Decoration Building, #122 Zhenhua RD., Futian, Shenzhen, China





- For stranded conductors (AWG28 up to AWG24)
- Max. wire diameter 1.05mm
- Cable diameter 5 to 9mm
- Degree of protection IP65/IP67
- Cat.6A, Performance class E_A
- Suitable for 1/10 Gigabit Ethernet
- Temperature range: -40°C up to +70°C
- 750 mating cycles

Data contacts plating:
Au 1,27µm (50µ") over Nickel

	All Dimensions in mm Original Size DIN A4		Scale 1:1	Free size tol.		Ref.
	All rights reserved Department EC PD - RO		Created by TAMAS	Inspected by POPESCUD	Standardisation HOFFMANN	Sub.
HARTING Electronics GmbH D-32339 Espelkamp		Title Han3A RJ45 GL Cat6A plug 8p met			Date 2017-08-30	State Final Release
		Type TB	Number 09451151520		Doc-Key / ECM-Nr. 100515081/UGD/001/D 500000124639	Rev. D Page 1/1