



Chipsmall Limited consists of a professional team with an average of over 10 year of expertise in the distribution of electronic components. Based in Hongkong, we have already established firm and mutual-benefit business relationships with customers from,Europe,America and south Asia,supplying obsolete and hard-to-find components to meet their specific needs.

With the principle of “Quality Parts,Customers Priority,Honest Operation,and Considerate Service”,our business mainly focus on the distribution of electronic components. Line cards we deal with include Microchip,ALPS,ROHM,Xilinx,Pulse,ON,Everlight and Freescale. Main products comprise IC,Modules,Potentiometer,IC Socket,Relay,Connector.Our parts cover such applications as commercial,industrial, and automotives areas.

We are looking forward to setting up business relationship with you and hope to provide you with the best service and solution. Let us make a better world for our industry!



## Contact us

Tel: +86-755-8981 8866 Fax: +86-755-8427 6832

Email & Skype: info@chipsmall.com Web: www.chipsmall.com

Address: A1208, Overseas Decoration Building, #122 Zhenhua RD., Futian, Shenzhen, China



5

4

3

2

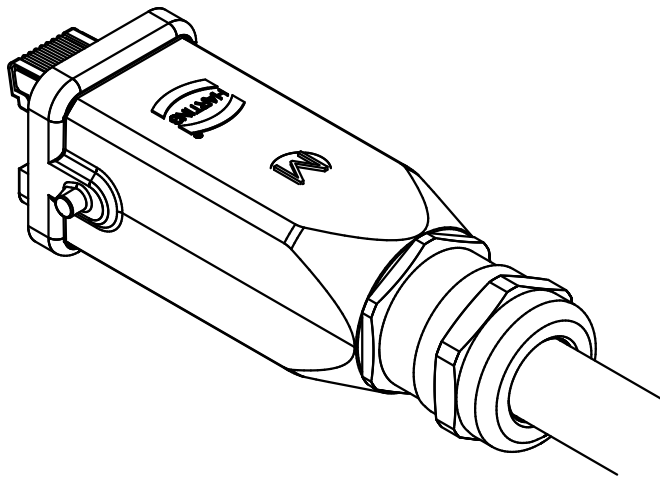
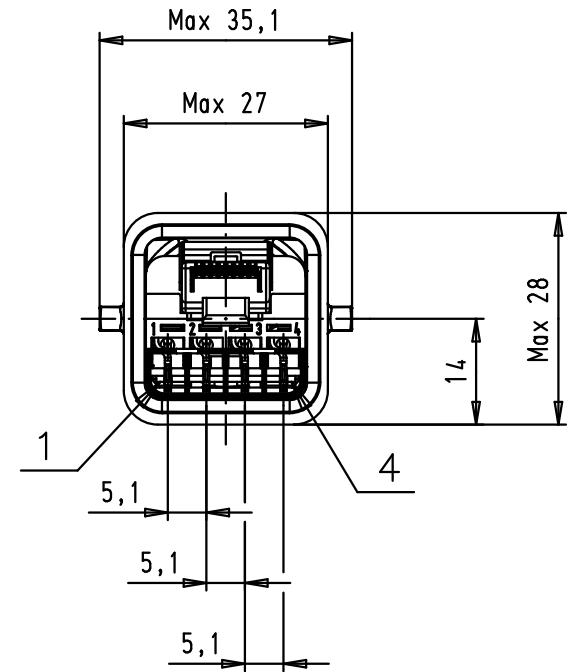
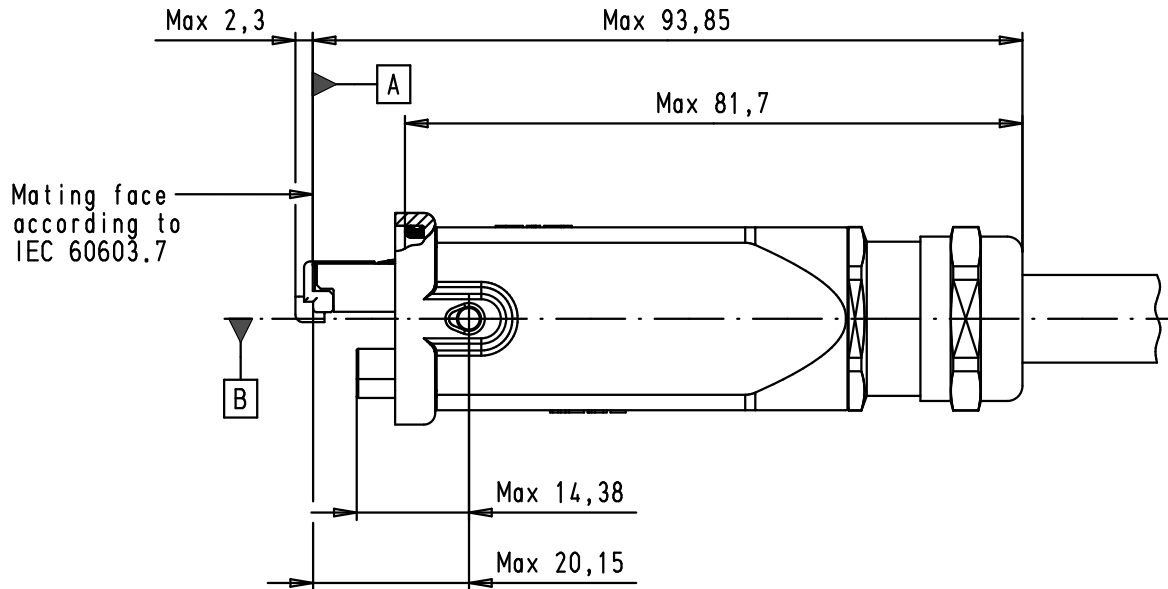
1

D

C

B

A



Plating : -Data contacts : Au 1,27  $\mu\text{m}$  over Nickel  
 -Power contacts : Ag 5  $\mu\text{m}$  over Nickel

					Dot.	Name		
					Detail.	17/04/09		PK
					Insp.	22/02/12		JMV
					Stand.			

RJ INDUSTRIAL  
 IP67 hybrid plug  
 metal HAN 3A shielded with  
 8 data and 4 power contacts

Maßstab/  
 Scale  
 1:1

09 45 115 1710	Data connector with blue wires manager	36289	22/02/12	SD
09 45 115 1700	Data connector with white wires manager	EC00330	17/04/09	PK
Part number	Wires manager colour	Mod.	Dat.	Name

HARTING EURL  
 F-95972 Paris



TB 09 45 115 17X0  
 Sub.

Blatt/ Page  
 1 / 1