



Chipsmall Limited consists of a professional team with an average of over 10 year of expertise in the distribution of electronic components. Based in Hongkong, we have already established firm and mutual-benefit business relationships with customers from,Europe,America and south Asia,supplying obsolete and hard-to-find components to meet their specific needs.

With the principle of “Quality Parts,Customers Priority,Honest Operation,and Considerate Service”,our business mainly focus on the distribution of electronic components. Line cards we deal with include Microchip,ALPS,ROHM,Xilinx,Pulse,ON,Everlight and Freescale. Main products comprise IC,Modules,Potentiometer,IC Socket,Relay,Connector.Our parts cover such applications as commercial,industrial, and automotives areas.

We are looking forward to setting up business relationship with you and hope to provide you with the best service and solution. Let us make a better world for our industry!



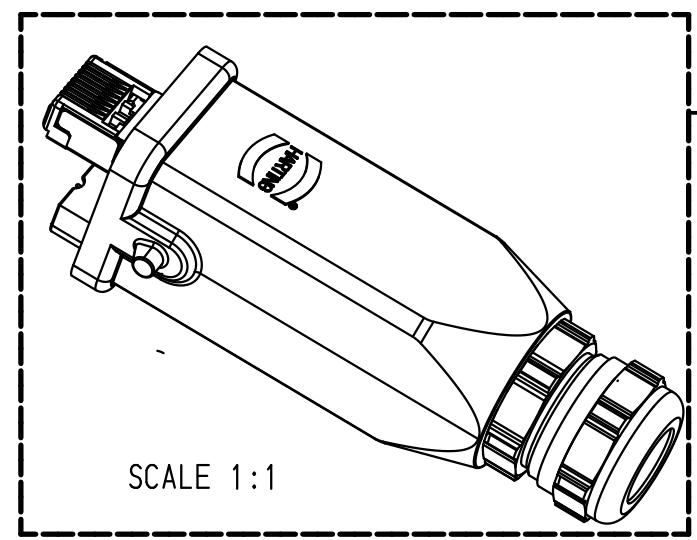
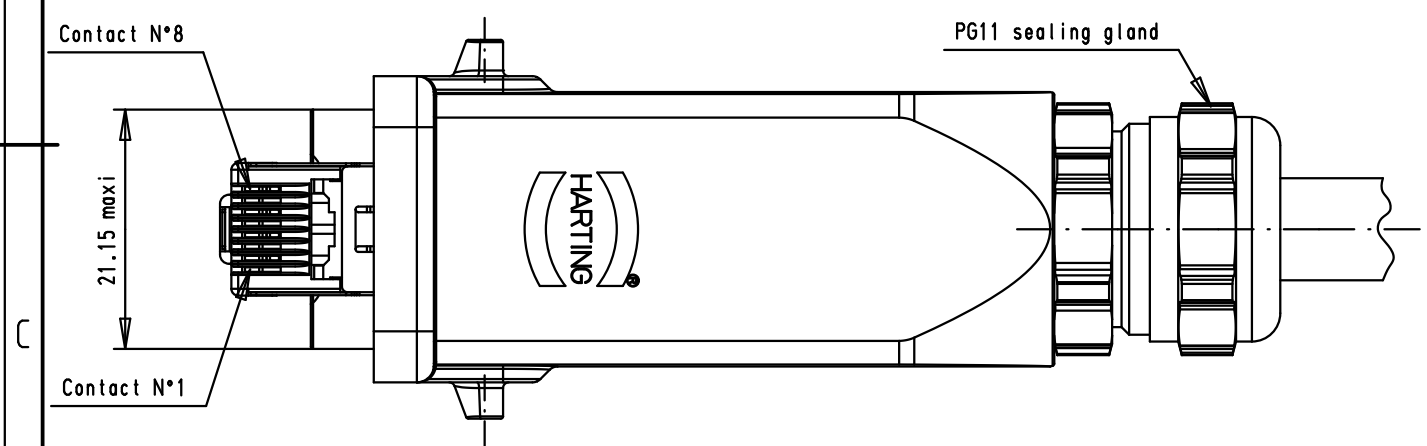
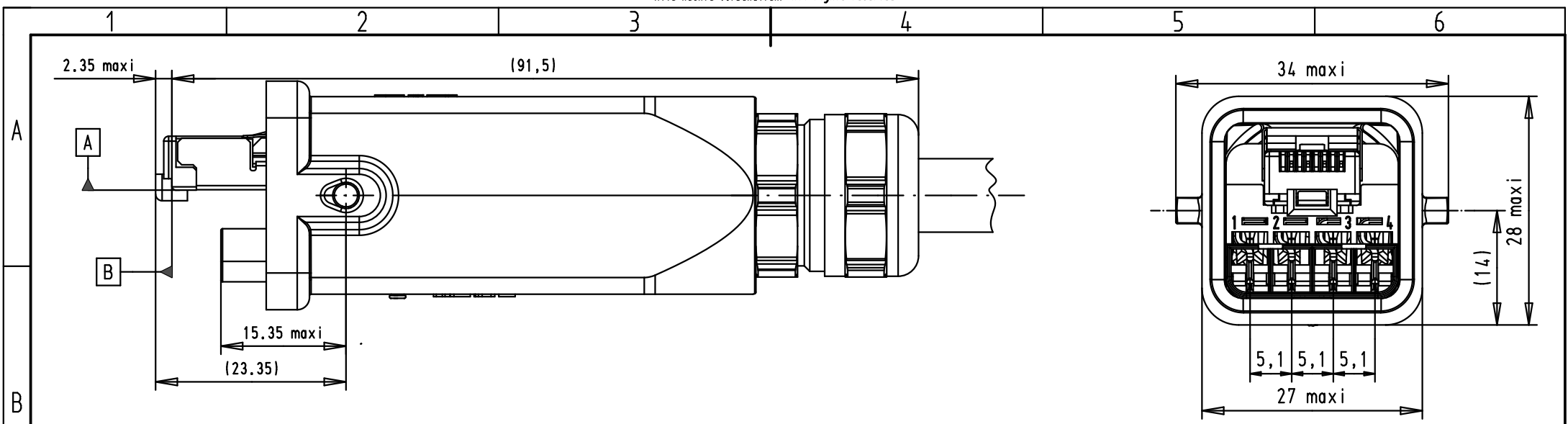
## Contact us

Tel: +86-755-8981 8866 Fax: +86-755-8427 6832

Email & Skype: info@chipsmall.com Web: www.chipsmall.com

Address: A1208, Overseas Decoration Building, #122 Zhenhua RD., Futian, Shenzhen, China





-For solid and stranded conductors  
 AWG 27 up to AWG 22  
 -Max. wire diameter 1.5mm  
 -Cable diameter 6 - 12mm  
 -Degree of protection IP65/IP67  
 -Cat. 6 performance class EA  
 suitable for 1/10 Gigabit Ethernet  
 -Temperature range -40°C up to +70°C  
 -750 mating cycles

Data contact plating: Au 1.27µm (50µ") over nickel

			Dot.	Name	<p>All Dim. in mm Orig. Size DIN A 4</p>	Maßstab/ Scale 1,5:1
		Detail.	03/05/10	AB		
		Insp.				
		Stand.				
36074	03/05/10	AB	HARTING EURL F-95972 Paris			TB 09 45 115 1760 Sub.
Mod.	Dot.	Name				