



Chipsmall Limited consists of a professional team with an average of over 10 year of expertise in the distribution of electronic components. Based in Hongkong, we have already established firm and mutual-benefit business relationships with customers from,Europe,America and south Asia,supplying obsolete and hard-to-find components to meet their specific needs.

With the principle of “Quality Parts,Customers Priority,Honest Operation,and Considerate Service”,our business mainly focus on the distribution of electronic components. Line cards we deal with include Microchip,ALPS,ROHM,Xilinx,Pulse,ON,Everlight and Freescale. Main products comprise IC,Modules,Potentiometer,IC Socket,Relay,Connector.Our parts cover such applications as commercial,industrial, and automotives areas.

We are looking forward to setting up business relationship with you and hope to provide you with the best service and solution. Let us make a better world for our industry!



Contact us

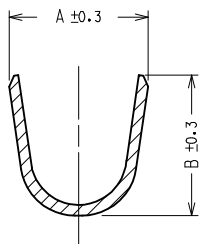
Tel: +86-755-8981 8866 Fax: +86-755-8427 6832

Email & Skype: info@chipsmall.com Web: www.chipsmall.com

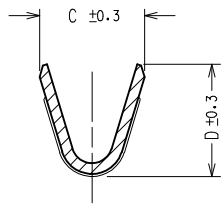
Address: A1208, Overseas Decoration Building, #122 Zhenhua RD., Futian, Shenzhen, China



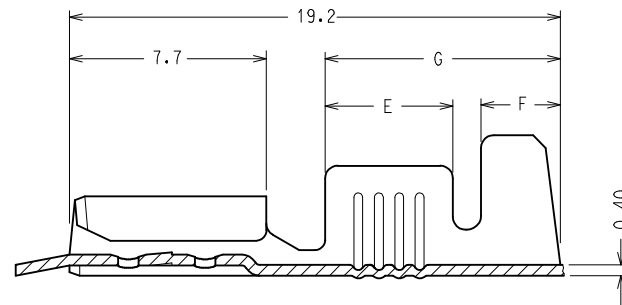
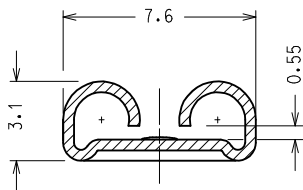
SEZIONE C - C



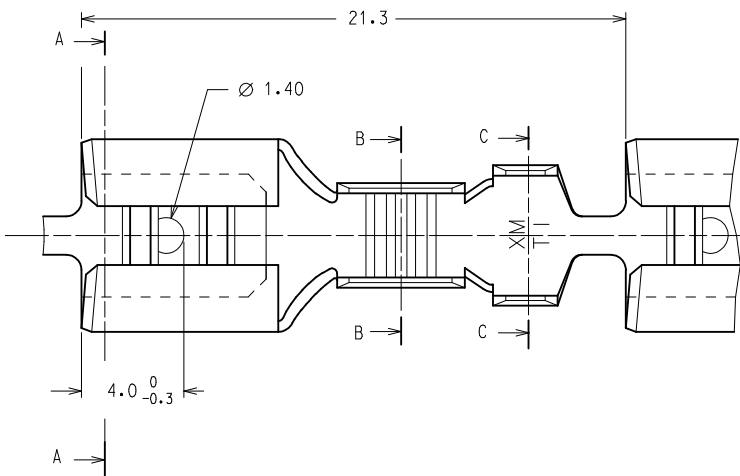
SEZIONE B - B



SEZIONE A - A



CODICE P/N	FINITURA PLATING	MATERIALE MATERIAL	SEZ. RAME WIRE RANGE (mm ²)	φ ISOLANTE INS. RANGE (mm)	DIMENSIONI / DIMENSION (mm)								PZ/BOBINA PCS/REEL	S.P.Q.
					A	B	C	D	E	F	G			
94512-0000	GREGGIO/ UNPLATED	OTTONE/ BRASS	0.2 ↔ 0.5	1.2 ↔ 2.1	3.0	2.9	2.3	2.3	3.1	1.8	6.3	7.000	21.000	
94512-0001	STAGNATO/ TIN	OTTONE/ BRASS												
94512-0100	GREGGIO/ UNPLATED	OTTONE/ BRASS												
94512-0101	STAGNATO/ TIN	OTTONE/ BRASS												
94512-0111	NICHELATO/ NICKEL	ACCIAIO/ STEEL	0.5 ↔ 1.0	2.0 ↔ 3.3	4.5	4.5	3.0	3.0	4.2	2.4	8.2	7.000	21.000	
94512-0130	GREGGIO/ UNPLATED	ALPACCA/ PACKFONG												
94512-0200	GREGGIO/ UNPLATED	OTTONE/ BRASS												
94512-0201	STAGNATO/ TIN	OTTONE/ BRASS												
94512-0211	NICHELATO/ NICKEL	ACCIAIO/ STEEL	1.0 ↔ 2.5	2.7 ↔ 4.3	5.5	5.5	4.1	4.3	5.0	3.1	9.1	6.000	18.000	
94512-0230	GREGGIO/ UNPLATED	ALPACCA/ PACKFONG												
94512-0301	STAGNATO/ TIN	OTTONE/ BRASS												
94512-0311	NICHELATO/ NICKEL	ACCIAIO/ STEEL	2.5 ↔ 6.0	3.8 ↔ 5.1	6.0	6.4	5.4	5.6	5.0	3.1	9.1	5.000	15.000	



Confezione Standard: 3 Bobine x Scatola

Caratteristiche di Prodotto secondo PS 94512-002

Packaging: 3 Reels x Box

Product Characteristics according to PS 94512-002

Std. Descr.: HRT FEM TERM [material] [plating] [wire range]

Updated note EC NO: Z2015-0006 TD: DRWNL: SANTIÉS 2014/07/18 CHKD: L: SANTIÉS 2014/07/18 APPR: PZANGIROLAMI/2014/07/18	QUALITY SYMBOLS FA=0 FG=0 FP=0	GENERAL TOLERANCES (UNLESS SPECIFIED)		DIMENSION STYLE MM ONLY		SCALE 0.2	DESIGN UNITS METRIC	FIRST ANGLE PROJECTION	
		mm	INCH	DRAWN BY	DATE	TITLE			
		4 PLACES ± ---	± ---	F. GOTTARDO	1989-12-01	HIGH RELIABILITY FEMALE TERMINAL 6.3 X 0.8			
		3 PLACES ± ---	± ---	CHECKED BY	DATE	molex			
2 PLACES ± 0.1	± ---	M. PREVIATO	1989-12-01	DOCUMENT NO. SD-94512-004			SHEET NO. 1 OF 1		
1 PLACE ± 0.2	± ---	APPROVED BY	DATE	See chart					
0 PLACE ±	±	R. MARTUCCI	1989-12-01	THIS DRAWING CONTAINS INFORMATION THAT IS PROPRIETARY TO MOLEX INCORPORATED AND SHOULD NOT BE USED WITHOUT WRITTEN PERMISSION					
ANGULAR ± 2 ° DRAFT WHERE APPLICABLE MUST REMAIN WITHIN DIMENSIONS		MATERIAL NO.		SIZE A3					