

Chipsmall Limited consists of a professional team with an average of over 10 year of expertise in the distribution of electronic components. Based in Hongkong, we have already established firm and mutual-benefit business relationships with customers from,Europe,America and south Asia,supplying obsolete and hard-to-find components to meet their specific needs.

With the principle of “Quality Parts,Customers Priority,Honest Operation,and Considerate Service”,our business mainly focus on the distribution of electronic components. Line cards we deal with include Microchip,ALPS,ROHM,Xilinx,Pulse,ON,Everlight and Freescale. Main products comprise IC,Modules,Potentiometer,IC Socket,Relay,Connector.Our parts cover such applications as commercial,industrial, and automotives areas.

We are looking forward to setting up business relationship with you and hope to provide you with the best service and solution. Let us make a better world for our industry!

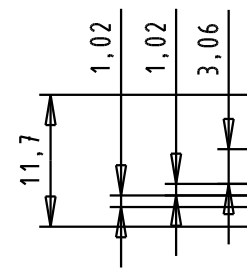
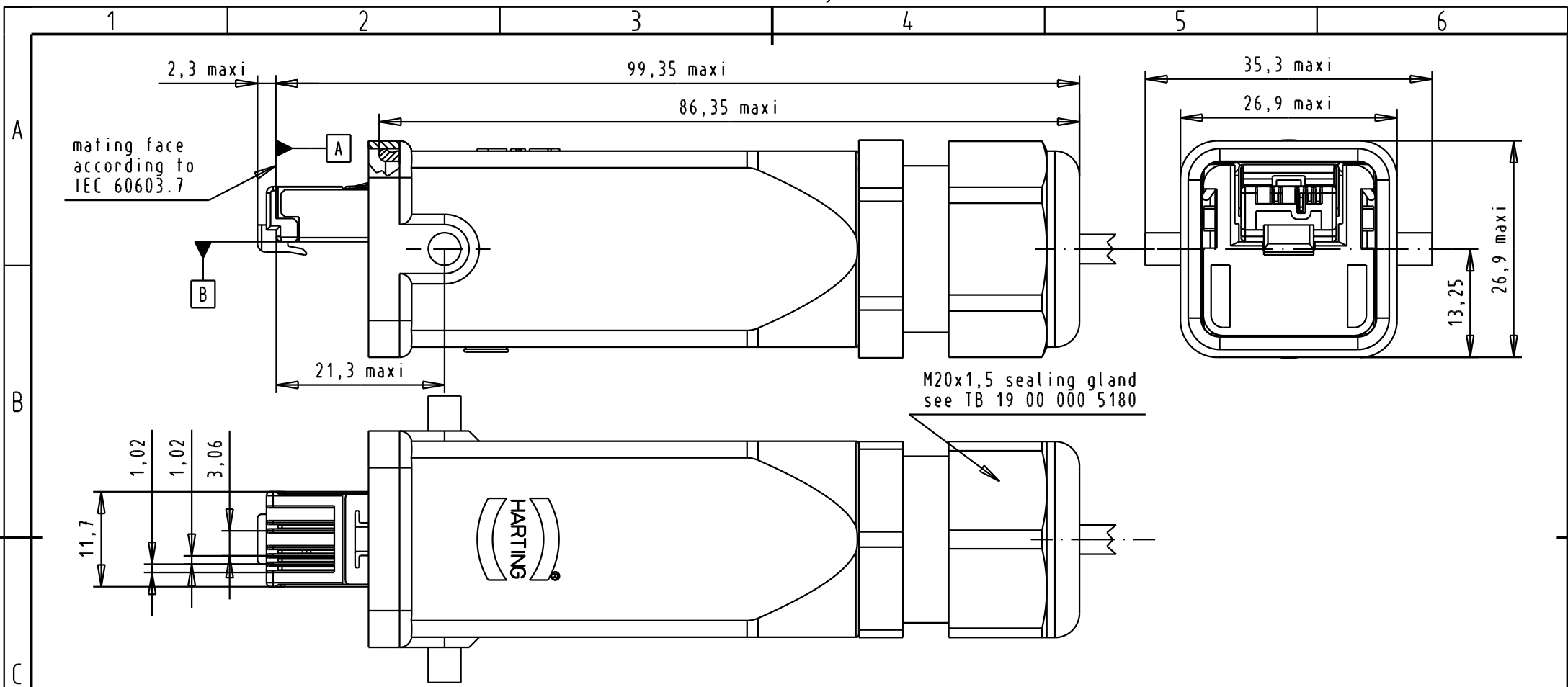


Contact us

Tel: +86-755-8981 8866 Fax: +86-755-8427 6832

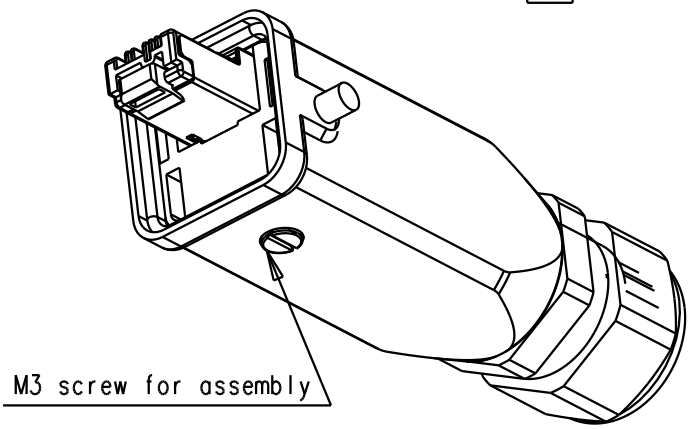
Email & Skype: info@chipsmall.com Web: www.chipsmall.com

Address: A1208, Overseas Decoration Building, #122 Zhenhua RD., Futian, Shenzhen, China

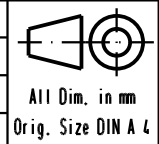


M20x1,5 sealing gland
see TB 19 00 000 5180

Cable diameter 6,5mm
awg 22-23 solid
awg 22-24 stranded
with wires O.D maxi 1,6mm



data contact		performance level	
Au: 1.27µm over Ni		1	
		Dat.	Name
		Detail.	11/03/03 P.P.
		Insp.	
		Stand.	
32710	10/02/05	A.L.	
31394	11/03/03	P.P.	
Mod.	Dat.	Name	HARTING EURL F-95972 Paris



All Dim. in mm
Orig. Size DIN A 4

RJ INDUSTRIAL
IP67 thermoplastic
HAN 3A Plug
4 datas cable

Maßstab/
Scale
1.5:1



TB 09 45 125 11 00

Blatt/ Page

Sub.